

# energy efficient ventilation

Meet our HERU IQ® family. Our range of high performing Air Handling Units with energy recovery includes products for all kinds of homes, schools, offices and small size public & commercial facilities. A healthy indoor environment with maximum comfort and minimum energy consumption is achieved by controlled ventilation with energy recovery.

HERU IQ® supplies the building with fresh tempered, filtered and clean air. HERU IQ® recovers up to 86% of the energy from the exhausted air.

Through its award-winning design, the Air Handling Units meets the requirements of high efficiency, low power consumption, quiet operation and high reliability.

Quality has always been an essential part of H. Östberg AB. The company is certified according to the quality and environment standards ISO 9001 and ISO 14001. These strict demands guarantee efficient and rational production of high standard products.

All our Air Handling Units are tested before delivery, which secure the high quality of the production. The indoor air quality directly affects the way we feel, not only physically but also spiritually. Therefore, use Östberg quality products to achieve a fresh and healthy indoor climate with energy efficient ventilation.



Air Handling Units for residential, commercial and public environments



Compact Combi Unit for Heating and Ventilation of private Villas

© H. Östberg AB, Avesta, Sweden, 2018. All rights reserved.

No parts of this catalogue may be reproduced or transmitted in any form or by any mean, without the written permission of H. Östberg AB. H. Östberg AB reserves the right to make changes without further notice, and for any printing errors.



Östberg supplies energy efficient and high performance ventilation products for a fresh and healthy indoor climate, wherever people live, work or play. Founded in Sweden in the early 1980s, Östberg has grown into a leading global supplier of duct fans and energy efficient air treatment units – with product sales in over 75 countries.

# healthy indoor climate

## FLEXIBLE AND CUSTOMISED

Consistent customer focus and great flexibility play key roles in Östberg's business concept. We consider it of particular importance to create a truly world-class indoor environment with the lowest possible energy consumption and sound levels. Our comprehensive product range features units that can handle airflows from 50 litres to 1.2 cubic metres per second.

All our products are CE-labelled for EU, EFTA and EEA markets, and we place great emphasis on making them simple to install and to use.

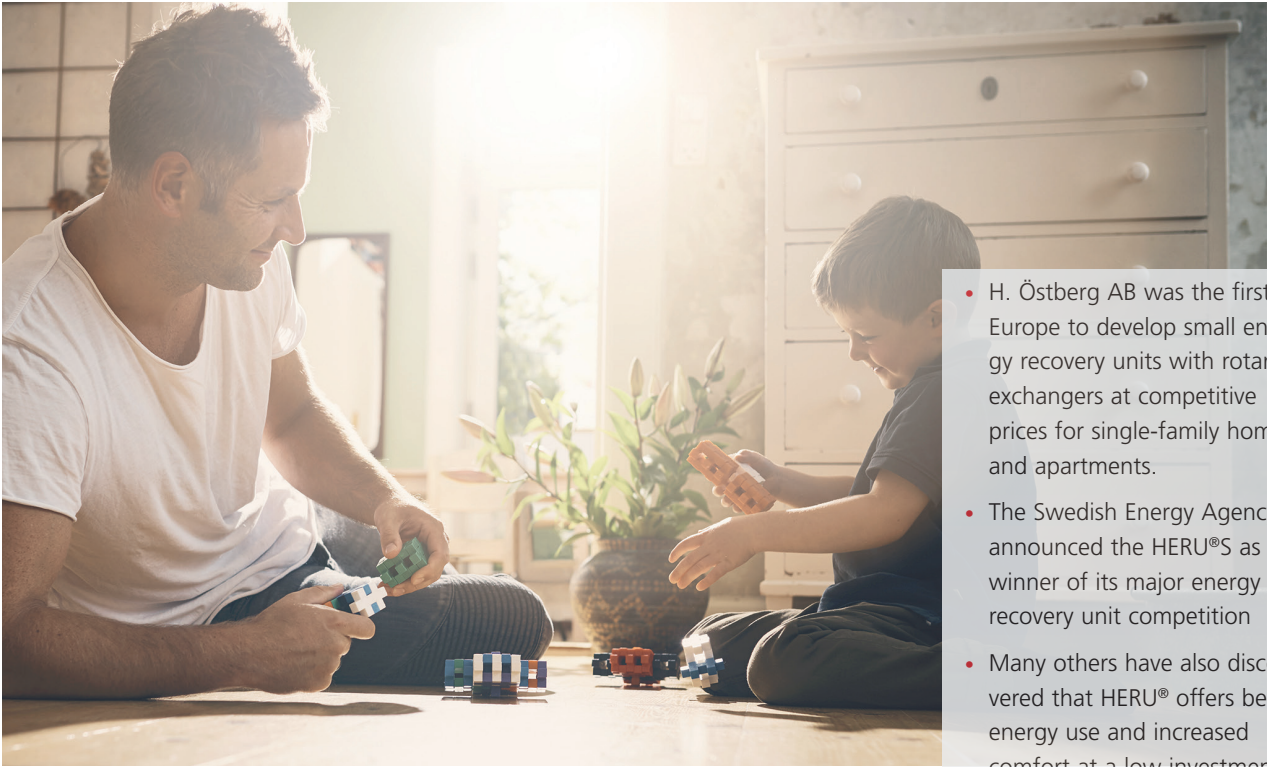
## RESEARCH AND PRODUCT DEVELOPMENT

To maintain and grow the position as a leading technical supplier of high end quality products, Östberg continuously invests heavily in innovation and product development. Our ideas for product development arise from collaborations with our customers, innovations by our technical experts and from our desire to create even better indoor climates. In our efforts to continuously develop our products, we perform numerous tests and measurements – all in order to meet our customers needs and provide healthier air using energy efficient fans and ventilation products at competitive prices.

## QUALITY ASSURED PRODUCTS

Östberg upholds the highest standards for production, with secure quality controls monitoring each product throughout the entire manufacturing process. The company is certified according to the quality and environment standards ISO 9001 and ISO 14001. Östberg is headquartered in Sweden with branches in many countries all over the world.

By choosing an Östberg product you invest in long-lasting quality products powered by innovation.



- H. Östberg AB was the first in Europe to develop small energy recovery units with rotary exchangers at competitive prices for single-family homes and apartments.
- The Swedish Energy Agency announced the HERU®S as the winner of its major energy recovery unit competition
- Many others have also discovered that HERU® offers better energy use and increased comfort at a low investment cost.
- HERU®'s high temperature efficiency also applies at below-freezing temperatures, setting it apart from cross- or counter-current plate heat exchangers, which require defrosting or reduction of supply air through the exchanger so it don't freeze up. Defrosting reduces efficiency by 5-10% according to the Technical Research Institute of Sweden and requires extra energy to heat the supply air that doesn't pass through the exchanger.
- A comparison should also be made here with extract air heat pumps, in which 100% of the supply air must be heated by the building's heating system.
- HERU® is ideal for e.g. passive houses, where the goal is to have the absolute minimum installed power, especially for heating.

## CLEAN INDOOR AIR AND OPTIMAL COMFORT

**Controlled ventilation with energy recovery gives you a healthy indoor climate with the highest comfort and the lowest energy consumption.**

Many apartments and small houses have insufficient ventilation. Poor indoor air leads to allergies and respiratory problems. It saps your energy and impairs your ability to concentrate.

Heating costs are constantly rising. Because of this, many buildings have been sealed in recent decades in order to reduce energy consumption. But the consequences of this are, among other things, moisture and mould.

HERU® supplies your home with filtered, fresh and clean air while utilizing the heat (or cold) in the used extract air. This results in the lowest possible heating costs for you.

# HERU® ENERGY RECOVERY UNIT

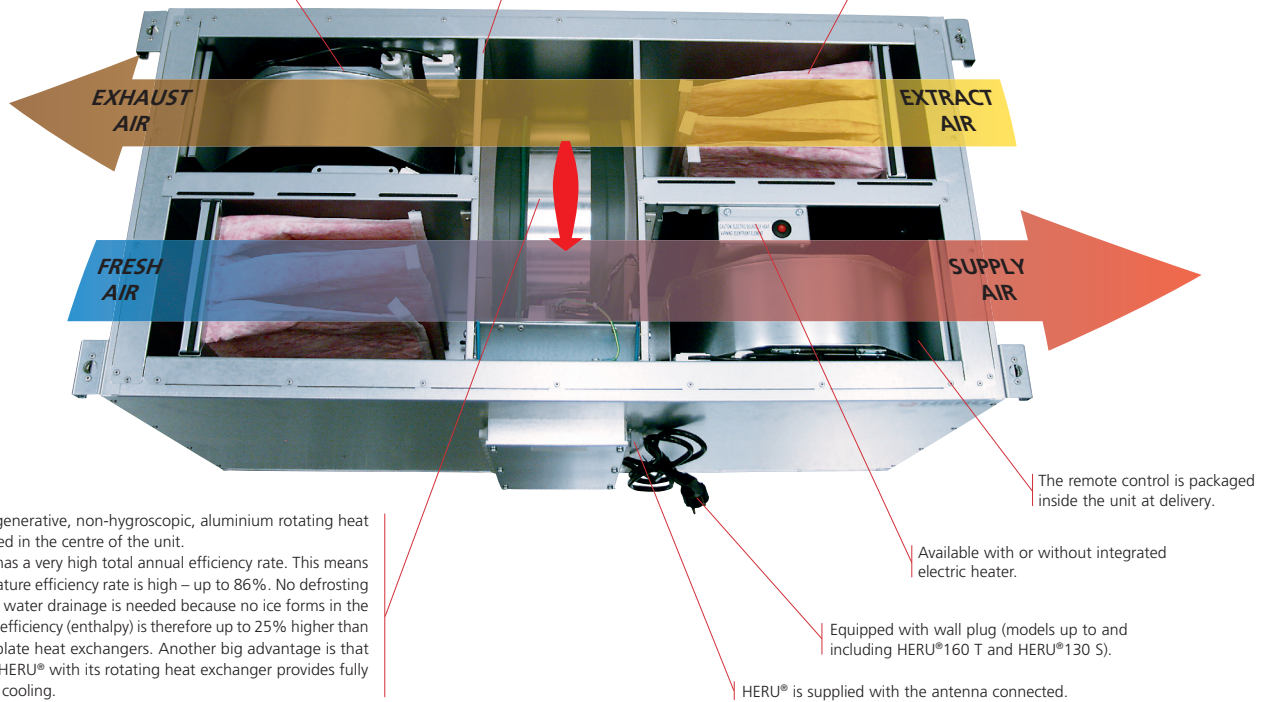
**HERU® is designed for supply and extract air ventilation with energy recovery (FTX).**

**HERU® has been tested at HLK Stuttgart in accordance with EN 13141-7 and recovers up to 86% of the energy that is otherwise lost in conventional ventilation, such as natural draught or extract air ventilation.**

Airflow is generated by two silent radial fans with EC or AC motors. HERU® with EC motors can reduce the fans' energy use by up to 70% in comparison with conventional AC motors. The fans are connected with quick connectors and are very easy to remove for cleaning.

**Unique design** minimizes all thermal bridges. The sealing properties of HERU® have been tested. External leakage meets class A1. Internal leakage was measured at 2.6% and meets class C3.

HERU® have filters ISO ePM1 as standard, for both exhaust and supply air. Is suitable for installation in apartments, small houses, offices and other premises requiring the highest efficiency, low energy use (SFP), low sound levels, high operating reliability and, of course, clean indoor air.

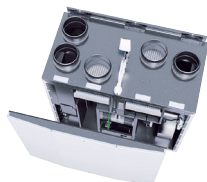


HERU® has a regenerative, non-hygroscopic, aluminium rotating heat exchanger located in the centre of the unit. This exchanger has a very high total annual efficiency rate. This means that the temperature efficiency rate is high – up to 86%. No defrosting or condensation water drainage is needed because no ice forms in the exchanger. Total efficiency (enthalpy) is therefore up to 25% higher than for all types of plate heat exchangers. Another big advantage is that in the summer, HERU® with its rotating heat exchanger provides fully automatic night cooling.

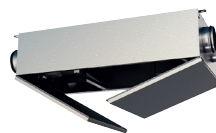
## HERU® available in 4 models: K, T, LP och S.



**HERU®K KITCHEN UNIT WITH INTEGRATED COOKER HOOD**  
Designed to be placed above the cooker hood. Ventilates the entire home and also effectively captures fumes from the cooker hood. Removes food odours, fumes and steam from the kitchen while you're cooking.



**HERU®T TOP CONNECTED UNIT**  
The smaller HERU®62–250 T can be placed in warm spaces, such as laundry rooms. The larger HERU®400–1200 T can be placed in both warm and cool spaces. HERU®62–160 T are constructed of white painted galvanized steel sheet. HERU®200–1200 T are constructed of zinc aluminium.



**HERU®LP SIDE CONNECTED UNIT WITH LOW PROFILE**  
Perfect for cramped or narrow spaces and can be advantageously placed above a false ceiling. Made of double galvanized steel with insulation between.



**HERU®S SIDE CONNECTED UNIT**  
HERU®50–250 S are constructed of double-layer galvanized steel sheet with 50 mm insulation in between, and comes unpainted. Can be placed in warm or cold areas, such as in the attic. HERU®400–1200 are made from aluminium-zinc-plated steel with 50 mm insulation.

## HERU® CAN BE CONTROLLED IN SEVERAL WAYS

**HERU® 62–250 can be easily controlled using the remote control supplied with the unit.  
For HERU®400–1200, we offer the Siemens Climatix control system.  
All HERU® units are prepared for Modbus communication via RS485.**



FOR EASY HANDLING, HERU®62–250 are remote controlled using the wireless control unit, which has a range of up to 50 metres and works through walls and ceilings.

The remote control is used to set all parameters for the control functions. It also provides information on current status and alarms.

HERU®400-1200 is available with Siemens Climatix for many functions and communication options. The control and regulation system sends prompt alarms if the unit stops and for other unforeseen events.

- We have chosen Modbus communication for HERU® because it is a global standard, easy to implement in its own systems and offers many options for configuration with other systems.
- Modbus offers a number of options for communication. These range from a single computer monitoring one unit, to a complete BMS system monitoring an entire building or several buildings at the same time.



## EASY INSTALLATION AND SERVICE

**HERU® is easy to install and maintain. You can quickly enjoy the benefits of the best possible comfort, highest air quality and lowest possible heating costs.**

### INSTALLATION

Regular spiral ducts are routed from the various rooms: extract air ducts from the kitchen and bathrooms, supply air ducts to the living room and bedrooms.

HERU® 62-250 T can be placed in warm spaces, such as laundry rooms, storage rooms or utility rooms. On some HERU® T models, the extract air duct from the cooker hood can be connected to a separate sleeve coupling at the top of the unit. This air does not pass through the heat exchanger, but instead goes via the fan directly into the exhaust air duct.

Other HERU® models can be placed in warm or cool areas.

### LONG SERVICE LIFE WITH WARRANTY

HERU® was developed and produced in Sweden for nordic conditions. We have many years of experience manufacturing small energy recovery units with rotary heat exchangers. All components in the unit are of the highest possible quality, which paves the way for many years of trouble-free operation.

HERU® is virtually maintenance-free. All you need to do is change the filter once or twice a year, depending on the location of the building. If a filter of the stipulated quality is used and no cooker hood is connected, the fans and heat exchanger never need to be cleaned.

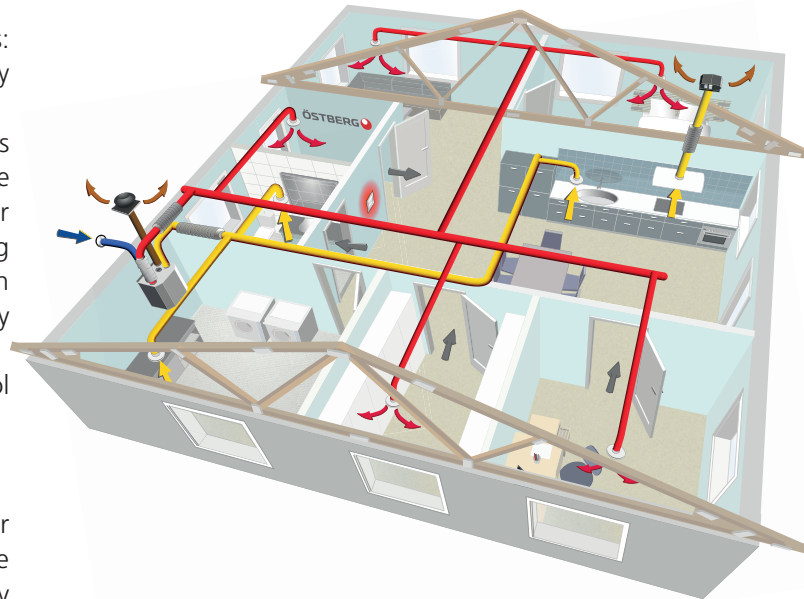
All HERU® models should have continuous operation, provided that accessories/equipment (such as filters) from the H. Östberg AB range are used for warranty validity.

### FILTER CHANGE

HERU® have filters ISO ePM1 as standard, for both extract and supply air. The filter should be changed when the alarm is triggered.

### SERVICE AND CLEANING

HERU® airflow is generated by two silent radial fans with the absolute highest efficiency and quality on the market. The fans are connected with quick connectors and are very easy to remove. The heat exchanger can also be removed.



- Place the remote control somewhere you easily can check the unit's current status.
- HERU® supplies your house with filtered, fresh and clean air while recovering the heat (or cold) in the used extract air.
- Temperate fresh air is distributed throughout your home where it is most needed – in the bedrooms and living room – without the cold draughts that often occur with conventional ventilation, including extract air heat pumps. At the same time, the used air is extracted from the kitchen, bathroom and other high-moisture areas.



## ENERGY RECOVERY UNITS

|   |           |
|---|-----------|
| <b>HERU®K</b> .....   | <b>12</b> |
| Kitchen unit with energy recovery for installation above the kitchen stove.<br>HERU®K is available with EC motors.<br>Airflows up to 325 m <sup>3</sup> /h (0.9 m <sup>3</sup> /s). |           |
| <b>HERU®T</b> .....   | <b>14</b> |
| Unit with energy recovery and top connections.<br>HERU®T is available with AC and EC motors.<br>Airflows up to 4300 m <sup>3</sup> /h (1.2 m <sup>3</sup> /s).                      |           |
| <b>HERU®LP</b> .....  | <b>36</b> |
| Low profile unit with energy recovery and side connections.<br>HERU®LP is available with EC motors.<br>Airflows up to 375 m <sup>3</sup> /h (0.10 m <sup>3</sup> /s).               |           |
| <b>HERU®S</b> .....   | <b>40</b> |
| Unit with energy recovery and side connections.<br>HERU®S is available with AC and EC motors.<br>Airflows up to 4300 m <sup>3</sup> /h (1.2 m <sup>3</sup> /s).                     |           |

## SUPPLY AIR UNITS

|  |           |
|--|-----------|
| <b>SAU</b> .....   | <b>62</b> |
| SAU supply air unit is designed to provide a comfortable indoor climate with controlled heating and clean, filtered air.<br>SAU is available with AC and EC motors.<br>Airflows up to 1000 m <sup>3</sup> /h (0.28 m <sup>3</sup> /s). |           |

## ACCESSORIES

|   |    |
|---|----|
| <b>HERU® ACCESSORIES</b>                |    |
| FILTER.....                             | 82 |
| FEET - NOVIBRA MATS - FLOOR STAND ..... | 83 |
| CEILING MOUNTING PLATE .....            | 83 |
| FRONT COVER .....                       | 83 |
| OUTSIDE WALL HOOD.....                  | 84 |
| CONTROL KIT .....                       | 85 |
| CONTROL SYSTEM SIEMENS CLIMATIX.....    | 85 |
| HEATERS .....                           | 86 |
| COOLING COILS.....                      | 86 |
| RELAY PUMP CONTROL.....                 | 86 |
| PRESSURE SENSOR KIT .....               | 87 |
| DAMPERS.....                            | 87 |
| FLOW METERS.....                        | 87 |
| FILTER MONITORING.....                  | 87 |
| SHUNT.....                              | 87 |
| WATER TRAP .....                        | 87 |
| <b>SAU ACCESSORIES</b>                  |    |
| FILTER.....                             | 88 |
| FAN CONTROL UNITS.....                  | 88 |
| CONTROL KIT.....                        | 88 |
| REMOTE CONTROL.....                     | 89 |
| ANTENNA.....                            | 89 |
| CONTROL UNIT.....                       | 89 |
| <b>OTHERS ACCESSORIES</b>               |    |
| SENSORS.....                            | 90 |
| EXTENSION CABLE, ANTENNA .....          | 90 |
| SILENCERS.....                          | 91 |
| MOUNTING CLAMP .....                    | 91 |
| BACK DRAUGHT SHUTTERS .....             | 91 |
| SAFETY GRILLE .....                     | 91 |
| LOUVRE SHUTTER .....                    | 91 |

# ENERGY RECOVERY UNIT

## HERU®70 K EC

- Energy recovery unit designed mainly for installation above the kitchen stove.
- The HERU®Kitchen is equipped with a built-in cooker hood that will get rid of all unwanted smoke, odors and fumes from your kitchen while you are cooking.
- High efficient odor extractaion form cooker hood.
- Designed for supply and exhaust air ventilation with energy recovery.
- Suitable for installation in homes and other premises where there are stringent requirements on the indoor environment.
- High temperature efficiency 82%, low energy consumption (SFP), low sound level, high operating reliability and provides clean indoor air.
- Unique design minimizes all thermal bridges.
- For easy handling, the unit is remote-controlled using the wireless control unit for operation and monitoring.
- Comes prepared for Modbus communication via RS485 (accessory needed).

- Airflow is generated by two silent radial fans with EC motors and impellers with forward curved blades.
- The fans are connected with quick connectors and are very easy to remove for cleaning.
- A regenerative, non-hygroscopic, aluminum rotating heat exchanger located in the center of the unit. The heat exchanger can also be removed for cleaning.
- Comes with incinerable panel filters ePM1 50% as standard, for both exhaust and supply air. The filter is very easy to change.
- The cooker hood comes equipped with a dishwasher safe grease filter.
- Integrated controls for heating/cooling.
- Equipped with integrated electric heater.
- The unit is constructed from double-layer galvanized steel sheet with insulation in between.
- For placement in warm areas.
- All HERU®Kitchen units are equipped with a wall plug.

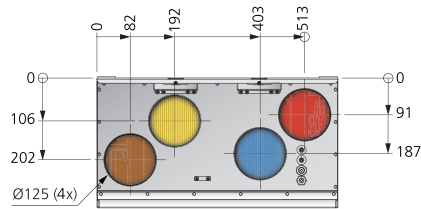
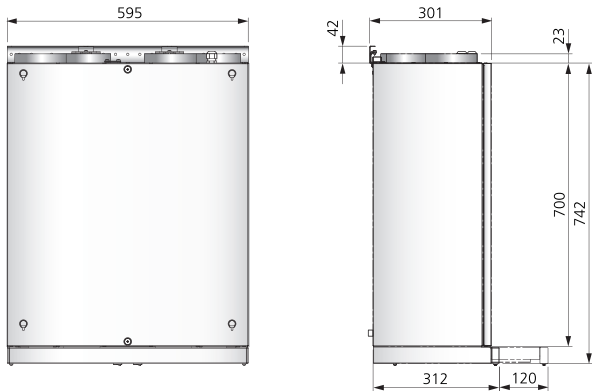
### ACCESSORIES

- Filterkit ePM1 50%
- Front cover
- Outside wall hood 160
- Remote Control with Modbus
- Pressure Sensor Kit
- Damper motor
- Carbon dioxide sensor CO2
- Humidity sensor RH
- Room sensor
- Extension cable to antenna
- Silencer LDC 125

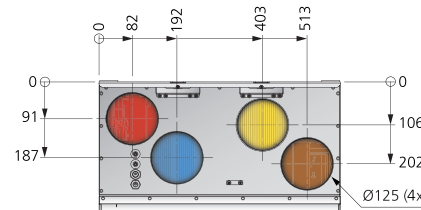
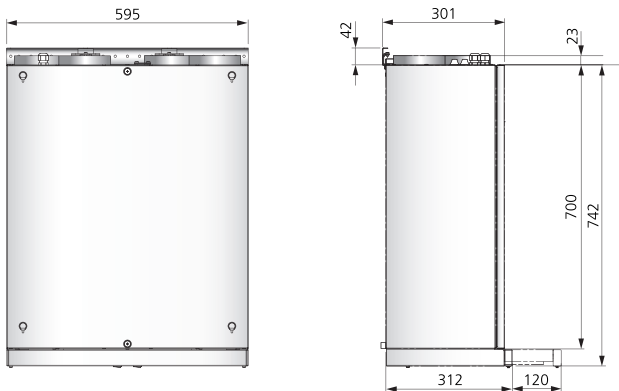


### DIMENSION (mm)

#### RIGHT-HAND DESIGN WITH BUILT-IN COOKER HOOD



#### LEFT-HAND DESIGN WITH BUILT-IN COOKER HOOD



### CONNECTIONS

- Supply air
- Extract air
- Exhaust air
- Fresh air



| Type             | Art.no. |
|------------------|---------|
| HERU®70 K EC ARW | 8010748 |
| HERU®70 K EC ALW | 8010749 |

# ENERGY RECOVERY UNIT

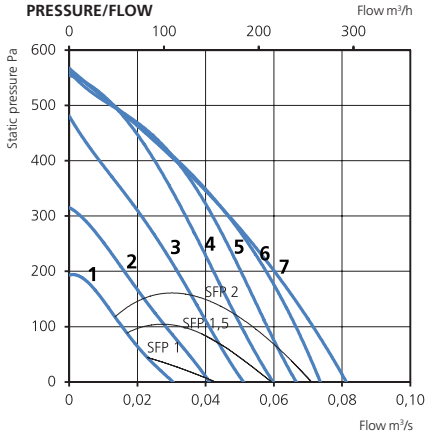
## HERU<sup>®</sup>70 K EC



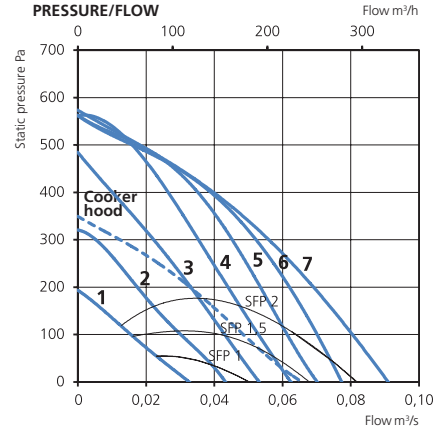
### TECHNICAL DATA

| HERU <sup>®</sup> 70 K EC          |           |
|------------------------------------|-----------|
| <b>Voltage</b>                     | 230 V     |
| <b>Frequency</b>                   | 50 Hz     |
| <b>Phase</b>                       | 1 ~       |
| <b>Current, 2 fans</b>             | 1.81 A    |
| <b>Current, heater</b>             | 3.26 A    |
| <b>Total current</b>               | 5.20 A    |
| <b>Power, 2 fans</b>               | 227 W     |
| <b>Power, heater</b>               | 750 W     |
| <b>Total power</b>                 | 1000 W    |
| <b>Speed</b>                       | 2980 rpm  |
| <b>Sound class</b>                 | 41 IP     |
| <b>Sound pressure level at 3 m</b> | 45 dB LpA |
| <b>Weight</b>                      | 48 kg     |
| <b>Wiring diagram</b>              | 4040203   |

### SUPPLY:



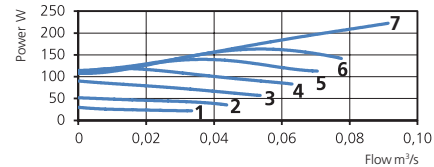
### EXTRACT:



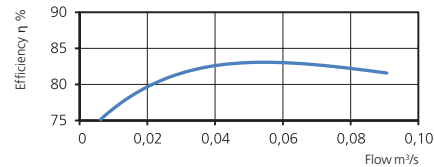
### SOUND DATA (dB)

|                     | Total (L <sub>wa</sub> ) | 63Hz | 125Hz | 250Hz | 500Hz | 1KHz | 2KHz | 4KHz | 8KHz |
|---------------------|--------------------------|------|-------|-------|-------|------|------|------|------|
| <b>10V / 68 l/s</b> |                          |      |       |       |       |      |      |      |      |
| Surrounding         | 52                       | 36   | 44    | 48    | 43    | 38   | 42   | 39   | 34   |
| Cooker hood         | 66                       | 39   | 47    | 56    | 59    | 59   | 61   | 57   | 53   |
| Supply air          | 75                       | 59   | 64    | 66    | 69    | 68   | 68   | 65   | 62   |
| Extract air         | 66                       | 58   | 61    | 62    | 59    | 52   | 49   | 40   | 31   |
| <b>6V / 64 l/s</b>  |                          |      |       |       |       |      |      |      |      |
| Surrounding         | 50                       | 34   | 43    | 47    | 41    | 37   | 41   | 38   | 32   |
| Cooker hood         | 62                       | 37   | 45    | 52    | 55    | 56   | 56   | 52   | 47   |
| Supply air          | 74                       | 58   | 62    | 66    | 68    | 67   | 67   | 64   | 60   |
| Extract air         | 66                       | 57   | 61    | 62    | 59    | 52   | 49   | 40   | 31   |
| <b>5V / 58 l/s</b>  |                          |      |       |       |       |      |      |      |      |
| Surrounding         | 49                       | 32   | 43    | 45    | 39    | 36   | 39   | 36   | 31   |
| Cooker hood         | 60                       | 35   | 44    | 50    | 52    | 54   | 54   | 50   | 44   |
| Supply air          | 72                       | 57   | 60    | 64    | 66    | 66   | 65   | 62   | 57   |
| Extract air         | 65                       | 57   | 58    | 61    | 57    | 50   | 47   | 38   | 29   |
| <b>4V / 52 l/s</b>  |                          |      |       |       |       |      |      |      |      |
| Surrounding         | 47                       | 30   | 42    | 42    | 37    | 34   | 37   | 34   | 29   |
| Cooker hood         | 57                       | 34   | 43    | 47    | 50    | 52   | 51   | 47   | 40   |
| Supply air          | 70                       | 55   | 58    | 62    | 64    | 64   | 63   | 59   | 53   |
| Extract air         | 63                       | 57   | 55    | 58    | 54    | 48   | 45   | 36   | 26   |
| <b>3V / 45 l/s</b>  |                          |      |       |       |       |      |      |      |      |
| Surrounding         | 45                       | 27   | 41    | 40    | 34    | 32   | 35   | 31   | 28   |
| Cooker hood         | 55                       | 31   | 41    | 44    | 47    | 50   | 48   | 43   | 36   |
| Supply air          | 67                       | 53   | 56    | 59    | 60    | 61   | 60   | 56   | 49   |
| Extract air         | 61                       | 57   | 52    | 55    | 50    | 45   | 41   | 32   | 23   |
| <b>2V / 36 l/s</b>  |                          |      |       |       |       |      |      |      |      |
| Surrounding         | 42                       | 24   | 40    | 35    | 31    | 29   | 31   | 28   | 28   |
| Cooker hood         | 51                       | 28   | 40    | 40    | 44    | 46   | 44   | 38   | 30   |
| Supply air          | 63                       | 49   | 52    | 55    | 57    | 58   | 55   | 50   | 41   |
| Extract air         | 56                       | 52   | 48    | 51    | 45    | 41   | 37   | 27   | 17   |
| <b>1V / 26 l/s</b>  |                          |      |       |       |       |      |      |      |      |
| Surrounding         | 41                       | 21   | 39    | 31    | 27    | 27   | 27   | 26   | 28   |
| Cooker hood         | 46                       | 24   | 37    | 35    | 39    | 41   | 38   | 32   | 28   |
| Supply air          | 58                       | 44   | 49    | 51    | 52    | 53   | 50   | 43   | 32   |
| Extract air         | 51                       | 47   | 43    | 45    | 40    | 36   | 32   | 21   | 10   |

### POWER, FANS/FLOW



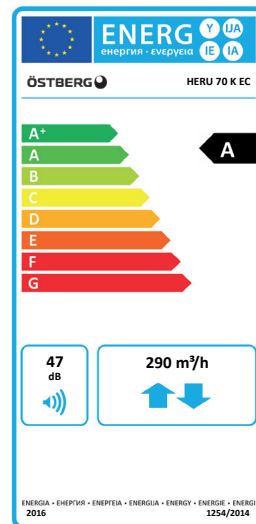
### TEMPERATURE EFFICIENCY



Power and SFP apply for both of the fans together.

### CONTROL VOLTAGE

| 1  | 2  | 3  | 4  | 5  | 6  | 7   |
|----|----|----|----|----|----|-----|
| 1V | 2V | 3V | 4V | 5V | 6V | 10V |



# ENERGY RECOVERY UNIT

## HERU®62 T AC

- Wall-mounted model with top connection.
- Designed for supply and exhaust air ventilation with energy recovery.
- Suitable for installation in apartments, small houses, offices and other premises where there are stringent requirements on the indoor environment.
- High temperature efficiency 86%, low energy consumption (SFP), low sound level, high operating reliability and provides clean indoor air.
- Unique design minimizes all thermal bridges.
- For easy handling, the unit is remote-controlled using the wireless control unit for operation and monitoring.
- Comes prepared for Modbus communication via RS485 (accessory needed).
- Airflow is generated by two silent radial fans with AC motors and impellers with backward curved blades.
- The fans are connected with quick connectors and are very easy to remove for cleaning.

- A regenerative, non-hygroscopic, aluminum rotating heat exchanger located in the center of the unit. The heat exchanger can also be removed for cleaning.
- Incinerable panel filter ePM1 50% as standard, for both exhaust and supply air. The filter is very easy to change.
- Integrated controls for heating/cooling.
- Integrated electric heater.
- The unit is constructed of galvanized steel sheet, insulated, and partially painted white.
- For placement in warm areas, such as laundry, storage or utility rooms.
- Left-hand design.
- Has a connection for a cooker hood, routed past the rotor to prevent cooking odours from spreading back into the premises.
- Equipped with wall plug.

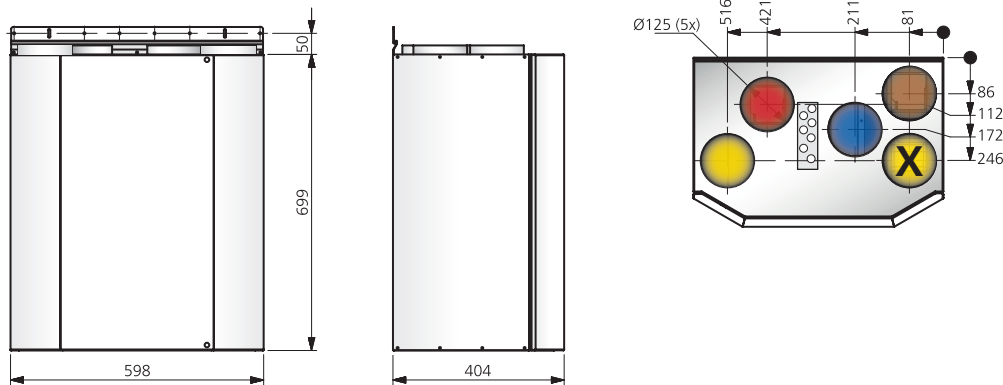
### ACCESSORIES

- Filterkit ePM1 50%
- Outside wall hood 160
- Remote Control with Modbus
- Heater Kit Water
- Relay pump control
- Damper motor
- Carbon dioxide sensor CO2
- Humidity sensor RH
- Room sensor
- Duct sensor
- Freeze protection sensor
- Extension cable to antenna
- Silencer LDC 125



### DIMENSIONS (mm)

#### LEFT-HAND DESIGN WITH COOKER HOOD CONNECTION



### CONNECTIONS

- Supply air
- Extract air
- Exhaust air
- Fresh air
- Cooker hood

Top connection

Capacity

HERU®62T AC ALC

Integrated electric heater with:  
A = Full power

AC = Fans with asynchronous motors

C = With cooker hood connection

L = Left-hand design

| Type             | Art.no. |
|------------------|---------|
| HERU®62 T AC ALC | 8010055 |

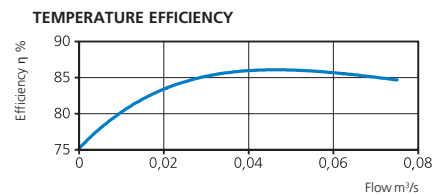
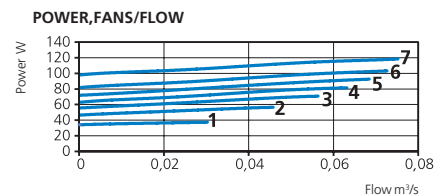
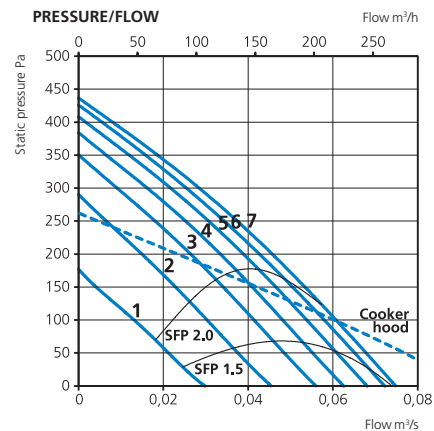


TECHNICAL DATA

| HERU®62 T AC              | ALC                   |
|---------------------------|-----------------------|
| Voltage                   | 230 V                 |
| Frequency                 | 50 Hz                 |
| Phase                     | 1 ~                   |
| Current, 2 fans           | 0.51 A                |
| Current, electric heater  | 5.22 A                |
| Total current             | 5.80 A                |
| Power, 2 fans             | 119 W                 |
| Power, electric heater    | 1200 W                |
| Total power               | 1350 W                |
| Speed                     | 2560 rpm              |
| Enclosure class           | 41 IP                 |
| Sound pressure level, 3 m | 39 dB L <sub>PA</sub> |
| Weight                    | 55 kg                 |
| Wiring diagram            | 4040172               |

SOUND DATA (dB)

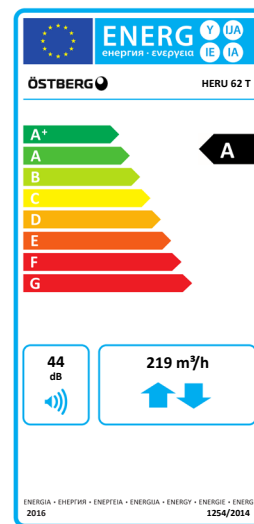
|                       | Total (L <sub>WA</sub> ) | 63 Hz | 125 Hz | 250 Hz | 500 Hz | 1k Hz | 2k Hz | 4k Hz | 8k Hz |
|-----------------------|--------------------------|-------|--------|--------|--------|-------|-------|-------|-------|
| <b>230 V / 63 l/s</b> |                          |       |        |        |        |       |       |       |       |
| Surrounding           | 46                       | 29    | 39     | 45     | 32     | 29    | 25    | 27    | 28    |
| Supply air            | 71                       | 55    | 59     | 67     | 63     | 62    | 60    | 57    | 50    |
| Extract air           | 56                       | 35    | 51     | 53     | 45     | 44    | 40    | 35    | 24    |
| <b>210 V / 60 l/s</b> |                          |       |        |        |        |       |       |       |       |
| Surrounding           | 46                       | 27    | 37     | 44     | 31     | 29    | 24    | 27    | 28    |
| Supply air            | 70                       | 55    | 58     | 67     | 62     | 61    | 59    | 56    | 49    |
| Extract air           | 57                       | 35    | 51     | 54     | 44     | 43    | 40    | 34    | 24    |
| <b>190 V / 56 l/s</b> |                          |       |        |        |        |       |       |       |       |
| Surrounding           | 45                       | 28    | 37     | 43     | 31     | 28    | 24    | 26    | 28    |
| Supply air            | 70                       | 54    | 58     | 67     | 61     | 60    | 58    | 55    | 48    |
| Extract air           | 58                       | 34    | 50     | 56     | 44     | 42    | 39    | 33    | 23    |
| <b>170 V / 54 l/s</b> |                          |       |        |        |        |       |       |       |       |
| Surrounding           | 45                       | 26    | 35     | 44     | 30     | 28    | 23    | 26    | 28    |
| Supply air            | 69                       | 53    | 57     | 67     | 60     | 59    | 57    | 54    | 46    |
| Extract air           | 61                       | 34    | 49     | 60     | 43     | 42    | 37    | 31    | 22    |
| <b>150 V / 48 l/s</b> |                          |       |        |        |        |       |       |       |       |
| Surrounding           | 44                       | 26    | 35     | 43     | 29     | 28    | 24    | 26    | 28    |
| Supply air            | 69                       | 52    | 55     | 68     | 59     | 57    | 54    | 51    | 43    |
| Extract air           | 52                       | 30    | 44     | 50     | 39     | 36    | 31    | 26    | 20    |
| <b>130 V / 40 l/s</b> |                          |       |        |        |        |       |       |       |       |
| Surrounding           | 41                       | 24    | 34     | 39     | 27     | 26    | 22    | 26    | 28    |
| Supply air            | 66                       | 51    | 51     | 64     | 55     | 53    | 51    | 47    | 38    |
| Extract air           | 58                       | 44    | 57     | 50     | 39     | 32    | 33    | 24    | 16    |
| <b>100 V / 25 l/s</b> |                          |       |        |        |        |       |       |       |       |
| Surrounding           | 37                       | 22    | 33     | 29     | 25     | 26    | 22    | 26    | 28    |
| Supply air            | 59                       | 48    | 48     | 56     | 50     | 48    | 44    | 40    | 29    |
| Extract air           | 44                       | 25    | 41     | 37     | 34     | 31    | 27    | 23    | 17    |



TRANSFORMER STEPS

| 1    | 2    | 3    | 4    | 5    | 6    | 7    |
|------|------|------|------|------|------|------|
| 100V | 130V | 150V | 170V | 190V | 210V | 230V |

Pressure/airflow diagrams apply for both supply and extract air. Power and SFP apply for both of the fans together.



# ENERGY RECOVERY UNIT

## HERU®90 T AC

- Wall-mounted model with top connection.
- Designed for supply and exhaust air ventilation with energy recovery.
- Suitable for installation in apartments, small houses, offices and other premises where there are stringent requirements on the indoor environment.
- High temperature efficiency 86%, low energy consumption (SFP), low sound level, high operating reliability and provides clean indoor air.
- Unique design minimizes all thermal bridges.
- For easy handling, the unit is remote-controlled using the wireless control unit for operation and monitoring.
- Comes prepared for Modbus communication via RS485 (accessory needed).
- Airflow is generated by two silent radial fans with AC motors.
- The fans are connected with quick connectors and are very easy to remove for cleaning.

- A regenerative, non-hygroscopic, aluminum rotating heat exchanger located in the center of the unit. The heat exchanger can also be removed for cleaning.
- Incinerable panel filter ePM1 50% as standard, for both exhaust and supply air. The filter is very easy to change.
- Integrated controls for heating/cooling.
- Integrated electric heater.
- The unit is constructed of galvanized steel sheet, insulated, and partially painted white.
- For placement in warm areas, such as laundry, storage or utility rooms.
- Left-hand design.
- Has a connection for a cooker hood, routed past the rotor to prevent cooking odours from spreading back into the premises.
- Equipped with wall plug.

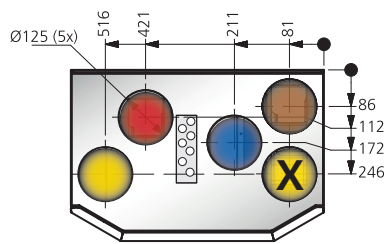
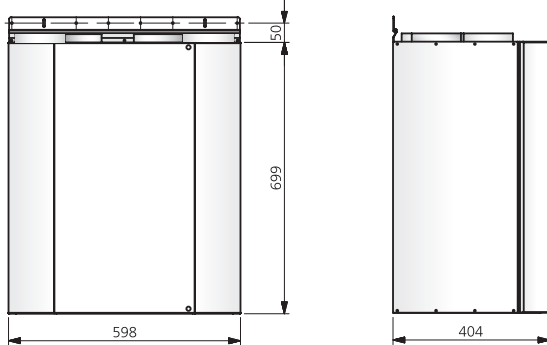
### ACCESSORIES

- Filterkit ePM1 50%
- Outside wall hood 160
- Remote Control with Modbus
- Heater Kit Water
- Relay pump control
- Damper motor
- Carbon dioxide sensor CO2
- Humidity sensor RH
- Room sensor
- Duct sensor
- Freeze protection sensor
- Extension cable to antenna
- Silencer LDC 125



### DIMENSIONS (mm)

#### LEFT-HAND DESIGN WITH COOKER HOOD CONNECTION



### CONNECTIONS

- Supply air
- Extract air
- Exhaust air
- Fresh air
- Cooker hood

Top connection

Capacity

AC = Fans with asynchronous motors

HERU®90T AC ALC

C = With cooker hood connection

Integrated electric heater with:  
A = Full power

L = Left-hand design

| Type             | Art.no. |
|------------------|---------|
| HERU®90 T AC ALC | 8010110 |



# ENERGY RECOVERY UNIT

## HERU<sup>®</sup>90 T AC

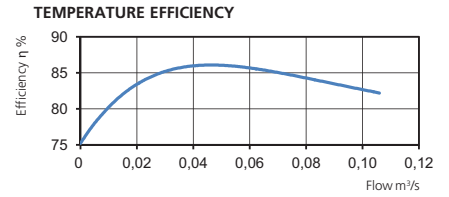
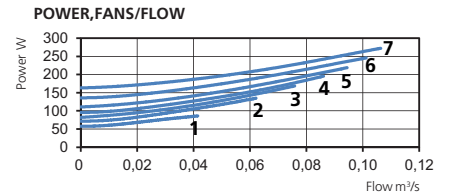
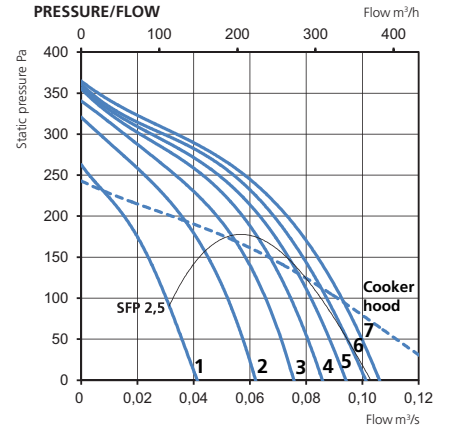


### TECHNICAL DATA

| HERU <sup>®</sup> 90 T AC        | ALC                   |
|----------------------------------|-----------------------|
| <b>Voltage</b>                   | 230 V                 |
| <b>Frequency</b>                 | 50 Hz                 |
| <b>Phase</b>                     | 1 ~                   |
| <b>Current, 2 fans</b>           | 1.20 A                |
| <b>Current, electric heater</b>  | 5.20 A                |
| <b>Total current</b>             | 6.50 A                |
| <b>Power, 2 fans</b>             | 278 W                 |
| <b>Power, electric heater</b>    | 1200 W                |
| <b>Total power</b>               | 1510 W                |
| <b>Speed</b>                     | 2430 rpm              |
| <b>Enclosure class</b>           | 41 IP                 |
| <b>Sound pressure level, 3 m</b> | 39 dB L <sub>PA</sub> |
| <b>Weight</b>                    | 59 kg                 |
| <b>Wiring diagram</b>            | 4040172               |

### SOUND DATA (dB)

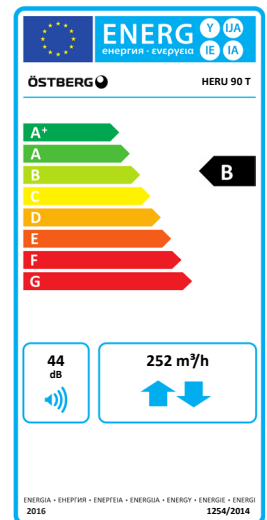
|                       | Total (L <sub>wa</sub> ) | 63 Hz | 125 Hz | 250 Hz | 500 Hz | 1k Hz | 2k Hz | 4k Hz | 8k Hz |
|-----------------------|--------------------------|-------|--------|--------|--------|-------|-------|-------|-------|
| <b>230 V / 83 l/s</b> |                          |       |        |        |        |       |       |       |       |
| Surrounding           | 46                       | 32    | 39     | 44     | 39     | 34    | 30    | 28    | 29    |
| Supply air            | 77                       | 64    | 66     | 71     | 68     | 68    | 70    | 67    | 66    |
| Extract air           | 62                       | 53    | 52     | 60     | 47     | 50    | 47    | 41    | 31    |
| <b>210 V / 78 l/s</b> |                          |       |        |        |        |       |       |       |       |
| Surrounding           | 46                       | 31    | 38     | 43     | 38     | 33    | 29    | 28    | 29    |
| Supply air            | 77                       | 62    | 66     | 70     | 67     | 68    | 70    | 66    | 65    |
| Extract air           | 61                       | 50    | 52     | 59     | 47     | 50    | 46    | 41    | 30    |
| <b>190 V / 76 l/s</b> |                          |       |        |        |        |       |       |       |       |
| Surrounding           | 45                       | 30    | 38     | 42     | 37     | 33    | 29    | 27    | 29    |
| Supply air            | 76                       | 61    | 65     | 70     | 67     | 67    | 69    | 66    | 64    |
| Extract air           | 61                       | 46    | 52     | 59     | 46     | 49    | 45    | 40    | 29    |
| <b>170 V / 72 l/s</b> |                          |       |        |        |        |       |       |       |       |
| Surrounding           | 45                       | 29    | 38     | 42     | 36     | 32    | 28    | 27    | 28    |
| Supply air            | 75                       | 61    | 64     | 69     | 65     | 67    | 67    | 64    | 63    |
| Extract air           | 60                       | 44    | 53     | 58     | 45     | 48    | 45    | 39    | 28    |
| <b>150 V / 67 l/s</b> |                          |       |        |        |        |       |       |       |       |
| Surrounding           | 44                       | 28    | 37     | 41     | 35     | 31    | 27    | 27    | 29    |
| Supply air            | 73                       | 58    | 63     | 67     | 63     | 66    | 64    | 62    | 60    |
| Extract air           | 59                       | 43    | 53     | 57     | 43     | 47    | 43    | 37    | 26    |
| <b>130 V / 56 l/s</b> |                          |       |        |        |        |       |       |       |       |
| Surrounding           | 42                       | 26    | 36     | 39     | 33     | 29    | 25    | 27    | 28    |
| Supply air            | 70                       | 57    | 62     | 63     | 60     | 64    | 59    | 58    | 54    |
| Extract air           | 56                       | 42    | 47     | 54     | 40     | 45    | 39    | 34    | 21    |
| <b>100 V / 36 l/s</b> |                          |       |        |        |        |       |       |       |       |
| Surrounding           | 39                       | 24    | 33     | 35     | 29     | 27    | 23    | 26    | 28    |
| Supply air            | 63                       | 54    | 55     | 53     | 52     | 58    | 51    | 49    | 41    |
| Extract air           | 49                       | 39    | 42     | 46     | 34     | 40    | 33    | 27    | 12    |



### TRANSFORMER STEPS

| 1    | 2    | 3    | 4    | 5    | 6    | 7    |
|------|------|------|------|------|------|------|
| 100V | 130V | 150V | 170V | 190V | 210V | 230V |

Pressure/airflow diagrams apply for both supply and extract air. Power and SFP apply for both of the fans together.



# ENERGY RECOVERY UNIT

## HERU®95 T EC

- Wall-mounted model with top connection.
- Designed for supply and exhaust air ventilation with energy recovery.
- Suitable for installation in apartments, small houses, offices and other premises where there are stringent requirements on the indoor environment.
- High temperature efficiency 86%, low energy consumption (SFP), low sound level, high operating reliability and provides clean indoor air.
- Unique design minimizes all thermal bridges.
- For easy handling, the unit is remote-controlled using the wireless control unit for operation and monitoring.
- Comes equipped for Modbus communication via RS485.
- Airflow is generated by two silent radial fans with EC motors.

- The fans are connected with quick connectors and are very easy to remove for cleaning.
- A regenerative, non-hygroscopic, aluminum rotating heat exchanger located in the center of the unit. The heat exchanger can also be removed for cleaning.
- Incinerable panel filter ePM1 50% as standard, for both exhaust and supply air. The filter is very easy to change.
- Integrated controls for heating/cooling.
- Integrated electric heater.
- The unit is constructed of galvanized steel sheet, partially painted white, and insulated.
- For placement in warm areas, such as laundry, storage or utility rooms.
- Left-hand design.
- Equipped with wall plug.

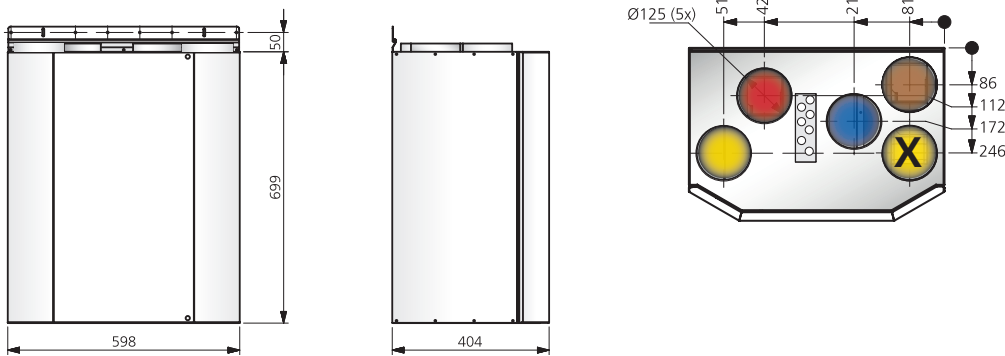
### ACCESSORIES

- Filterkit ePM1 50%
- Outside wall hood 160
- Remote Control with Modbus
- Heater Kit Water
- Relay pump control
- Damper motor
- Carbon dioxide sensor CO2
- Humidity sensor RH
- Room sensor
- Duct sensor
- Freeze protection sensor
- Extension cable to antenna
- Silencer LDC 125



### DIMENSIONS (mm)

#### LEFT-HAND DESIGN WITH COOKER HOOD CONNECTION



### CONNECTIONS

- Supply air
- Extract air
- Exhaust air
- Fresh air
- Cooker hood

Top connection

Capacity

EC = Fans with low-energy motors

HERU®95T EC ALC

C = With cooker hood connection

Integrated electric heater with:  
A = Full power

L = Left-hand design

| Type             | Art.no. |
|------------------|---------|
| HERU®95 T EC ALC | 8010735 |

# ENERGY RECOVERY UNIT

## HERU®95 T EC

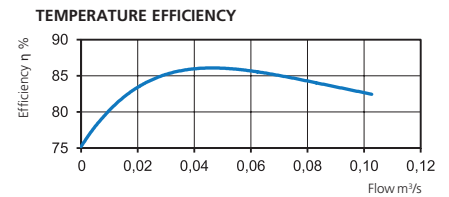
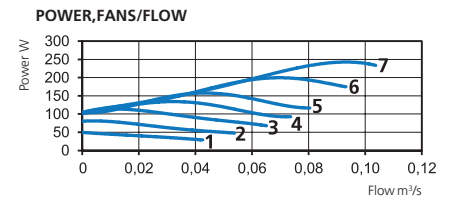
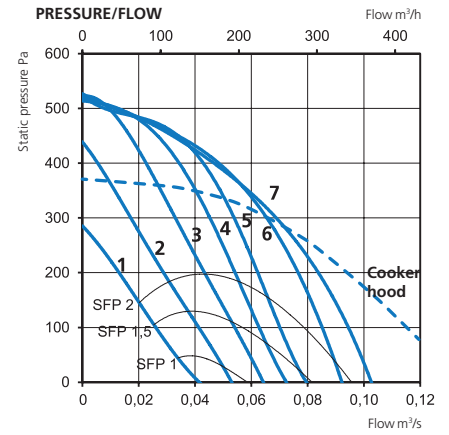


### TECHNICAL DATA

| HERU®95 T EC                     | ALC                   |
|----------------------------------|-----------------------|
| <b>Voltage</b>                   | 230 V                 |
| <b>Frequency</b>                 | 50 Hz                 |
| <b>Phase</b>                     | 1 ~                   |
| <b>Current, 2 fans</b>           | 1.98 A                |
| <b>Current, electric heater</b>  | 5.22 A                |
| <b>Total current</b>             | 7.30 A                |
| <b>Power, 2 fans</b>             | 245 W                 |
| <b>Power, electric heater</b>    | 1200 W                |
| <b>Total power</b>               | 1470 W                |
| <b>Speed</b>                     | 2790 rpm              |
| <b>Enclosure class</b>           | 41 IP                 |
| <b>Sound pressure level, 3 m</b> | 45 dB L <sub>PA</sub> |
| <b>Weight</b>                    | 53 kg                 |
| <b>Wiring diagram</b>            | 404013                |

### SOUND DATA (dB)

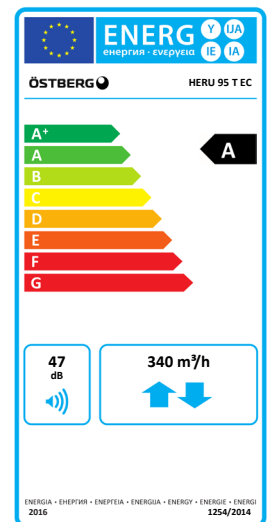
|                      | Total (L <sub>WA</sub> ) | 63 Hz | 125 Hz | 250 Hz | 500 Hz | 1k Hz | 2k Hz | 4k Hz | 8k Hz |
|----------------------|--------------------------|-------|--------|--------|--------|-------|-------|-------|-------|
| <b>10 V / 87 l/s</b> |                          |       |        |        |        |       |       |       |       |
| Surrounding          | 52                       | 34    | 43     | 50     | 45     | 37    | 34    | 33    | 30    |
| Supply air           | 79                       | 62    | 64     | 71     | 75     | 70    | 73    | 69    | 67    |
| Extract air          | 63                       | 54    | 52     | 59     | 56     | 54    | 50    | 44    | 33    |
| <b>8 V / 80 l/s</b>  |                          |       |        |        |        |       |       |       |       |
| Surrounding          | 51                       | 35    | 41     | 49     | 43     | 36    | 33    | 32    | 29    |
| Supply air           | 78                       | 60    | 62     | 70     | 73     | 68    | 70    | 67    | 65    |
| Extract air          | 63                       | 55    | 52     | 59     | 56     | 53    | 50    | 44    | 33    |
| <b>6 V / 70 l/s</b>  |                          |       |        |        |        |       |       |       |       |
| Surrounding          | 48                       | 30    | 39     | 46     | 40     | 33    | 30    | 31    | 29    |
| Supply air           | 75                       | 57    | 60     | 68     | 70     | 66    | 67    | 64    | 61    |
| Extract air          | 60                       | 50    | 53     | 56     | 52     | 51    | 48    | 41    | 30    |
| <b>5 V / 65 l/s</b>  |                          |       |        |        |        |       |       |       |       |
| Surrounding          | 47                       | 31    | 39     | 45     | 39     | 32    | 29    | 30    | 29    |
| Supply air           | 73                       | 56    | 59     | 66     | 68     | 65    | 65    | 62    | 58    |
| Extract air          | 59                       | 46    | 53     | 54     | 51     | 49    | 46    | 39    | 27    |
| <b>4 V / 56 l/s</b>  |                          |       |        |        |        |       |       |       |       |
| Surrounding          | 45                       | 30    | 37     | 42     | 37     | 30    | 27    | 31    | 29    |
| Supply air           | 70                       | 54    | 57     | 64     | 65     | 62    | 61    | 59    | 53    |
| Extract air          | 57                       | 46    | 50     | 52     | 49     | 47    | 43    | 36    | 24    |
| <b>3 V / 46 l/s</b>  |                          |       |        |        |        |       |       |       |       |
| Surrounding          | 43                       | 27    | 36     | 40     | 34     | 29    | 27    | 28    | 29    |
| Supply air           | 68                       | 52    | 55     | 62     | 63     | 60    | 58    | 55    | 48    |
| Extract air          | 54                       | 45    | 47     | 50     | 46     | 45    | 40    | 33    | 20    |
| <b>2 V / 36 l/s</b>  |                          |       |        |        |        |       |       |       |       |
| Surrounding          | 40                       | 25    | 32     | 37     | 30     | 27    | 24    | 27    | 29    |
| Supply air           | 64                       | 49    | 52     | 59     | 58     | 56    | 53    | 50    | 40    |
| Extract air          | 51                       | 42    | 46     | 46     | 41     | 40    | 35    | 27    | 12    |



### CONTROL VOLTAGE

| 1  | 2  | 3  | 4  | 5  | 6  | 7   |
|----|----|----|----|----|----|-----|
| 2V | 3V | 4V | 5V | 6V | 8V | 10V |

Pressure/airflow diagrams apply for both supply and extract air. Power and SFP apply for both of the fans together.



# ENERGY RECOVERY UNIT

## HERU®100 T EC

- Wall-mounted model with top connection.
- Designed for supply and exhaust air ventilation with energy recovery.
- Suitable for installation in apartments, small houses, offices and other premises where there are stringent requirements on the indoor environment.
- High temperature efficiency 86%, low energy consumption (SFP), low sound level, high operating reliability and provides clean indoor air.
- Unique design minimizes all thermal bridges.
- For easy handling, the unit is remote-controlled using the wireless control unit for operation and monitoring.
- Comes prepared for Modbus communication via RS485 (accessory needed).
- Airflow is generated by two silent radial fans with EC motors and impellers with backward curved blades.
- The fans are connected with quick connectors and are very easy to remove for cleaning.

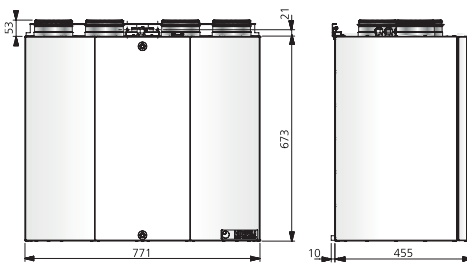
- A regenerative, non-hygroscopic, aluminum rotating heat exchanger located in the center of the unit. The heat exchanger can also be removed for cleaning.
- Incinerable panel filter ePM1 50% as standard, for both exhaust and supply air. The filter is very easy to change.
- Integrated controls for heating/cooling.
- Available with or without integrated electric heater.
- The unit is constructed of galvanized steel sheet, partially painted white, and insulated.
- For placement in warm areas, such as laundry, storage or utility rooms.
- Available in either right-hand or left-hand design. Can be ordered with a connection for a cooker hood. This connection is routed past the rotor to prevent cooking odours from spreading back into the premises.
- Equipped with wall plug.
- Integrated silencer on the supply air and extract air side.

### ACCESSORIES

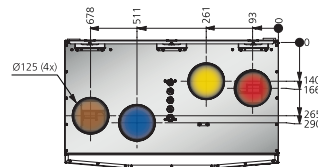
- Filterkit ePM1 50%
- Ceiling Mounting Plate
- Outside wall hood 160
- Remote Control with Modbus
- Heater Kit Water
- Relay pump control
- Damper motor
- Carbon dioxide sensor CO2
- Humidity sensor RH
- Room sensor
- Duct sensor
- Freeze protection sensor
- Extension cable to antenna
- Silencer LDC 125



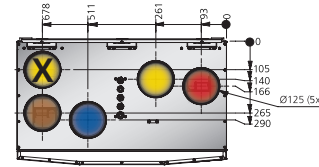
### DIMENSIONS (mm)



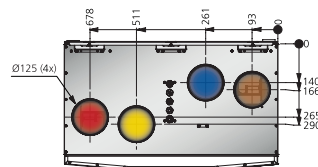
### RIGHT-HAND DESIGN



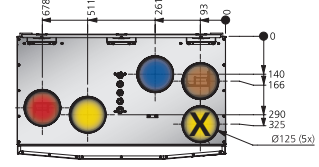
### RIGHT-HAND DESIGN WITH COOKER HOOD CONNECTION



### LEFT-HAND DESIGN



### LEFT-HAND DESIGN WITH COOKER HOOD CONNECTION



### CONNECTIONS

- Supply air
- Extract air
- Exhaust air
- Fresh air
- ⊗ Cooker hood

| Type              | Art.no. |
|-------------------|---------|
| HERU®100 T EC AR  | 8010724 |
| HERU®100 T EC AL  | 8010725 |
| HERU®100 T AC ARC | 8010726 |
| HERU®100 T EC ALC | 8010727 |
| HERU®100 T EC BR  | 8010731 |
| HERU®100 T EC BL  | 8010728 |

Top connection

Capacity

EC = Fans with low-energy motors

# HERU®100T EC ARC

Integrated electric heater with:

A = Full power

B = Half power (not stocked)

C = With cooker hood connection

R = Right-hand design

L = Left-hand design

# ENERGY RECOVERY UNIT

## HERU®100 T EC

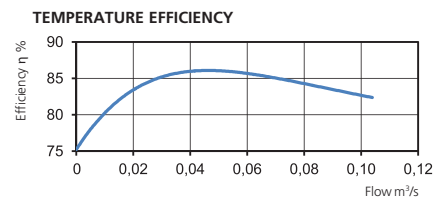
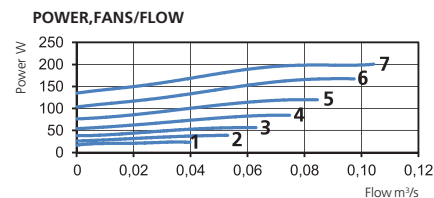
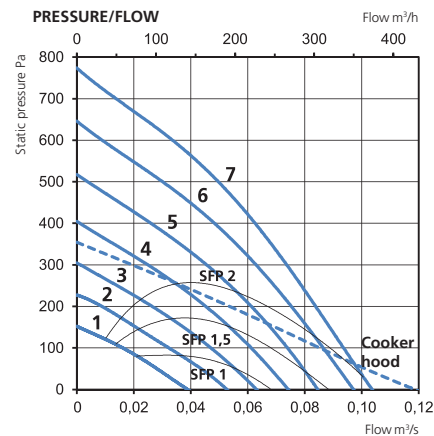


### TECHNICAL DATA

| HERU®100 T EC                    | A       | B                     |
|----------------------------------|---------|-----------------------|
| <b>Voltage</b>                   | 230     | 230 V                 |
| <b>Frequency</b>                 | 50      | 50 Hz                 |
| <b>Phase</b>                     | 1       | 1 ~                   |
| <b>Current, 2 fans</b>           | 1.65    | 1.65 A                |
| <b>Current, electric heater</b>  | 5.22    | 2.61 A                |
| <b>Total current</b>             | 7.00    | 4.40 A                |
| <b>Power, 2 fans</b>             | 203     | 203 W                 |
| <b>Power, electric heater</b>    | 1200    | 600 W                 |
| <b>Total power</b>               | 1430    | 830 W                 |
| <b>Speed</b>                     | 3550    | 3550 rpm              |
| <b>Enclosure class</b>           | 41      | 41 IP                 |
| <b>Sound pressure level, 3 m</b> | 39      | 39 dB L <sub>PA</sub> |
| <b>Weight</b>                    | 65      | 65 kg                 |
| <b>Wiring diagram</b>            | 4040168 | 4040168               |

### SOUND DATA (dB)

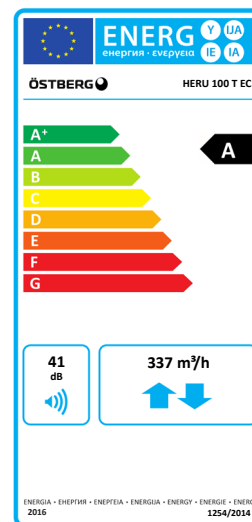
|                      | Total (L <sub>WA</sub> ) | 63 Hz | 125 Hz | 250 Hz | 500 Hz | 1k Hz | 2k Hz | 4k Hz | 8k Hz |
|----------------------|--------------------------|-------|--------|--------|--------|-------|-------|-------|-------|
| <b>10 V / 94 l/s</b> |                          |       |        |        |        |       |       |       |       |
| Surrounding          | 46                       | 31    | 41     | 43     | 37     | 32    | 32    | 32    | 29    |
| Supply air           | 79                       | 62    | 64     | 71     | 75     | 70    | 73    | 69    | 67    |
| Extract air          | 60                       | 53    | 51     | 53     | 53     | 53    | 43    | 38    | 27    |
| <b>9 V / 87 l/s</b>  |                          |       |        |        |        |       |       |       |       |
| Surrounding          | 46                       | 31    | 41     | 41     | 38     | 30    | 31    | 30    | 29    |
| Supply air           | 69                       | 57    | 61     | 63     | 64     | 54    | 56    | 52    | 47    |
| Extract air          | 59                       | 52    | 50     | 52     | 52     | 52    | 43    | 37    | 26    |
| <b>8 V / 76 l/s</b>  |                          |       |        |        |        |       |       |       |       |
| Surrounding          | 43                       | 28    | 39     | 39     | 31     | 28    | 29    | 29    | 29    |
| Supply air           | 66                       | 56    | 60     | 62     | 60     | 50    | 53    | 48    | 42    |
| Extract air          | 57                       | 51    | 49     | 50     | 49     | 50    | 40    | 34    | 24    |
| <b>7 V / 67 l/s</b>  |                          |       |        |        |        |       |       |       |       |
| Surrounding          | 41                       | 26    | 37     | 38     | 27     | 27    | 26    | 27    | 28    |
| Supply air           | 63                       | 54    | 58     | 58     | 56     | 46    | 49    | 44    | 37    |
| Extract air          | 55                       | 49    | 48     | 47     | 47     | 47    | 37    | 31    | 20    |
| <b>6 V / 56 l/s</b>  |                          |       |        |        |        |       |       |       |       |
| Surrounding          | 39                       | 24    | 35     | 35     | 25     | 25    | 24    | 27    | 28    |
| Supply air           | 61                       | 52    | 56     | 55     | 52     | 42    | 45    | 40    | 32    |
| Extract air          | 53                       | 48    | 46     | 44     | 44     | 44    | 34    | 27    | 15    |
| <b>5 V / 48 l/s</b>  |                          |       |        |        |        |       |       |       |       |
| Surrounding          | 37                       | 23    | 32     | 31     | 26     | 25    | 23    | 26    | 28    |
| Supply air           | 57                       | 50    | 53     | 50     | 47     | 38    | 40    | 34    | 24    |
| Extract air          | 51                       | 46    | 43     | 46     | 39     | 40    | 29    | 21    | 10    |
| <b>4 V / 36 l/s</b>  |                          |       |        |        |        |       |       |       |       |
| Surrounding          | 36                       | 21    | 31     | 28     | 22     | 24    | 22    | 26    | 28    |
| Supply air           | 53                       | 48    | 48     | 49     | 43     | 33    | 33    | 25    | 16    |
| Extract air          | 47                       | 44    | 39     | 39     | 34     | 35    | 23    | 14    | 5     |



### CONTROL VOLTAGE

| 1  | 2  | 3  | 4  | 5  | 6  | 7   |
|----|----|----|----|----|----|-----|
| 4V | 5V | 6V | 7V | 8V | 9V | 10V |

Pressure/airflow diagrams apply for both supply and extract air. Power and SFP apply for both of the fans together.



# ENERGY RECOVERY UNIT

## HERU®160 T EC

- Wall-mounted model with top connection.
- Designed for supply and exhaust air ventilation with energy recovery.
- Suitable for installation in apartments, small houses, offices and other premises where there are stringent requirements on the indoor environment.
- High temperature efficiency 86%, low energy consumption (SFP), low sound level, high operating reliability and provides clean indoor air.
- Unique design minimizes all thermal bridges.
- For easy handling, the unit is remote-controlled using the wireless control unit for operation and monitoring.
- Comes prepared for Modbus communication via RS485.
- Airflow is generated by two silent radial fans with EC motors and impellers with backward curved blades.
- The fans are connected with quick connectors and are very easy to remove for cleaning.

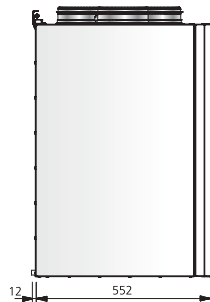
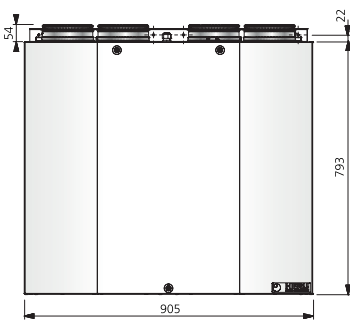
- A regenerative, non-hygroscopic, aluminum rotating heat exchanger located in the center of the unit. The heat exchanger can also be removed for cleaning.
- Incinerable panel filter ePM1 50% as standard, for both exhaust and supply air. The filter is very easy to change.
- Integrated controls for heating/cooling.
- Available with or without integrated electric heater.
- The unit is constructed of galvanized steel sheet, partially painted white, and insulated.
- For placement in warm areas, such as laundry, storage or utility rooms.
- Available in either right-hand or left-hand design.
- Equipped with wall plug.
- Integrated silencer on the supply air and extract air side.

### ACCESSORIES

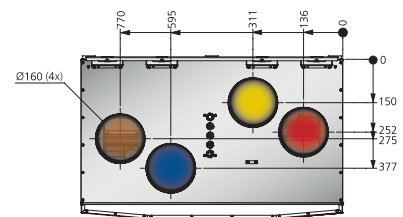
- Filterkit ePM1 50%
- Floor stand
- Outside wall hood 200
- Remote Control with Modbus
- Heater Kit Water
- Relay pump control
- Damper motor
- Carbon dioxide sensor CO2
- Humidity sensor RH
- Room sensor
- Duct sensor
- Freeze protection sensor
- Extension cable to antenna
- Silencer LDC 160



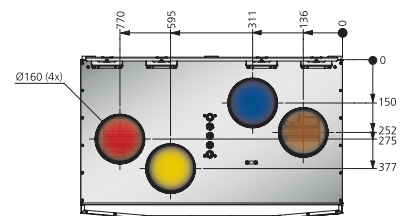
### DIMENSIONS (mm)



### RIGHT-HAND DESIGN



### LEFT-HAND DESIGN



### CONNECTIONS

- Supply air (Red)
- Extract air (Yellow)
- Exhaust air (Brown)
- Fresh air (Blue)

| Type             | Art.no. |
|------------------|---------|
| HERU®160 T EC AR | 8010370 |
| HERU®160 T EC AL | 8010371 |
| HERU®160 T EC BR | 8010380 |
| HERU®160 T EC BL | 8010381 |
| HERU®160 T EC CR | 8010390 |
| HERU®160 T EC CL | 8010391 |

Top connection

Capacity

EC = Fans with low-energy motors

# HERU®160T EC AR

Integrated electric heater with:

- A = Full power
- B = Half power
- C = Without electric heater

R = Right-hand design  
L = Left-hand design



# ENERGY RECOVERY UNIT

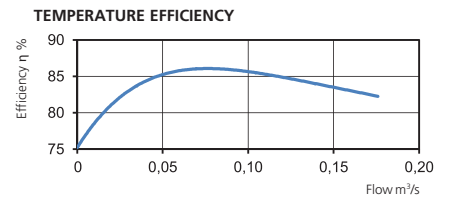
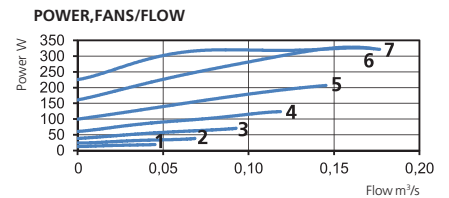
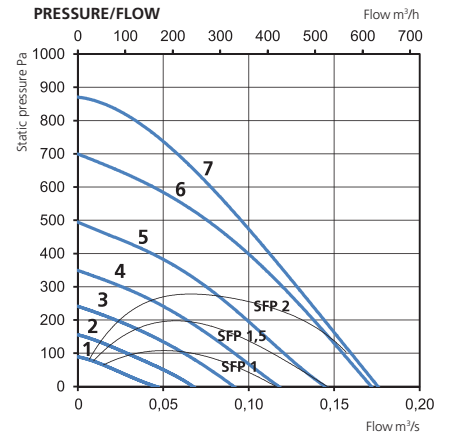
## HERU®160 T EC

### TECHNICAL DATA

| HERU®160 T EC                    | A       | B       | C                     |
|----------------------------------|---------|---------|-----------------------|
| <b>Voltage</b>                   | 230     | 230     | 230 V                 |
| <b>Frequency</b>                 | 50      | 50      | 50 Hz                 |
| <b>Phase</b>                     | 1       | 1       | 1 ~                   |
| <b>Current, 2 fans</b>           | 2.53    | 2.53    | 2.53 A                |
| <b>Current, electric heater</b>  | 7.39    | 3.70    | - A                   |
| <b>Total current</b>             | 10.00   | 6.30    | 2.63 A                |
| <b>Power, 2 fans</b>             | 321     | 321     | 321 W                 |
| <b>Power, electric heater</b>    | 1700    | 850     | - W                   |
| <b>Total power</b>               | 2050    | 1200    | 348 W                 |
| <b>Speed</b>                     | 3070    | 3070    | 3070 rpm              |
| <b>Enclosure class</b>           | 41      | 41      | 41 IP                 |
| <b>Sound pressure level, 3 m</b> | 45      | 45      | 45 dB L <sub>PA</sub> |
| <b>Weight</b>                    | 91      | 91      | 90 kg                 |
| <b>Wiring diagram</b>            | 4040171 | 4040171 | 4040171               |

### SOUND DATA (dB)

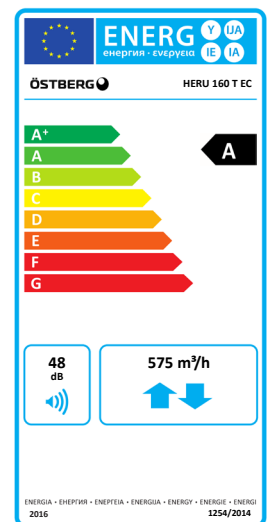
|                       | Total (L <sub>WA</sub> ) | 63 Hz | 125 Hz | 250 Hz | 500 Hz | 1k Hz | 2k Hz | 4k Hz | 8k Hz |
|-----------------------|--------------------------|-------|--------|--------|--------|-------|-------|-------|-------|
| <b>10 V / 131 l/s</b> |                          |       |        |        |        |       |       |       |       |
| Surrounding           | 52                       | 46    | 49     | 49     | 38     | 36    | 34    | 37    | 32    |
| Supply air            | 74                       | 69    | 68     | 69     | 65     | 58    | 59    | 52    | 45    |
| Extract air           | 63                       | 54    | 56     | 57     | 58     | 54    | 44    | 37    | 27    |
| <b>9 V / 129 l/s</b>  |                          |       |        |        |        |       |       |       |       |
| Surrounding           | 52                       | 46    | 49     | 48     | 38     | 35    | 33    | 34    | 30    |
| Supply air            | 74                       | 69    | 68     | 69     | 65     | 58    | 59    | 52    | 45    |
| Extract air           | 63                       | 54    | 57     | 57     | 58     | 54    | 44    | 37    | 27    |
| <b>8 V / 104 l/s</b>  |                          |       |        |        |        |       |       |       |       |
| Surrounding           | 48                       | 43    | 45     | 45     | 35     | 32    | 29    | 30    | 29    |
| Supply air            | 70                       | 62    | 64     | 66     | 61     | 53    | 54    | 47    | 40    |
| Extract air           | 59                       | 52    | 53     | 51     | 54     | 50    | 39    | 33    | 24    |
| <b>7 V / 83 l/s</b>   |                          |       |        |        |        |       |       |       |       |
| Surrounding           | 46                       | 40    | 41     | 44     | 36     | 29    | 26    | 28    | 29    |
| Supply air            | 68                       | 60    | 60     | 65     | 58     | 49    | 49    | 42    | 34    |
| Extract air           | 56                       | 50    | 49     | 48     | 50     | 46    | 35    | 28    | 22    |
| <b>6 V / 67 l/s</b>   |                          |       |        |        |        |       |       |       |       |
| Surrounding           | 41                       | 37    | 36     | 37     | 27     | 27    | 24    | 27    | 29    |
| Supply air            | 63                       | 57    | 57     | 59     | 52     | 43    | 43    | 35    | 27    |
| Extract air           | 53                       | 47    | 45     | 48     | 45     | 41    | 30    | 24    | 21    |
| <b>5 V / 51 l/s</b>   |                          |       |        |        |        |       |       |       |       |
| Surrounding           | 37                       | 37    | 32     | 30     | 26     | 26    | 23    | 27    | 29    |
| Supply air            | 56                       | 52    | 52     | 48     | 46     | 36    | 35    | 26    | 20    |
| Extract air           | 46                       | 41    | 41     | 35     | 41     | 36    | 25    | 22    | 21    |
| <b>4 V / 33 l/s</b>   |                          |       |        |        |        |       |       |       |       |
| Surrounding           | 35                       | 26    | 27     | 29     | 24     | 26    | 23    | 27    | 29    |
| Supply air            | 50                       | 46    | 46     | 42     | 38     | 28    | 25    | 17    | 18    |
| Extract air           | 41                       | 36    | 34     | 29     | 36     | 31    | 23    | 21    | 21    |



### CONTROL VOLTAGE

| 1  | 2  | 3  | 4  | 5  | 6  | 7   |
|----|----|----|----|----|----|-----|
| 4V | 5V | 6V | 7V | 8V | 9V | 10V |

Pressure/airflow diagrams apply for both supply and extract air. Power and SFP apply for both of the fans together.



# ENERGY RECOVERY UNIT

## HERU®200 T EC

- Floor model with top connection.
- Designed for supply and exhaust air ventilation with energy recovery.
- Suitable for installation in apartments, small houses, offices and other premises where there are stringent requirements on the indoor environment.
- High temperature efficiency 86%, low energy consumption (SFP), low sound level, high operating reliability and provides clean indoor air.
- Unique design minimizes all thermal bridges.
- For easy handling, the unit is remote-controlled using the wireless control unit for operation and monitoring.
- Comes prepared for Modbus communication via RS485 (accessory needed).
- Airflow is generated by two silent radial fans with EC motors and impellers with backward-curved blades.
- The fans are connected with quick connectors and are very easy to remove for cleaning.

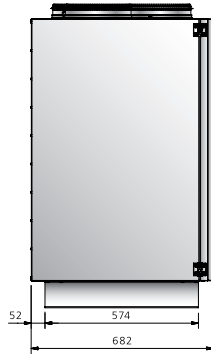
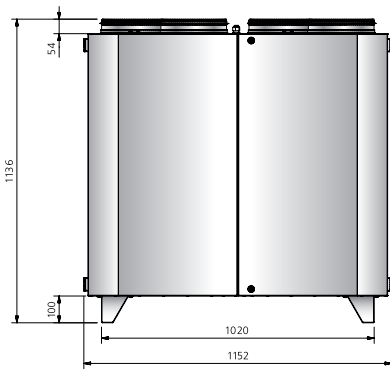
- A regenerative, non-hygroscopic, aluminum rotating heat exchanger located in the center of the unit. The heat exchanger can also be removed for cleaning.
- Incinerable panel filter ePM1 50% as standard, for both exhaust and supply air. The filter is very easy to change.
- Integrated controls for heating/cooling.
- Available with or without integrated electric heater.
- The unit is made from aluminum-zinc-plated steel and insulated.
- For placement in warm areas, such as laundry, storage or utility rooms.
- Available in either right-hand or left-hand design.
- Equipped with wall plug.
- Integrated silencer on the supply air and extract air side.

### ACCESSORIES

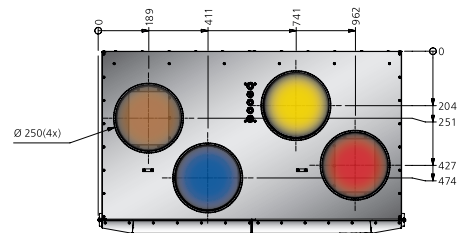
- Filterkit ePM1 50%
- Remote Control with Modbus
- Heater Kit Water
- Cooling coil Kit
- Relay pump control
- Damper motor
- Carbon dioxide sensor CO2
- Humidity sensor RH
- Room sensor
- Duct sensor
- Freeze protection sensor
- Extension cable to antenna
- Silencer LDC 250



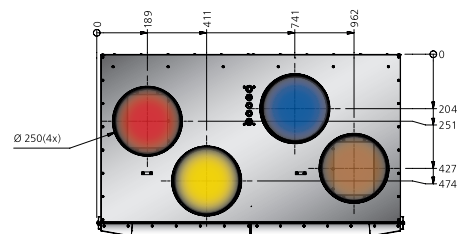
### DIMENSIONS (mm)



### RIGHT-HAND DESIGN



### LEFT-HAND DESIGN



### CONNECTIONS

- Supply air (Red)
- Extract air (Yellow)
- Exhaust air (Brown)
- Fresh air (Blue)

Top connection

Capacity

EC = Fans with low-energy motors

# HERU®200 T EC AR

Integrated electric heater with:

- A = Full power
- C = Without electric heater

- R = Right-hand design
- L = Left-hand design

| Type             | Art.no. |
|------------------|---------|
| HERU®200 T EC AR | 8010405 |
| HERU®200 T EC AL | 8010407 |
| HERU®200 T EC CR | 8010406 |
| HERU®200 T EC CL | 8010408 |





# ENERGY RECOVERY UNIT

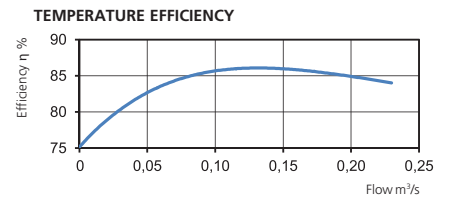
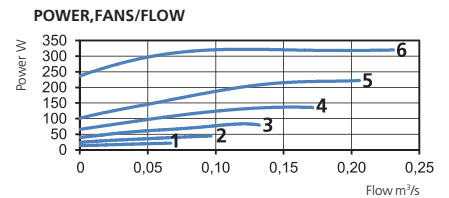
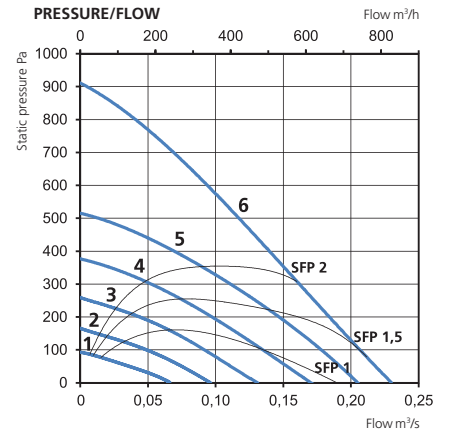
## HERU®200 T EC

### TECHNICAL DATA

| HERU® 200 T EC                   | A       | C                     |
|----------------------------------|---------|-----------------------|
| <b>Voltage</b>                   | 230     | 230 V                 |
| <b>Frequency</b>                 | 50      | 50 Hz                 |
| <b>Phase</b>                     | 1       | 1 ~                   |
| <b>Current, 2 fans</b>           | 2.56    | 2.56 A                |
| <b>Current, electric heater</b>  | 10.00   | - A                   |
| <b>Total current</b>             | 12.70   | 2.66 A                |
| <b>Power, 2 fans</b>             | 321     | 321 W                 |
| <b>Power, electric heater</b>    | 2300    | - W                   |
| <b>Total power</b>               | 2650    | 348 W                 |
| <b>Speed</b>                     | 2780    | 2780 rpm              |
| <b>Enclosure class</b>           | 41      | 41 IP                 |
| <b>Sound pressure level, 3 m</b> | 43      | 43 dB L <sub>PA</sub> |
| <b>Weight</b>                    | 132     | 130 kg                |
| <b>Wiring diagram</b>            | 4040176 | 4040176               |

### SOUND DATA (dB)

|                       | Total (L <sub>wa</sub> ) | 63 Hz | 125 Hz | 250 Hz | 500 Hz | 1k Hz | 2k Hz | 4k Hz | 8k Hz |
|-----------------------|--------------------------|-------|--------|--------|--------|-------|-------|-------|-------|
| <b>10 V / 175 l/s</b> |                          |       |        |        |        |       |       |       |       |
| Surrounding           | 50                       | 45    | 47     | 45     | 41     | 34    | 31    | 29    | 28    |
| Supply air            | 70                       | 59    | 61     | 66     | 61     | 60    | 58    | 51    | 43    |
| Extract air           | 61                       | 52    | 53     | 52     | 55     | 53    | 45    | 40    | 26    |
| <b>8 V / 155 l/s</b>  |                          |       |        |        |        |       |       |       |       |
| Surrounding           | 47                       | 45    | 43     | 43     | 39     | 33    | 29    | 28    | 28    |
| Supply air            | 67                       | 56    | 59     | 65     | 57     | 57    | 54    | 46    | 39    |
| Extract air           | 58                       | 48    | 50     | 53     | 52     | 50    | 42    | 37    | 24    |
| <b>7 V / 125 l/s</b>  |                          |       |        |        |        |       |       |       |       |
| Surrounding           | 45                       | 46    | 40     | 41     | 36     | 32    | 27    | 27    | 28    |
| Supply air            | 62                       | 54    | 55     | 58     | 54     | 52    | 49    | 41    | 33    |
| Extract air           | 54                       | 47    | 47     | 44     | 48     | 46    | 38    | 32    | 22    |
| <b>6 V / 101 l/s</b>  |                          |       |        |        |        |       |       |       |       |
| Surrounding           | 42                       | 44    | 35     | 39     | 34     | 31    | 25    | 26    | 28    |
| Supply air            | 62                       | 52    | 51     | 60     | 50     | 47    | 44    | 33    | 25    |
| Extract air           | 51                       | 46    | 44     | 41     | 45     | 42    | 34    | 28    | 22    |
| <b>5 V / 78 l/s</b>   |                          |       |        |        |        |       |       |       |       |
| Surrounding           | 39                       | 41    | 34     | 31     | 34     | 31    | 25    | 26    | 28    |
| Supply air            | 55                       | 48    | 52     | 46     | 42     | 40    | 36    | 24    | 17    |
| Extract air           | 48                       | 42    | 43     | 35     | 41     | 38    | 31    | 26    | 22    |
| <b>4 V / 57 l/s</b>   |                          |       |        |        |        |       |       |       |       |
| Surrounding           | 39                       | 32    | 34     | 29     | 34     | 31    | 24    | 26    | 28    |
| Supply air            | 47                       | 41    | 44     | 39     | 35     | 32    | 27    | 18    | 15    |
| Extract air           | 45                       | 35    | 41     | 30     | 40     | 36    | 30    | 26    | 23    |



### CONTROL VOLTAGE

| 1  | 2  | 3  | 4  | 5  | 6   |
|----|----|----|----|----|-----|
| 4V | 5V | 6V | 7V | 8V | 10V |

Pressure/airflow diagrams apply for both supply and extract air. Power and SFP apply for both of the fans together.

# ENERGY RECOVERY UNIT

## HERU®250 T EC

- Floor model with top connection.
- Designed for supply and exhaust air ventilation with energy recovery.
- Suitable for installation in apartments, small houses, offices and other premises where there are stringent requirements on the indoor environment.
- High temperature efficiency 86%, low energy consumption (SFP), low sound level, high operating reliability and provides clean indoor air.
- Unique design minimizes all thermal bridges.
- For easy handling, the unit is remote-controlled using the wireless control unit for operation and monitoring.
- Comes prepared for Modbus communication via RS485 (accessory needed).
- Airflow is generated by two silent radial fans with EC motors and impellers with backward curved blades.

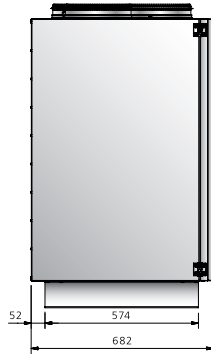
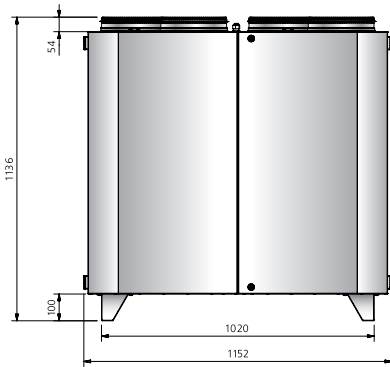
- The fans are connected with quick connectors and are very easy to remove for cleaning.
- A regenerative, non-hygroscopic, aluminum rotating heat exchanger located in the center of the unit. The heat exchanger can also be removed for cleaning.
- Incinerable panel filter ePM1 50% as standard, for both exhaust and supply air. The filter is very easy to change.
- Integrated controls for heating/cooling.
- Available with or without integrated electric heater.
- The unit is made from aluminum-zinc-plated steel and insulated.
- For placement in warm areas, such as laundry, storage or utility rooms.
- Available in either right-hand or left-hand design.
- Integrated silencer on the supply air and extract air side.

### ACCESSORIES

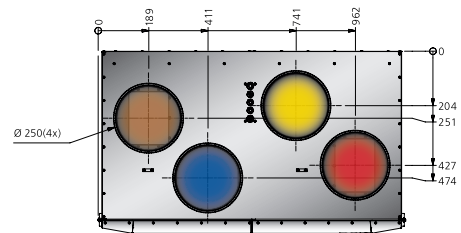
- Filterkit ePM1 50%
- Remote Control with Modbus
- Heater Kit Water
- Cooling coil Kit
- Relay pump control
- Damper motor
- Carbon dioxide sensor CO2
- Humidity sensor RH
- Room sensor
- Duct sensor
- Freeze protection sensor
- Extension cable to antenna
- Silencer LDC 250



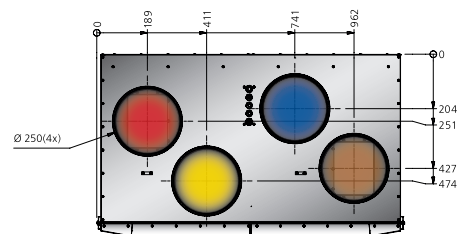
### DIMENSIONS (mm)



### RIGHT-HAND DESIGN



### LEFT-HAND DESIGN



### CONNECTIONS

- Supply air (Red)
- Extract air (Yellow)
- Exhaust air (Brown)
- Fresh air (Blue)

Top connection

Capacity

EC = Fans with low-energy motors

## HERU®250 T EC AR

Integrated electric heater with:

- A = Full power
- C = Without electric heater

- R = Right-hand design
- L = Left-hand design

| Type               | Art.no. |
|--------------------|---------|
| HERU®250 T EC 2 AR | 8010422 |
| HERU®250 T EC 2 AL | 8010424 |
| HERU®250 T EC 2 CR | 8010423 |
| HERU®250 T EC 2 CL | 8010425 |

# ENERGY RECOVERY UNIT

## HERU®250 T EC

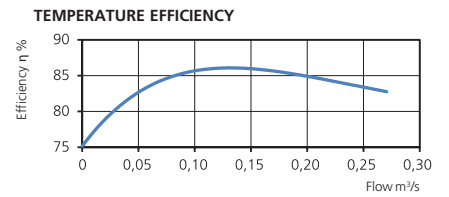
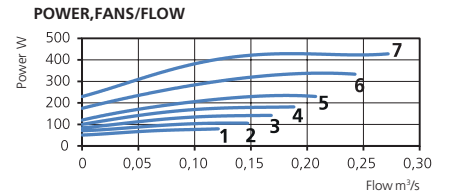
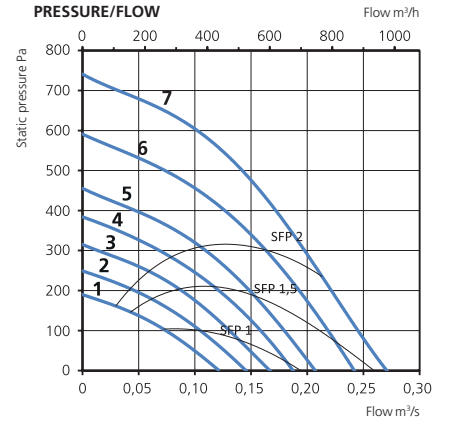


### TECHNICAL DATA

| HERU®250 T EC 2                  | A       | C                     |
|----------------------------------|---------|-----------------------|
| <b>Voltage</b>                   | 230     | 230 V                 |
| <b>Frequency</b>                 | 50      | 50 Hz                 |
| <b>Phase</b>                     | 1       | 1 ~                   |
| <b>Current, 2 fans</b>           | 1.95    | 1.95 A                |
| <b>Current, electric heater</b>  | 10.00   | - A                   |
| <b>Total current</b>             | 12.10   | 2.05 A                |
| <b>Power, 2 fans</b>             | 432     | 432 W                 |
| <b>Power, electric heater</b>    | 2300    | - W                   |
| <b>Total power</b>               | 2760    | 459 W                 |
| <b>Speed</b>                     | 2790    | 2790 rpm              |
| <b>Enclosure class</b>           | 41      | 41 IP                 |
| <b>Sound pressure level, 3 m</b> | 41      | 41 dB L <sub>PA</sub> |
| <b>Weight</b>                    | 146     | 143 kg                |
| <b>Wiring diagram</b>            | 4040176 | 4040176               |

### SOUND DATA (dB)

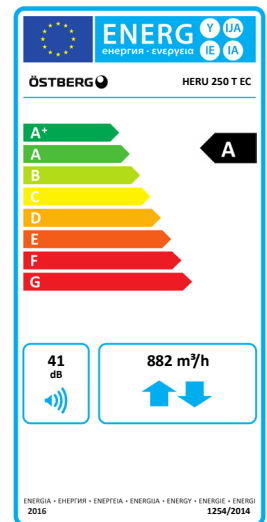
|                       | Total (L <sub>wa</sub> ) | 63 Hz | 125 Hz | 250 Hz | 500 Hz | 1k Hz | 2k Hz | 4k Hz | 8k Hz |
|-----------------------|--------------------------|-------|--------|--------|--------|-------|-------|-------|-------|
| <b>10 V / 227 l/s</b> |                          |       |        |        |        |       |       |       |       |
| Surrounding           | 48                       | 50    | 43     | 42     | 43     | 34    | 32    | 28    | 27    |
| Supply air            | 70                       | 57    | 58     | 58     | 63     | 61    | 65    | 58    | 53    |
| Extract air           | 61                       | 50    | 50     | 49     | 58     | 55    | 51    | 45    | 36    |
| <b>9 V / 206 l/s</b>  |                          |       |        |        |        |       |       |       |       |
| Surrounding           | 46                       | 44    | 40     | 39     | 42     | 32    | 29    | 27    | 27    |
| Supply air            | 67                       | 53    | 55     | 55     | 61     | 57    | 62    | 55    | 49    |
| Extract air           | 59                       | 48    | 47     | 48     | 56     | 53    | 49    | 43    | 34    |
| <b>8 V / 178 l/s</b>  |                          |       |        |        |        |       |       |       |       |
| Surrounding           | 42                       | 39    | 37     | 36     | 38     | 31    | 27    | 26    | 27    |
| Supply air            | 64                       | 51    | 53     | 52     | 60     | 54    | 58    | 51    | 44    |
| Extract air           | 57                       | 44    | 45     | 45     | 54     | 50    | 45    | 39    | 29    |
| <b>7 V / 164 l/s</b>  |                          |       |        |        |        |       |       |       |       |
| Surrounding           | 41                       | 38    | 35     | 34     | 37     | 30    | 26    | 26    | 27    |
| Supply air            | 61                       | 49    | 50     | 51     | 56     | 52    | 56    | 48    | 40    |
| Extract air           | 55                       | 42    | 42     | 43     | 52     | 49    | 43    | 37    | 25    |
| <b>6 V / 141 l/s</b>  |                          |       |        |        |        |       |       |       |       |
| Surrounding           | 39                       | 40    | 33     | 32     | 33     | 29    | 25    | 26    | 27    |
| Supply air            | 58                       | 47    | 49     | 50     | 51     | 48    | 53    | 46    | 36    |
| Extract air           | 51                       | 40    | 40     | 43     | 47     | 45    | 40    | 34    | 22    |
| <b>5 V / 126 l/s</b>  |                          |       |        |        |        |       |       |       |       |
| Surrounding           | 38                       | 34    | 30     | 31     | 32     | 28    | 24    | 25    | 27    |
| Supply air            | 55                       | 45    | 46     | 50     | 46     | 45    | 49    | 42    | 32    |
| Extract air           | 48                       | 38    | 38     | 41     | 43     | 42    | 37    | 31    | 18    |
| <b>4 V / 107 l/s</b>  |                          |       |        |        |        |       |       |       |       |
| Surrounding           | 36                       | 33    | 28     | 29     | 30     | 28    | 24    | 25    | 27    |
| Supply air            | 53                       | 43    | 43     | 48     | 43     | 41    | 45    | 38    | 27    |
| Extract air           | 45                       | 36    | 35     | 38     | 40     | 38    | 34    | 28    | 14    |



### CONTROL VOLTAGE

| 1  | 2  | 3  | 4  | 5  | 6  | 7   |
|----|----|----|----|----|----|-----|
| 4V | 5V | 6V | 7V | 8V | 9V | 10V |

Pressure/airflow diagrams apply for both supply and extract air. Power and SFP apply for both of the fans together.



# ENERGY RECOVERY UNIT

## HERU®400 T EC

- Compact unit with top connection.
- Designed for supply and exhaust air ventilation with energy recovery.
- Suitable for installation in homes, offices and other premises where there are stringent requirements on the indoor environment.
- High temperature efficiency 86%, low energy consumption (SFP), low sound level, high operating reliability and provides clean indoor air.
- Unique design minimizes all thermal bridges.
- Can be ordered with integrated Siemens Climatix (CX) control equipment or without control equipment (ET).
- Comes prepared for Modbus communication via RS485 (accessory needed).
- Airflow is generated by two silent anti-vibration plug fans with EC motors and impellers with backward curved blades.

- The fans are connected with quick connectors and are very easy to remove for cleaning.
- Speed controlled rotating aluminum heat exchanger with adjustable hub and purge sector. The rotor can be removed for cleaning.
- Deep pleated filter ePM1 65% as standard, for both exhaust and supply air. The filter is very easy to change.
- Available with integrated electric heater or heating coil.
- The water and electrical connections are positioned to facilitate practical and simple connection.
- The unit is made from aluminum-zinc-plated steel and insulated.
- For placement in both warm and cold environments.
- Available in either right-hand or left-hand design.
- Delivered with adjustable feet and Novibra mats.

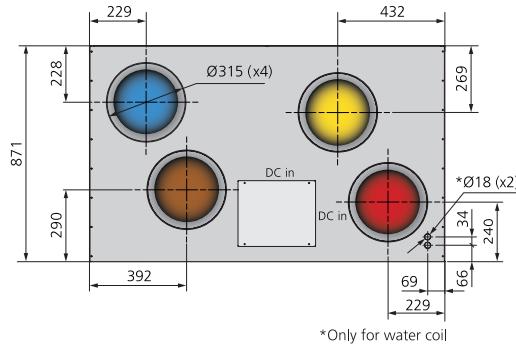
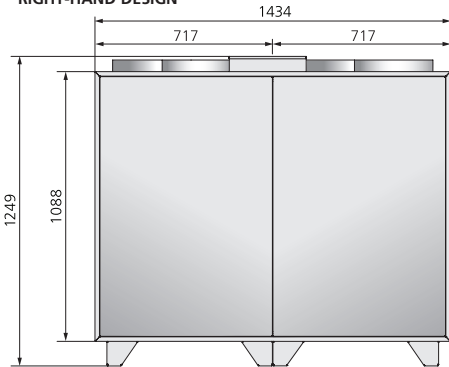
### ACCESSORIES

- Filterkit ePM1 65%
- Adjustable feet
- Novibra mat
- Control system
- Cooling coil
- Damper
- Flow meter
- U-pipe filter
- Valve actuator
- Shunt
- Water trap
- Silencer

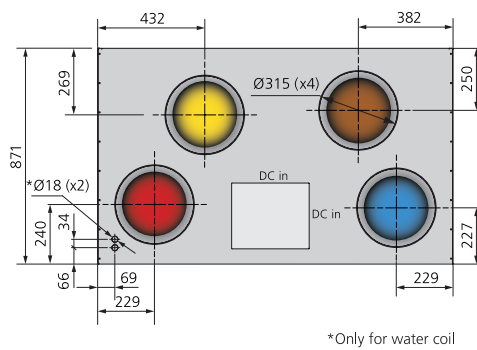
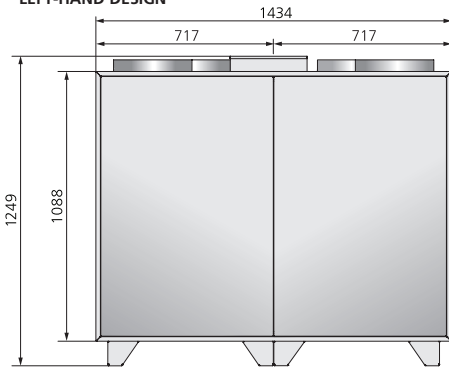


### DIMENSIONS (mm)

#### RIGHT-HAND DESIGN



#### LEFT-HAND DESIGN



### CONNECTIONS

- Supply air
- Extract air
- Exhaust air
- Fresh air

Top connection

EC = Fans with low-energy motors

Capacity

400V = 3-Phase

HERU®400T EC CX L W-400V

CX = Control system Siemens Climatix  
ET = Without control system, Routed to terminal block

W = Heater kit, water  
E = Electric heater

R = Right-hand design  
L = Left-hand design

| Type                    | Art.no.   |
|-------------------------|-----------|
| HERU®400 T EC CXLW 400V | 997030120 |
| HERU®400 T EC CXRW 400V | 997030122 |
| HERU®400 T EC CXLE 400V | 997030124 |
| HERU®400 T EC CXRE 400V | 997030126 |

# ENERGY RECOVERY UNIT

## HERU®400 T EC

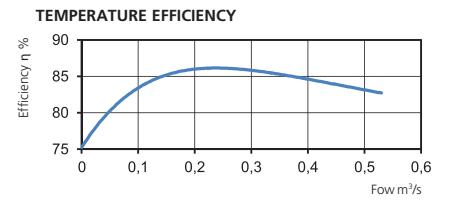
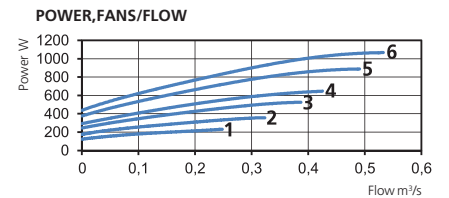
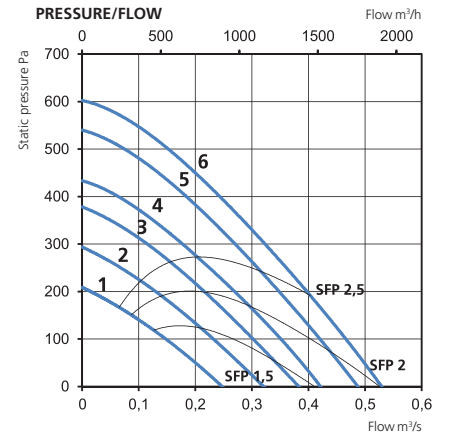


### TECHNICAL DATA

| HERU®400 T EC                    | LW    | LE                    |
|----------------------------------|-------|-----------------------|
| <b>Voltage</b>                   | Y 400 | Y 400 V               |
| <b>Frequency</b>                 | 50    | 50 Hz                 |
| <b>Phase</b>                     | 3     | 3 ~                   |
| <b>Current, 2 fans</b>           | 4.65  | 4.65 A                |
| <b>Current, electric heater</b>  | –     | 9.10 A                |
| <b>Total current</b>             | 5.40  | 14.50 A               |
| <b>Power, 2 fans</b>             | 1069  | 1069 W                |
| <b>Power, electric heater</b>    | –     | 6300 W                |
| <b>Total power</b>               | 1230  | 7530 W                |
| <b>Speed</b>                     | 2170  | 2170 rpm              |
| <b>Enclosure class</b>           | 44    | 44 IP                 |
| <b>Sound pressure level, 3 m</b> | 52    | 52 dB L <sub>PA</sub> |
| <b>Weight</b>                    | 241   | 245 kg                |

### SOUND DATA (dB)

|                        | Total (L <sub>wa</sub> ) | 63 Hz | 125 Hz | 250 Hz | 500 Hz | 1k Hz | 2k Hz | 4k Hz | 8k Hz |
|------------------------|--------------------------|-------|--------|--------|--------|-------|-------|-------|-------|
| <b>10 V / 420 l/s</b>  |                          |       |        |        |        |       |       |       |       |
| Surrounding            | 59                       | 46    | 52     | 56     | 45     | 41    | 46    | 45    | 34    |
| Supply air             | 78                       | 57    | 68     | 76     | 70     | 64    | 66    | 62    | 54    |
| Extract air            | 70                       | 55    | 62     | 69     | 51     | 43    | 44    | 35    | 22    |
| <b>9.5 V / 385 l/s</b> |                          |       |        |        |        |       |       |       |       |
| Surrounding            | 57                       | 44    | 52     | 53     | 43     | 40    | 44    | 45    | 34    |
| Supply air             | 77                       | 57    | 67     | 75     | 67     | 62    | 64    | 59    | 52    |
| Extract air            | 70                       | 54    | 62     | 69     | 49     | 41    | 43    | 34    | 20    |
| <b>8.5 V / 355 l/s</b> |                          |       |        |        |        |       |       |       |       |
| Surrounding            | 54                       | 43    | 52     | 46     | 41     | 36    | 41    | 43    | 31    |
| Supply air             | 73                       | 57    | 64     | 71     | 63     | 59    | 61    | 56    | 48    |
| Extract air            | 68                       | 54    | 62     | 67     | 46     | 39    | 40    | 30    | 16    |
| <b>8 V / 310 l/s</b>   |                          |       |        |        |        |       |       |       |       |
| Surrounding            | 54                       | 43    | 53     | 43     | 37     | 34    | 40    | 40    | 30    |
| Supply air             | 70                       | 57    | 64     | 67     | 61     | 58    | 60    | 54    | 46    |
| Extract air            | 64                       | 53    | 62     | 58     | 44     | 37    | 39    | 29    | 15    |
| <b>7 V / 285 l/s</b>   |                          |       |        |        |        |       |       |       |       |
| Surrounding            | 52                       | 42    | 51     | 40     | 33     | 30    | 35    | 33    | 30    |
| Supply air             | 67                       | 56    | 60     | 63     | 57     | 54    | 56    | 49    | 40    |
| Extract air            | 61                       | 52    | 59     | 52     | 41     | 34    | 36    | 25    | 14    |
| <b>6 V / 210 l/s</b>   |                          |       |        |        |        |       |       |       |       |
| Surrounding            | 48                       | 40    | 47     | 36     | 30     | 27    | 29    | 29    | 30    |
| Supply air             | 62                       | 53    | 55     | 58     | 51     | 48    | 52    | 44    | 34    |
| Extract air            | 58                       | 50    | 57     | 49     | 40     | 31    | 32    | 21    | 14    |



### CONTROL VOLTAGE

| 1  | 2  | 3  | 4    | 5    | 6   |
|----|----|----|------|------|-----|
| 6V | 7V | 8V | 8.5V | 9.5V | 10V |

Pressure/airflow diagrams apply for both supply and extract air. Power and SFP apply for both of the fans together.



# ENERGY RECOVERY UNIT

## HERU®600 T EC

- Compact unit with top connection.
- Designed for supply and exhaust air ventilation with energy recovery.
- Suitable for installation in homes, offices and other premises where there are stringent requirements on the indoor environment.
- High temperature efficiency 86%, low energy consumption (SFP), low sound level, high operating reliability and provides clean indoor air.
- Unique design minimizes all thermal bridges.
- Can be ordered with integrated Siemens Climatix (CX) control equipment or without control equipment (ET).
- Comes prepared for Modbus communication via RS485 (accessory needed).
- Airflow is generated by two silent anti-vibration plug fans with EC motors and impellers with backward curved blades.

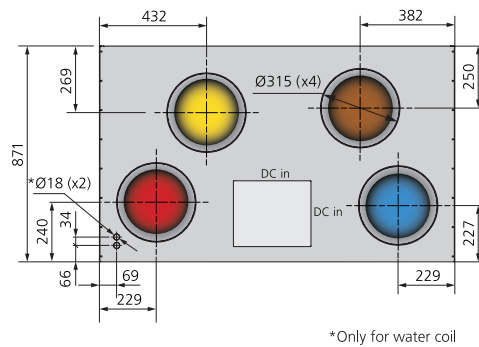
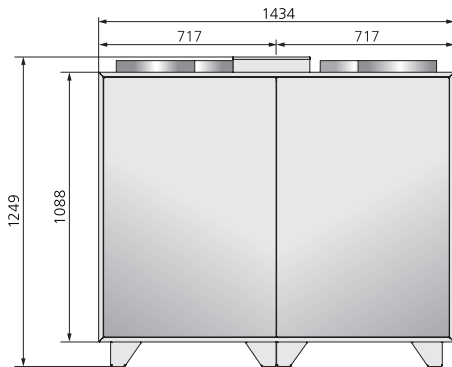
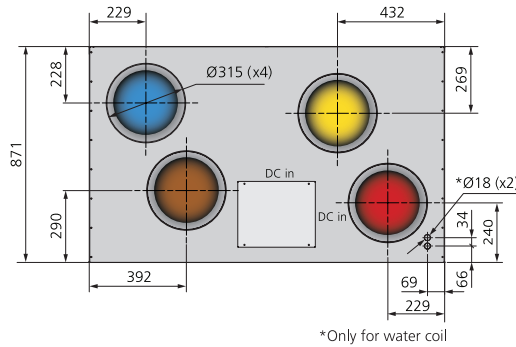
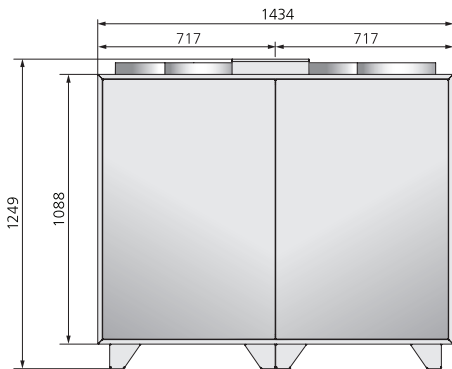
- The fans are connected with quick connectors and are very easy to remove for cleaning.
- Speed controlled rotating aluminum heat exchanger with adjustable hub and purge sector. The rotor can be removed for cleaning.
- Deep pleated filter ePM1 65% as standard, for both exhaust and supply air. The filter is very easy to change.
- Available with integrated electric heater or heating coil.
- The water and electrical connections are positioned to facilitate practical and simple connection.
- The unit is made from aluminum-zinc-plated steel and insulated.
- For placement in both warm and cold environments.
- Available in either right-hand or left-hand design.
- Delivered with adjustable feet and Novibra mats.

### ACCESSORIES

- Filterkit ePM1 65%
- Adjustable feet
- Novibra mat
- Control system
- Cooling coil
- Damper
- Flow meter
- U-pipe filter
- Valve actuator
- Shunt
- Water trap
- Silencer



### DIMENSIONS (mm)



### CONNECTIONS

- Supply air
- Extract air
- Exhaust air
- Fresh air

Top connection

EC = Fans with low-energy motors

Capacity

400V = 3-phase

**HERU®600T EC CX L W-400V**

CX = Control system Siemens Climatix  
ET = Without control system, Routed to terminal block

W = Heater kit, water  
E = Electric heater

R = Right-hand design  
L = Left-hand design

| Type                    | Art.no.   |
|-------------------------|-----------|
| HERU®600 T EC CXLW 400V | 997030220 |
| HERU®600 T EC CXRW 400V | 997030222 |
| HERU®600 T EC CXLE 400V | 997030224 |
| HERU®600 T EC CXRE 400V | 997030226 |

# ENERGY RECOVERY UNIT

## HERU®600 T EC

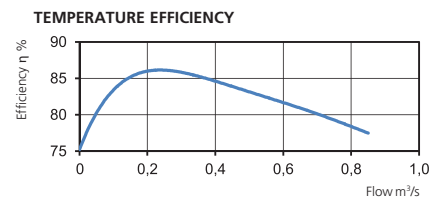
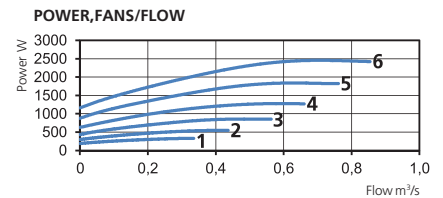
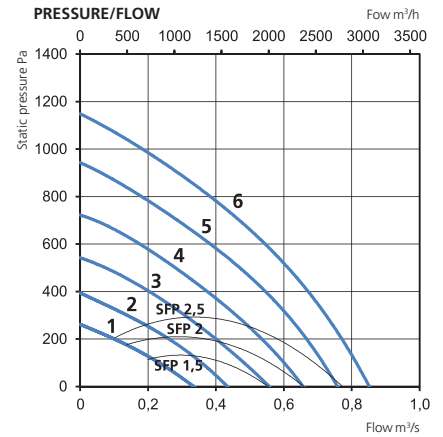


### TECHNICAL DATA

| HERU®600 T EC                    | LW    | LE                    |
|----------------------------------|-------|-----------------------|
| <b>Voltage</b>                   | Y 400 | Y 400 V               |
| <b>Frequency</b>                 | 50    | 50 Hz                 |
| <b>Phase</b>                     | 3     | 3 ~                   |
| <b>Current, 2 fans</b>           | 10.70 | 10.70 A               |
| <b>Current, electric heater</b>  | –     | 9.10 A                |
| <b>Total current</b>             | 11.40 | 20.50 A               |
| <b>Power, 2 fans</b>             | 2460  | 2460 W                |
| <b>Power, electric heater</b>    | –     | 6300 W                |
| <b>Total power</b>               | 2630  | 8980 W                |
| <b>Speed</b>                     | 2900  | 2900 rpm              |
| <b>Enclosure class</b>           | 44    | 44 IP                 |
| <b>Sound pressure level, 3 m</b> | 54    | 54 dB L <sub>PA</sub> |
| <b>Weight</b>                    | 251   | 255 kg                |

### SOUND DATA (dB)

|                       | Total (L <sub>wa</sub> ) | 63 Hz | 125 Hz | 250 Hz | 500 Hz | 1k Hz | 2k Hz | 4k Hz | 8k Hz |
|-----------------------|--------------------------|-------|--------|--------|--------|-------|-------|-------|-------|
| <b>10 V / 745 l/s</b> |                          |       |        |        |        |       |       |       |       |
| Surrounding           | 61                       | 51    | 52     | 56     | 51     | 50    | 56    | 46    | 36    |
| Supply air            | 86                       | 59    | 63     | 81     | 74     | 74    | 83    | 76    | 68    |
| Extract air           | 71                       | 58    | 63     | 69     | 62     | 55    | 57    | 48    | 40    |
| <b>9 V / 658 l/s</b>  |                          |       |        |        |        |       |       |       |       |
| Surrounding           | 60                       | 48    | 50     | 58     | 48     | 47    | 52    | 41    | 32    |
| Supply air            | 85                       | 57    | 62     | 81     | 73     | 71    | 80    | 72    | 65    |
| Extract air           | 70                       | 56    | 61     | 68     | 60     | 52    | 52    | 46    | 37    |
| <b>8 V / 572 l/s</b>  |                          |       |        |        |        |       |       |       |       |
| Surrounding           | 60                       | 45    | 47     | 59     | 46     | 44    | 46    | 37    | 30    |
| Supply air            | 81                       | 54    | 63     | 78     | 72     | 69    | 73    | 68    | 60    |
| Extract air           | 72                       | 53    | 59     | 71     | 56     | 48    | 49    | 42    | 32    |
| <b>7 V / 434 l/s</b>  |                          |       |        |        |        |       |       |       |       |
| Surrounding           | 54                       | 42    | 47     | 52     | 43     | 41    | 39    | 33    | 28    |
| Supply air            | 76                       | 51    | 67     | 72     | 66     | 67    | 69    | 64    | 56    |
| Extract air           | 71                       | 52    | 60     | 71     | 52     | 46    | 44    | 39    | 31    |
| <b>6 V / 380 l/s</b>  |                          |       |        |        |        |       |       |       |       |
| Surrounding           | 48                       | 38    | 47     | 41     | 36     | 36    | 34    | 29    | 28    |
| Supply air            | 71                       | 49    | 64     | 65     | 60     | 63    | 63    | 58    | 51    |
| Extract air           | 65                       | 48    | 63     | 59     | 45     | 41    | 39    | 31    | 22    |
| <b>5 V / 284 l/s</b>  |                          |       |        |        |        |       |       |       |       |
| Surrounding           | 48                       | 35    | 48     | 37     | 30     | 31    | 28    | 26    | 27    |
| Supply air            | 65                       | 48    | 59     | 60     | 54     | 56    | 56    | 51    | 43    |
| Extract air           | 58                       | 44    | 57     | 50     | 39     | 32    | 33    | 24    | 16    |



### CONTROL VOLTAGE

| 1  | 2  | 3  | 4  | 5  | 6   |
|----|----|----|----|----|-----|
| 5V | 6V | 7V | 8V | 9V | 10V |

Pressure/airflow diagrams apply for both supply and extract air. Power and SFP apply for both of the fans together.



# ENERGY RECOVERY UNIT

## HERU®800 T EC

- Compact unit with top connection.
- Designed for supply and exhaust air ventilation with energy recovery.
- Suitable for installation in homes, offices and other premises where there are stringent requirements on the indoor environment.
- High temperature efficiency 86%, low energy consumption (SFP), low sound level, high operating reliability and provides clean indoor air.
- Unique design minimizes all thermal bridges.
- Can be ordered with integrated Siemens Climatix (CX) control equipment or without control equipment (ET).
- Comes prepared for Modbus communication via RS485 (accessory needed).
- Airflow is generated by two silent anti-vibration plug fans with EC motors and impellers with backward curved blades.

- The fans are connected with quick connectors and are very easy to remove for cleaning.
- Speed controlled rotating aluminum heat exchanger with adjustable hub and purge sector. The rotor can be removed for cleaning.
- Deep pleated filter ePM1 65% as standard, for both exhaust and supply air. The filter is very easy to change.
- Available with integrated electric heater or heating coil.
- The water and electrical connections are positioned to facilitate practical and simple connection.
- The unit is made from aluminum-zinc-plated steel and insulated.
- For placement in both warm and cold environments.
- Available in either right-hand or left-hand design.
- Delivered with adjustable feet and Novibra mats.

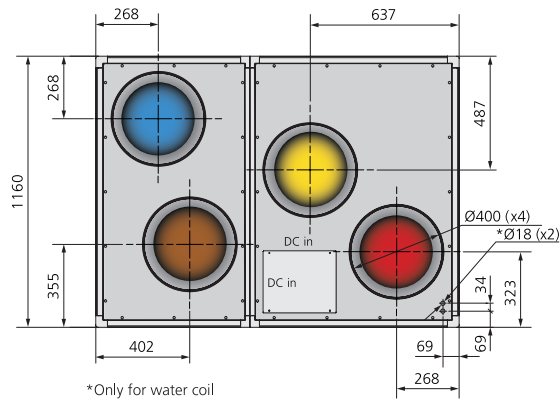
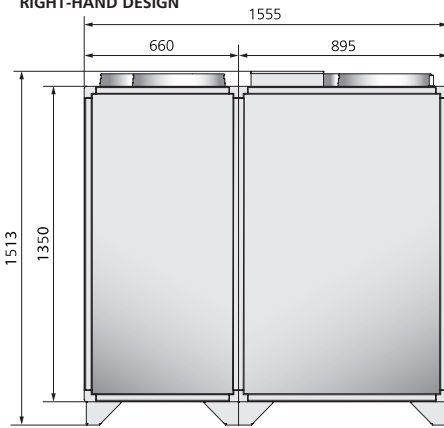
### ACCESSORIES

- Filterkit ePM1 65%
- Adjustable feet
- Novibra mat
- Control system
- Cooling coil
- Damper
- Flow meter
- U-pipe filter
- Valve actuator
- Shunt
- Water trap
- Silencer



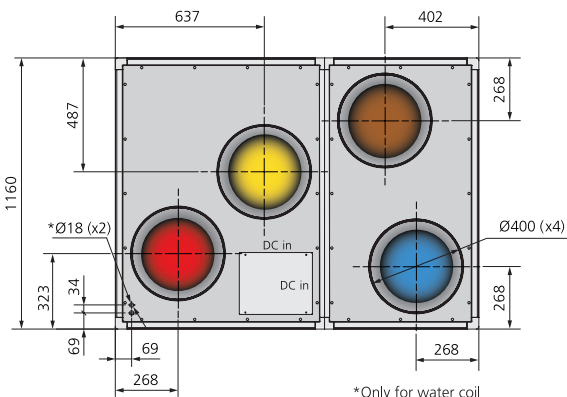
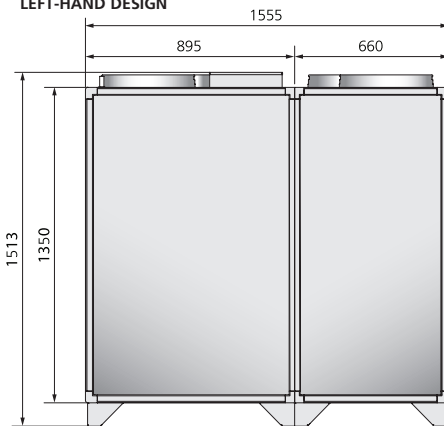
### DIMENSIONS (mm)

#### RIGHT-HAND DESIGN



\*Only for water coil

#### LEFT-HAND DESIGN



\*Only for water coil

### CONNECTIONS

- Supply air
- Extract air
- Exhaust air
- Fresh air

| Type                    | Art.no.   |
|-------------------------|-----------|
| HERU®800 T EC CXLW 400V | 997030128 |
| HERU®800 T EC CXRW 400V | 997030130 |
| HERU®800 T EC CXLE 400V | 997030132 |
| HERU®800 T EC CXRE 400V | 997030134 |

Top connection

EC = Fans with low-energy motors

Capacity

400V = 3-Phase

HERU®800T EC CX L W-400V

CX = Control system Siemens Climatix  
ET = Without control system, Routed to terminal block

W = Heater kit, water  
E = Electric heater

R = Right-hand design  
L = Left-hand design



# ENERGY RECOVERY UNIT

## HERU®800 T EC

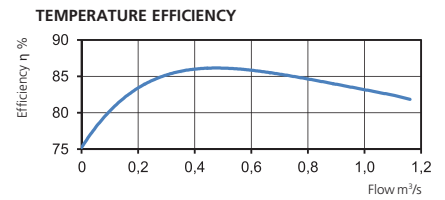
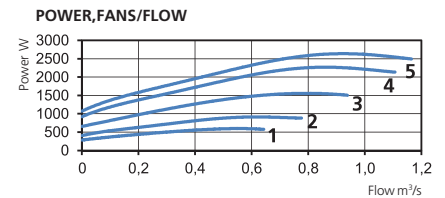
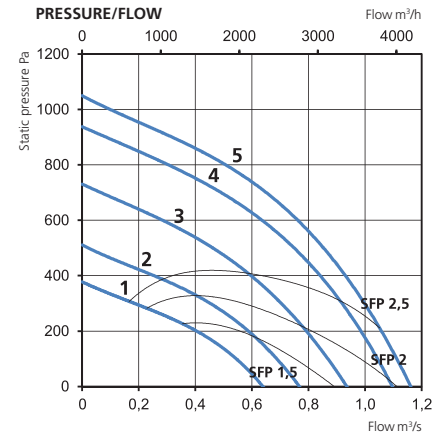


### TECHNICAL DATA

| HERU®800 T EC                    | LW    | LE                    |
|----------------------------------|-------|-----------------------|
| <b>Voltage</b>                   | Y 400 | Y 400 V               |
| <b>Frequency</b>                 | 50    | 50 Hz                 |
| <b>Phase</b>                     | 3     | 3 ~                   |
| <b>Current, 2 fans</b>           | 3.80  | 3.80 A                |
| <b>Current, electric heater</b>  | –     | 14.30 A               |
| <b>Total current</b>             | 4.10  | 18.40 A               |
| <b>Power, 2 fans</b>             | 2630  | 2630 W                |
| <b>Power, electric heater</b>    | –     | 9900 W                |
| <b>Total power</b>               | 2790  | 12690 W               |
| <b>Speed</b>                     | 2510  | 2510 rpm              |
| <b>Enclosure class</b>           | 44    | 44 IP                 |
| <b>Sound pressure level, 3 m</b> | 56    | 56 dB L <sub>PA</sub> |
| <b>Weight</b>                    | 347   | 350 kg                |

### SOUND DATA (dB)

|                        | Total (L <sub>wa</sub> ) | 63 Hz | 125 Hz | 250 Hz | 500 Hz | 1k Hz | 2k Hz | 4k Hz | 8k Hz |
|------------------------|--------------------------|-------|--------|--------|--------|-------|-------|-------|-------|
| <b>10 V / 960 l/s</b>  |                          |       |        |        |        |       |       |       |       |
| Surrounding            | 63                       | 55    | 59     | 60     | 49     | 48    | 49    | 49    | 35    |
| Supply air             | 80                       | 61    | 64     | 76     | 70     | 70    | 76    | 67    | 62    |
| Extract air            | 71                       | 58    | 60     | 68     | 65     | 60    | 53    | 46    | 37    |
| <b>9.5 V / 900 l/s</b> |                          |       |        |        |        |       |       |       |       |
| Surrounding            | 62                       | 52    | 58     | 60     | 47     | 47    | 47    | 47    | 34    |
| Supply air             | 78                       | 59    | 63     | 75     | 68     | 69    | 71    | 66    | 61    |
| Extract air            | 69                       | 56    | 58     | 66     | 63     | 58    | 54    | 45    | 36    |
| <b>8.5 V / 770 l/s</b> |                          |       |        |        |        |       |       |       |       |
| Surrounding            | 62                       | 50    | 56     | 60     | 44     | 43    | 43    | 44    | 31    |
| Supply air             | 78                       | 57    | 62     | 76     | 67     | 67    | 68    | 62    | 57    |
| Extract air            | 71                       | 54    | 57     | 70     | 60     | 54    | 49    | 42    | 32    |
| <b>7 V / 660 l/s</b>   |                          |       |        |        |        |       |       |       |       |
| Surrounding            | 58                       | 45    | 57     | 51     | 38     | 38    | 37    | 37    | 29    |
| Supply air             | 69                       | 52    | 64     | 64     | 59     | 61    | 61    | 56    | 51    |
| Extract air            | 62                       | 50    | 59     | 58     | 53     | 45    | 44    | 35    | 24    |
| <b>6 V / 530 l/s</b>   |                          |       |        |        |        |       |       |       |       |
| Surrounding            | 58                       | 41    | 58     | 44     | 34     | 35    | 34    | 33    | 29    |
| Supply air             | 65                       | 49    | 57     | 61     | 54     | 57    | 57    | 50    | 47    |
| Extract air            | 58                       | 47    | 55     | 52     | 48     | 40    | 39    | 30    | 19    |



### CONTROL VOLTAGE

| 1  | 2  | 3    | 4    | 5   |
|----|----|------|------|-----|
| 6V | 7V | 8.5V | 9.5V | 10V |

Pressure/airflow diagrams apply for both supply and extract air. Power and SFP apply for both of the fans together.



# ENERGY RECOVERY UNIT

## HERU®1200 T EC

- Compact unit with top connection.
- Designed for supply and exhaust air ventilation with energy recovery.
- Suitable for installation in homes, offices and other premises where there are stringent requirements on the indoor environment.
- High temperature efficiency 86%, low energy consumption (SFP), low sound level, high operating reliability and provides clean indoor air.
- Unique design minimizes all thermal bridges.
- Can be ordered with integrated Siemens Climatix (CX) control equipment or without control equipment (ET).
- Comes prepared for Modbus communication via RS485 (accessory needed).
- Airflow is generated by two silent anti-vibration plug fans with EC motors and impellers with backward curved blades.

- The fans are connected with quick connectors and are very easy to remove for cleaning.
- Speed controlled rotating aluminum heat exchanger with adjustable hub and purge sector. The rotor can be removed for cleaning.
- Deep pleated filter ePM1 65% as standard, for both exhaust and supply air. The filter is very easy to change.
- Available with integrated electric heater or heating coil.
- The water and electrical connections are positioned to facilitate practical and simple connection.
- The unit is made from aluminum-zinc-plated steel and insulated.
- For placement in both warm and cold environments.
- Available in either right-hand or left-hand design.
- Delivered with adjustable feet and Novibra mats.

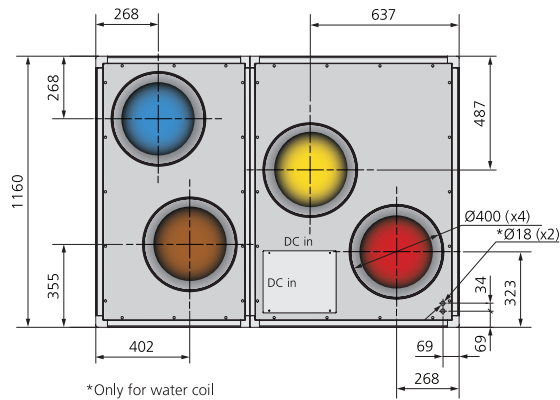
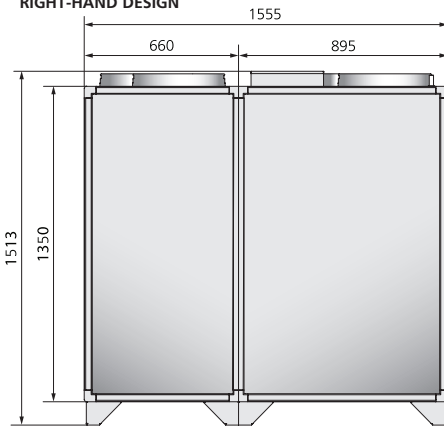
### ACCESSORIES

- Filterkit ePM1 65%
- Adjustable feet
- Novibra mat
- Control system
- Cooling coil
- Damper
- Flow meter
- U-pipe filter
- Valve actuator
- Shunt
- Water trap
- Silencer

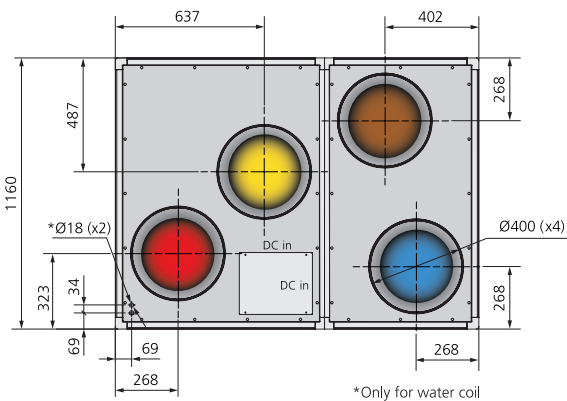
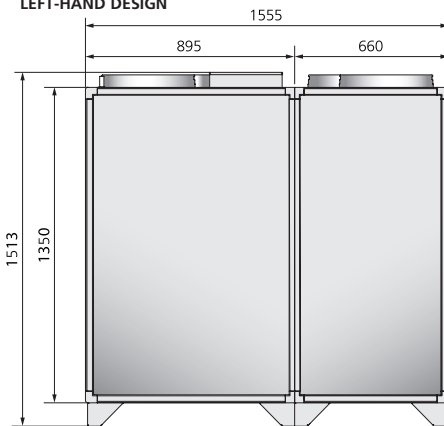


### DIMENSIONS (mm)

#### RIGHT-HAND DESIGN



#### LEFT-HAND DESIGN



### CONNECTIONS

- Supply air
- Extract air
- Exhaust air
- Fresh air

| Type                     | Art.no.   |
|--------------------------|-----------|
| HERU®1200 T EC CXLW 400V | 997030176 |
| HERU®1200 T EC CXRW 400V | 997030177 |
| HERU®1200 T EC CXLE 400V | 997030178 |
| HERU®1200 T EC CXRE 400V | 997030179 |

Top connection

EC = Fans with low-energy motors

Capacity

400V = 3-Phase

# HERU®1200T EC CX L W-400V

CX = Control system Siemens Climatix  
ET = Without control system, Routed to terminal block

W = Heater kit, water  
E = Electric heater

R = Right-hand design  
L = Left-hand design

# ENERGY RECOVERY UNIT

## HERU®1200 T EC

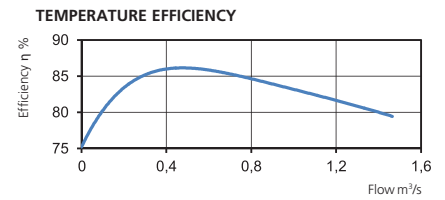
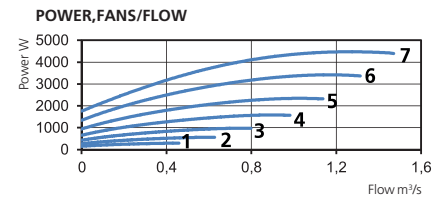
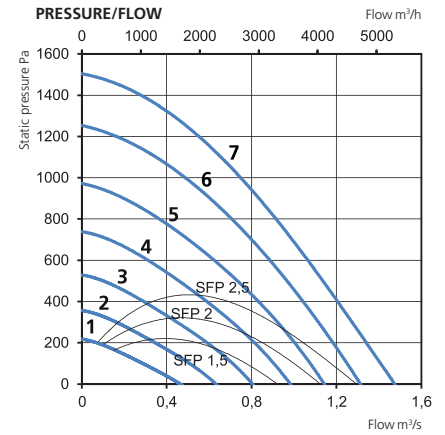


### TECHNICAL DATA

| HERU®1200 T EC                   | LW    | LE                    |
|----------------------------------|-------|-----------------------|
| <b>Voltage</b>                   | Y 400 | Y 400 V               |
| <b>Frequency</b>                 | 50    | 50 Hz                 |
| <b>Phase</b>                     | 3     | 3 ~                   |
| <b>Current, 2 fans</b>           | 6.43  | 6.43 A                |
| <b>Current, electric heater</b>  | –     | 14.30 A               |
| <b>Total current</b>             | 6.70  | 21.00 A               |
| <b>Power, 2 fans</b>             | 4450  | 4450 W                |
| <b>Power, electric heater</b>    | –     | 9900 W                |
| <b>Total power</b>               | 4620  | 14520 W               |
| <b>Speed</b>                     | 2970  | 2970 rpm              |
| <b>Enclosure class</b>           | 44    | 44 IP                 |
| <b>Sound pressure level, 3 m</b> | 65    | 65 dB L <sub>PA</sub> |
| <b>Weight</b>                    | 351   | 354 kg                |

### SOUND DATA (dB)

|                        | Total (L <sub>wa</sub> ) | 63 Hz | 125 Hz | 250 Hz | 500 Hz | 1k Hz | 2k Hz | 4k Hz | 8k Hz |
|------------------------|--------------------------|-------|--------|--------|--------|-------|-------|-------|-------|
| <b>10 V / 1122 l/s</b> |                          |       |        |        |        |       |       |       |       |
| Surrounding            | 72                       | 59    | 66     | 67     | 60     | 61    | 64    | 59    | 47    |
| Supply air             | 92                       | 68    | 73     | 85     | 83     | 87    | 86    | 80    | 73    |
| Extract air            | 78                       | 69    | 71     | 75     | 68     | 66    | 65    | 57    | 48    |
| <b>9 V / 1020 l/s</b>  |                          |       |        |        |        |       |       |       |       |
| Surrounding            | 70                       | 58    | 65     | 66     | 58     | 59    | 61    | 56    | 41    |
| Supply air             | 90                       | 69    | 72     | 83     | 81     | 85    | 83    | 77    | 69    |
| Extract air            | 76                       | 66    | 69     | 73     | 65     | 64    | 61    | 54    | 45    |
| <b>8 V / 909 l/s</b>   |                          |       |        |        |        |       |       |       |       |
| Surrounding            | 67                       | 55    | 63     | 63     | 54     | 55    | 57    | 52    | 37    |
| Supply air             | 87                       | 64    | 70     | 82     | 78     | 81    | 79    | 73    | 65    |
| Extract air            | 73                       | 63    | 67     | 70     | 61     | 60    | 58    | 50    | 41    |
| <b>7 V / 797 l/s</b>   |                          |       |        |        |        |       |       |       |       |
| Surrounding            | 65                       | 53    | 61     | 61     | 50     | 51    | 52    | 46    | 32    |
| Supply air             | 82                       | 62    | 68     | 77     | 73     | 77    | 74    | 68    | 60    |
| Extract air            | 71                       | 61    | 65     | 67     | 58     | 56    | 54    | 46    | 36    |
| <b>6 V / 657 l/s</b>   |                          |       |        |        |        |       |       |       |       |
| Surrounding            | 61                       | 50    | 58     | 57     | 46     | 46    | 47    | 41    | 28    |
| Supply air             | 78                       | 59    | 65     | 73     | 70     | 72    | 69    | 63    | 54    |
| Extract air            | 69                       | 59    | 62     | 67     | 53     | 51    | 49    | 40    | 30    |
| <b>5 V / 525 l/s</b>   |                          |       |        |        |        |       |       |       |       |
| Surrounding            | 56                       | 47    | 54     | 50     | 40     | 40    | 41    | 34    | 26    |
| Supply air             | 72                       | 57    | 63     | 66     | 63     | 67    | 63    | 56    | 47    |
| Extract air            | 63                       | 55    | 60     | 57     | 46     | 45    | 42    | 33    | 21    |
| <b>4 V / 381 l/s</b>   |                          |       |        |        |        |       |       |       |       |
| Surrounding            | 50                       | 43    | 48     | 43     | 33     | 33    | 33    | 28    | 26    |
| Supply air             | 66                       | 53    | 58     | 60     | 56     | 61    | 55    | 48    | 37    |
| Extract air            | 57                       | 52    | 53     | 50     | 38     | 38    | 34    | 24    | 12    |



### CONTROL VOLTAGE

| 1  | 2  | 3  | 4  | 5  | 6  | 7   |
|----|----|----|----|----|----|-----|
| 4V | 5V | 6V | 7V | 8V | 9V | 10V |

Pressure/airflow diagrams apply for both supply and extract air. Power and SFP apply for both of the fans together.



# ENERGY RECOVERY UNIT

## HERU®50 LP EC

- Energy recovery unit with low profile and side connections. Ideal for mounting in small spaces such in the ceiling.
- Designed for supply and exhaust air ventilation with energy recovery.
- Suitable for installation in homes, offices and other premises where there are stringent requirements on the indoor environment.
- High temperature efficiency 82%, low energy consumption (SFP), low sound level, high operating reliability and provides clean indoor air.
- Unique design minimizes all thermal bridges.
- For easy handling, the unit is remote-controlled using the wireless control unit for operation and monitoring.
- Comes prepared for Modbus communication via RS485 (accessory needed).

- Airflow is generated by two silent radial fans with EC motors and impellers with forward curved blades.
- The fans are connected with quick connectors and are very easy to remove for cleaning.
- A regenerative, non-hygroscopic, aluminum rotating heat exchanger located in the center of the unit. The heat exchanger can also be removed for cleaning.
- Comes with panel ePM1 50% as standard, for both exhaust and supply air. The filter is very easy to change.
- Integrated controls for heating/cooling.
- Available with or without integrated electric heater.
- The unit is constructed of double-layer galvanized steel sheet with insulation in between.
- For placement in warm areas.
- Available in either right-hand or left-hand design.

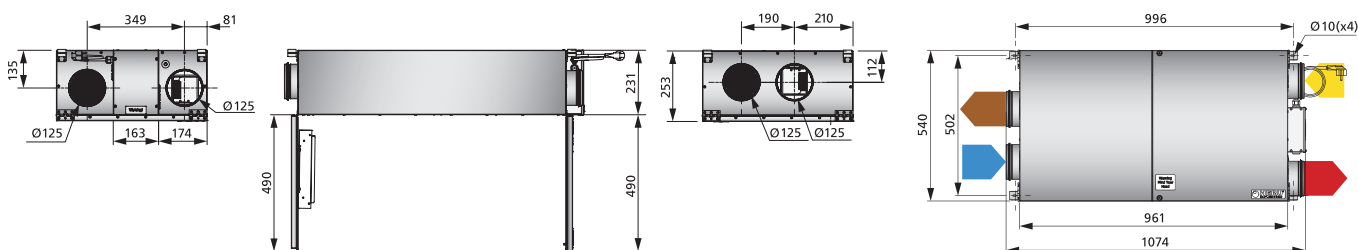
### ACCESSORIES

- Filterkit ePM1 50%
- Outside wall hood 160
- Remote Control with Modbus
- Control board
- Heater Kit Water, Relay pump control
- Pressure Sensor Kit
- Damper motor
- Carbon dioxide sensor CO2
- Humidity sensor RH
- Room sensor
- Duct sensor
- Freeze protection sensor
- Extension cable to antenna
- Silencer LDC 125

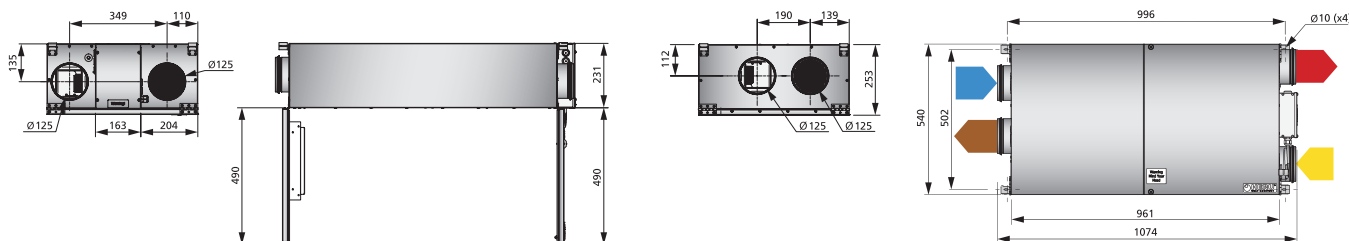


### DIMENSIONS (mm)

#### RIGHT-HAND DESIGN



#### LEFT-HAND DESIGN



### CONNECTIONS

- Supply air
- Extract air
- Exhaust air
- Fresh air

| Type             | Art.no. |
|------------------|---------|
| HERU®50 LP EC AR | 8010744 |
| HERU®50 LP EC AL | 8010745 |
| HERU®50 LP EC CR | 8010746 |
| HERU®50 LP EC CL | 8010747 |

Low profile

Capacity

EC = Fans with low-energy motors

# HERU®50 LP EC AR

A = Integrated electric heater

C = Without electric heater

R = Right-hand design

L = Left-hand design



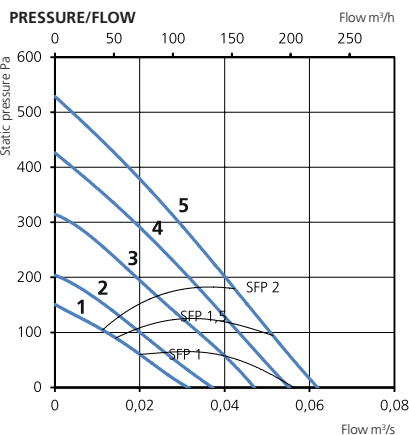
# ENERGY RECOVERY UNIT

## HERU<sup>®</sup>50 LP EC

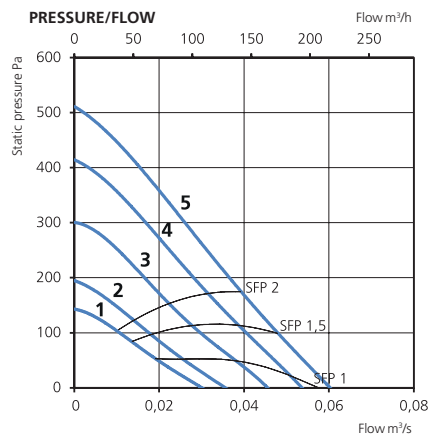
### TECHNICAL DATA

| HERU <sup>®</sup> 50 LP EC | A       | C         |
|----------------------------|---------|-----------|
| Voltage                    | 230     | 230 V     |
| Frequency                  | 50      | 50 Hz     |
| Phase                      | 1       | 1 ~       |
| Current, 2 fans            | 1.02    | 1.02 A    |
| Current, electric heater   | 3.91    | - A       |
| Total current              | 5.00    | 1.12 A    |
| Power, 2 fans              | 115     | 115 W     |
| Power, electric heater     | 900     | - W       |
| Total power                | 1040    | 142 W     |
| Speed                      | 3400    | 3400 rpm  |
| Enclosure class            | 41      | 41 IP     |
| Sound pressure level, 3 m  | 41      | 41 dB LpA |
| Weight                     | 46      | 45 kg     |
| Wiring diagram             | 4040201 | 4040201   |

### SUPPLY AIR:



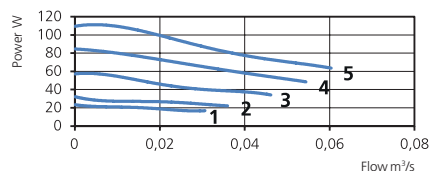
### EXTRACT AIR:



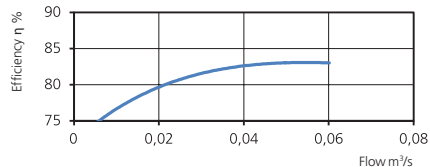
### SOUND DATA (dB)

|                      | Total (L <sub>wa</sub> ) | 63 Hz | 125 Hz | 250 Hz | 500 Hz | 1k Hz | 2k Hz | 4k Hz | 8k Hz |
|----------------------|--------------------------|-------|--------|--------|--------|-------|-------|-------|-------|
| <b>10 V / 40 l/s</b> |                          |       |        |        |        |       |       |       |       |
| Surrounding          | 48                       | 37    | 44     | 45     | 34     | 30    | 28    | 28    | 28    |
| Supply air           | 71                       | 59    | 61     | 64     | 64     | 65    | 63    | 58    | 56    |
| Extract air          | 70                       | 58    | 59     | 63     | 64     | 63    | 61    | 57    | 54    |
| <b>8 V / 37 l/s</b>  |                          |       |        |        |        |       |       |       |       |
| Surrounding          | 46                       | 35    | 42     | 43     | 35     | 28    | 26    | 27    | 28    |
| Supply air           | 69                       | 58    | 59     | 61     | 62     | 63    | 60    | 56    | 52    |
| Extract air          | 68                       | 56    | 57     | 61     | 62     | 61    | 58    | 54    | 50    |
| <b>6 V / 31 l/s</b>  |                          |       |        |        |        |       |       |       |       |
| Surrounding          | 44                       | 33    | 41     | 40     | 32     | 27    | 24    | 26    | 28    |
| Supply air           | 66                       | 55    | 55     | 59     | 59     | 60    | 56    | 51    | 46    |
| Extract air          | 65                       | 54    | 55     | 59     | 59     | 58    | 55    | 50    | 45    |
| <b>4 V / 23 l/s</b>  |                          |       |        |        |        |       |       |       |       |
| Surrounding          | 42                       | 29    | 39     | 36     | 26     | 25    | 22    | 26    | 28    |
| Supply air           | 62                       | 53    | 52     | 55     | 55     | 56    | 51    | 46    | 38    |
| Extract air          | 61                       | 54    | 51     | 55     | 54     | 54    | 50    | 44    | 36    |
| <b>2 V / 20 l/s</b>  |                          |       |        |        |        |       |       |       |       |
| Surrounding          | 41                       | 27    | 39     | 34     | 24     | 25    | 22    | 26    | 28    |
| Supply air           | 59                       | 51    | 49     | 52     | 52     | 53    | 47    | 42    | 32    |
| Extract air          | 58                       | 51    | 49     | 52     | 51     | 51    | 46    | 40    | 30    |

### POWER, FANS/FLOW



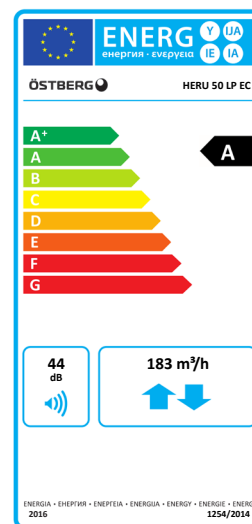
### TEMPERATURE EFFICIENCY



### CONTROL VOLTAGE

| 1  | 2  | 3  | 4  | 5   |
|----|----|----|----|-----|
| 2V | 4V | 6V | 8V | 10V |

Pressure/airflow diagrams apply for both supply and extract air. Power and SFP apply for both of the fans together.



# ENERGY RECOVERY UNIT

## HERU®90 LP EC

- Energy recovery unit with low profile and side connections. Ideal for mounting in small spaces such in the ceiling.
- Designed for supply and exhaust air ventilation with energy recovery.
- Suitable for installation in homes, offices and other premises where there are stringent requirements on the indoor environment.
- High temperature efficiency 82%, low energy consumption (SFP), low sound level, high operating reliability and provides clean indoor air.
- Unique design minimizes all thermal bridges.
- For easy handling, the unit is remote-controlled using the wireless control unit for operation and monitoring.
- Comes prepared for Modbus communication via RS485 (accessory needed).
- Airflow is generated by two silent radial fans with EC motors and impellers with forward curved blades.

- The fans are connected with quick connectors and are very easy to remove for cleaning.
- A regenerative, non-hygroscopic, aluminum rotating heat exchanger located in the center of the unit. The heat exchanger can also be removed for cleaning.
- Comes with panel filter ePM1 50% as standard, for both exhaust and supply air. The filter is very easy to change.
- Integrated controls for heating/cooling.
- Available with or without integrated electric heater.
- The unit is constructed of double-layer galvanized steel sheet with insulation in between.
- For placement in warm areas.
- Available in either right-hand or left-hand design.
- Can be ordered with a connection for a cooker hood. This connection is routed past the rotor to prevent cooking odours from spreading back into the premises.

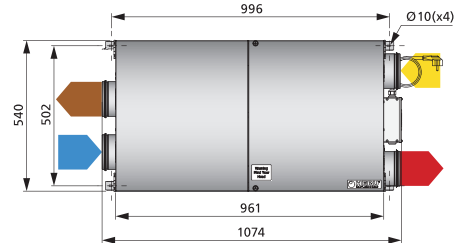
### ACCESSORIES

- Filterkit ePM1 50%
- Outside wall hood 160
- Remote Control with Modbus
- Control board
- Heater Kit Water
- Relay pump control
- Pressure Sensor Kit
- Damper motor
- Carbon dioxide sensor CO2
- Humidity sensor RH
- Room sensor
- Duct sensor
- Freeze protection sensor
- Extension cable to antenna
- Silencer LDC 125

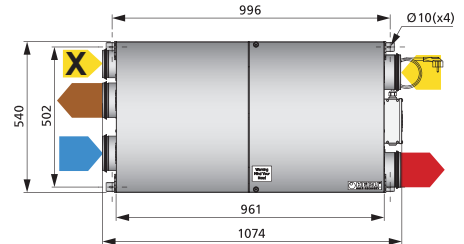


### DIMENSIONS (mm)

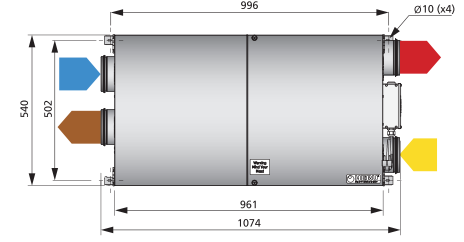
#### RIGHT-HAND DESIGN



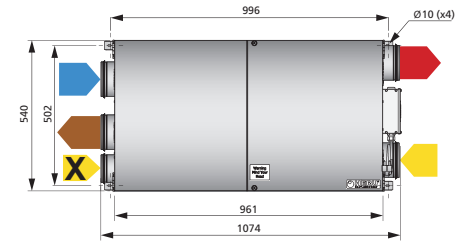
#### RIGHT-HAND DESIGN WITH COOKER HOOD CONNECTION



#### LEFT-HAND DESIGN



#### LEFT-HAND DESIGN WITH COOKER HOOD CONNECTION



### CONNECTIONS

- Supply air
- Extract air
- Exhaust air
- Fresh air
- ⊗ Cooker hood

| Type              | Art.no. |
|-------------------|---------|
| HERU®90 LP EC ARC | 8010736 |
| HERU®90 LP EC ALC | 8010737 |
| HERU®90 LP EC AR  | 8010738 |
| HERU®90 LP EC AL  | 8010739 |
| HERU®90 LP EC CR  | 8010740 |
| HERU®90 LP EC CL  | 8010741 |

Low profile

Capacity

EC = Fans with low-energy motors

Cooker hood connection

# HERU®90 LP EC ARC

A = Integrated electric heater

C = Without electric heater

R = Right-hand design

L = Left-hand design



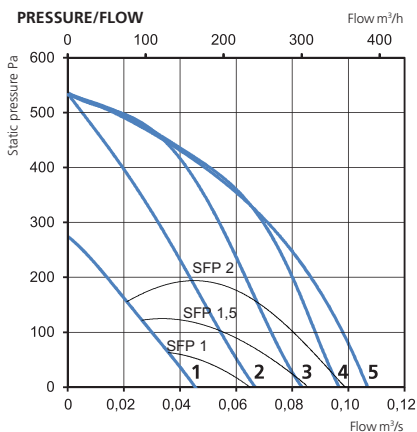
# ENERGY RECOVERY UNIT

## HERU<sup>®</sup>90 LP EC

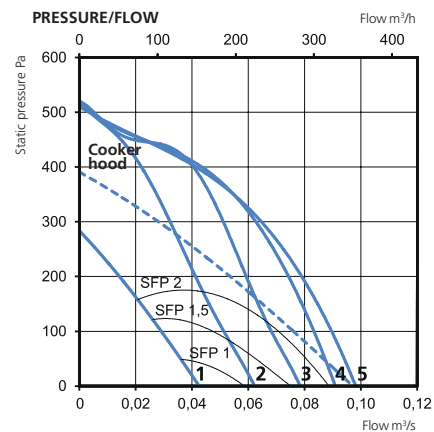
### TECHNICAL DATA

| HERU <sup>®</sup> 90 LP EC | A       | C         |
|----------------------------|---------|-----------|
| Voltage                    | 230     | 230 V     |
| Frequency                  | 50      | 50 Hz     |
| Phase                      | 1       | 1 ~       |
| Current, 2 fans            | 1.89    | 1.89 A    |
| Current, electric heater   | 3.91    | - A       |
| Total current              | 5.90    | 1.99 A    |
| Power, 2 fans              | 242     | 242 W     |
| Power, electric heater     | 900     | - W       |
| Total power                | 1170    | 269 W     |
| Speed                      | 2710    | 2710 rpm  |
| Enclosure class            | 41      | 41 IP     |
| Sound pressure level, 3 m  | 46      | 46 dB LpA |
| Weight                     | 46      | 45 kg     |
| Wiring diagram             | 4040200 | 4040200   |

### SUPPLY AIR:



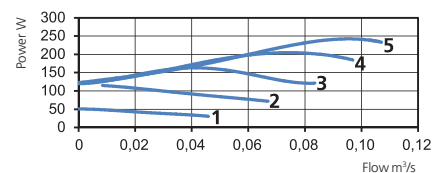
### EXTRACT AIR:



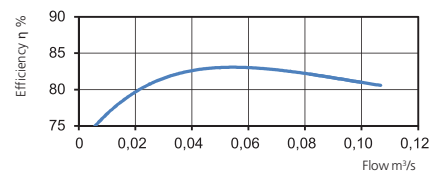
### SOUND DATA (dB)

|                      | Total (L <sub>wa</sub> ) | 63 Hz | 125 Hz | 250 Hz | 500 Hz | 1k Hz | 2k Hz | 4k Hz | 8k Hz |
|----------------------|--------------------------|-------|--------|--------|--------|-------|-------|-------|-------|
| <b>10 V / 84 l/s</b> |                          |       |        |        |        |       |       |       |       |
| Surrounding          | 53                       | 33    | 47     | 51     | 44     | 36    | 35    | 33    | 31    |
| Supply air           | 77                       | 64    | 63     | 68     | 70     | 70    | 72    | 67    | 67    |
| Extract air          | 61                       | 51    | 58     | 56     | 47     | 45    | 43    | 33    | 23    |
| <b>8 V / 79 l/s</b>  |                          |       |        |        |        |       |       |       |       |
| Surrounding          | 52                       | 32    | 44     | 50     | 43     | 35    | 34    | 32    | 30    |
| Supply air           | 76                       | 60    | 62     | 66     | 68     | 68    | 70    | 65    | 65    |
| Extract air          | 60                       | 50    | 57     | 55     | 46     | 45    | 41    | 32    | 22    |
| <b>6 V / 68 l/s</b>  |                          |       |        |        |        |       |       |       |       |
| Surrounding          | 50                       | 30    | 42     | 48     | 39     | 33    | 31    | 30    | 29    |
| Supply air           | 73                       | 58    | 59     | 63     | 65     | 66    | 66    | 62    | 61    |
| Extract air          | 57                       | 47    | 53     | 53     | 45     | 42    | 37    | 30    | 17    |
| <b>4 V / 54 l/s</b>  |                          |       |        |        |        |       |       |       |       |
| Surrounding          | 45                       | 25    | 38     | 43     | 35     | 31    | 27    | 27    | 28    |
| Supply air           | 68                       | 55    | 56     | 60     | 61     | 63    | 60    | 57    | 54    |
| Extract air          | 53                       | 41    | 50     | 49     | 40     | 38    | 32    | 25    | 11    |
| <b>2 V / 38 l/s</b>  |                          |       |        |        |        |       |       |       |       |
| Surrounding          | 40                       | 19    | 31     | 38     | 29     | 26    | 23    | 26    | 28    |
| Supply air           | 62                       | 52    | 51     | 54     | 54     | 57    | 52    | 48    | 41    |
| Extract air          | 47                       | 35    | 43     | 43     | 35     | 32    | 25    | 18    | 4     |

### POWER, FANS/FLOW



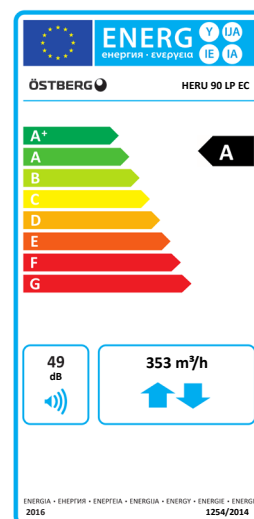
### TEMPERATURE EFFICIENCY



### CONTROL VOLTAGE

| 1  | 2  | 3  | 4  | 5   |
|----|----|----|----|-----|
| 2V | 4V | 6V | 8V | 10V |

Pressure/airflow diagrams apply for both supply and extract air. Power and SFP apply for both of the fans together.



# ENERGY RECOVERY UNIT

## HERU®50 S 2 AC

- Model with side connections.
- Designed for supply and exhaust air ventilation with energy recovery.
- Suitable for installation in homes, offices and other premises where there are stringent requirements on the indoor environment.
- High temperature efficiency 86%, low energy consumption (SFP), low sound level, high operating reliability and provides clean indoor air.
- Unique design minimizes all thermal bridges.
- For easy handling, the unit is remote-controlled using the wireless control unit for operation and monitoring.
- Comes prepared for Modbus communication via RS485 (accessory needed).
- Airflow is generated by two silent radial fans with AC motors, impellers with backward curved blades.
- The fans are connected with quick connectors and are very easy to remove for cleaning.

- A regenerative, non-hygroscopic, aluminum rotating heat exchanger located in the center of the unit. The heat exchanger can also be removed for cleaning.
- Comes with bag filter ePM1 65% as standard, for both exhaust and supply air. The filter is very easy to change.
- Integrated controls for heating/cooling.
- Available with or without integrated electric heater.
- The unit is constructed of double-layer galvanized steel sheet with insulation in between, and comes unpainted.
- For placement in warm or cold areas.
- Comes in right-hand version as standard, but can easily be rebuilt to left-hand design.
- Equipped with wall plug.

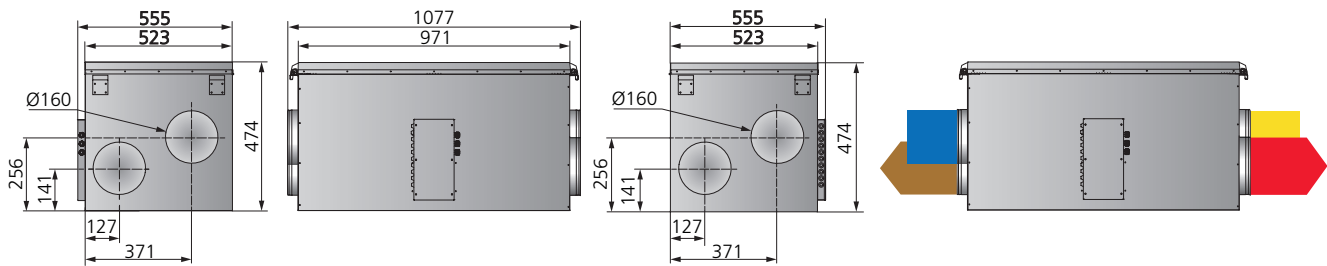
### ACCESSORIES

- Filterkit ePM1 65%
- Filter ePM Coarse 80%
- Outside wall hood 160
- Remote Control with Modbus
- Heater Kit Water
- Relay pump control
- Pressure Sensor Kit
- Damper motor
- Carbon dioxide sensor CO2
- Humidity sensor RH
- Room sensor
- Duct sensor
- Freeze protection sensor
- Extension cable to antenna
- Silencer LDC 160

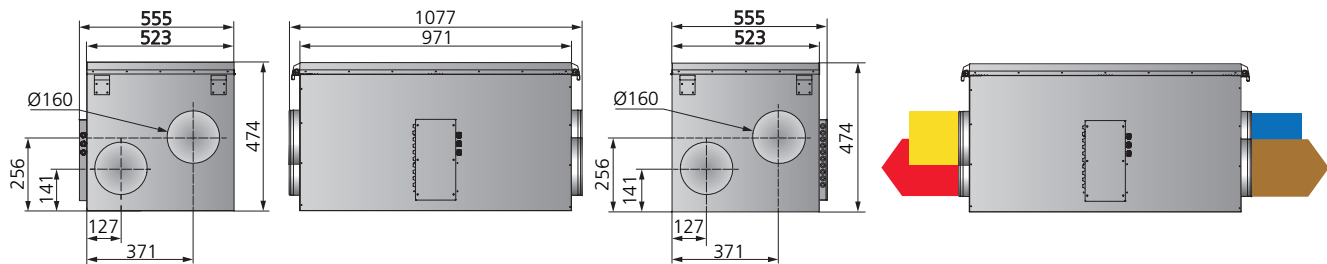


### DIMENSIONS (mm)

#### RIGHT-HAND DESIGN



#### LEFT-HAND DESIGN



### CONNECTIONS

- Supply air
- Extract air
- Exhaust air
- Fresh air

| Type                | Art.no. |
|---------------------|---------|
| HERU®50 S 2 A 1200W | 8010120 |
| HERU®50 S 2 C       | 8010122 |

### Side connection

Capacity

AC = Fans with asynchronous motors

HERU®50S2 AC A

Version

Integrated electric heater with:

A = Full power

C = Without electric heater



# ENERGY RECOVERY UNIT

## HERU<sup>®</sup>50 S 2 AC

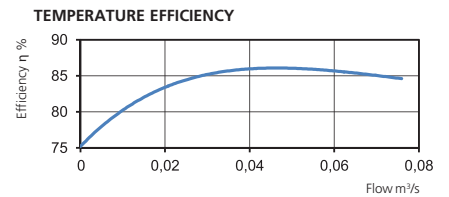
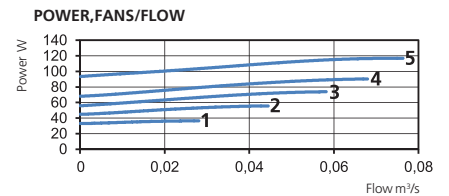
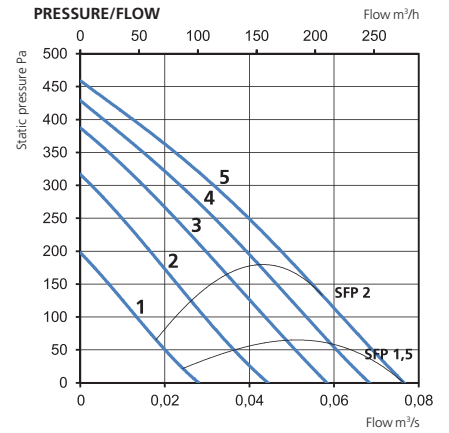


### TECHNICAL DATA

| HERU <sup>®</sup> 50 S 2         | A       | C                     |
|----------------------------------|---------|-----------------------|
| <b>Voltage</b>                   | 230     | 230 V                 |
| <b>Frequency</b>                 | 50      | 50 Hz                 |
| <b>Phase</b>                     | 1       | 1 ~                   |
| <b>Current, 2 fans</b>           | 0.51    | 0.51 A                |
| <b>Current, electric heater</b>  | 5.22    | - A                   |
| <b>Total current</b>             | 5.80    | 0.61 A                |
| <b>Power, 2 fans</b>             | 117     | 117 W                 |
| <b>Power, electric heater</b>    | 1200    | - W                   |
| <b>Total power</b>               | 1340    | 144 W                 |
| <b>Speed</b>                     | 2510    | 2510 rpm              |
| <b>Enclosure class</b>           | 41      | 41 IP                 |
| <b>Sound pressure level, 3 m</b> | 41      | 41 dB L <sub>PA</sub> |
| <b>Weight</b>                    | 67      | 65 kg                 |
| <b>Wiring diagram</b>            | 4040161 | 4040161               |

### SOUND DATA (dB)

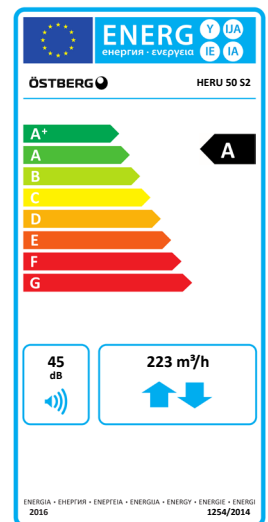
|                       | Total (L <sub>WA</sub> ) | 63 Hz | 125 Hz | 250 Hz | 500 Hz | 1k Hz | 2k Hz | 4k Hz | 8k Hz |
|-----------------------|--------------------------|-------|--------|--------|--------|-------|-------|-------|-------|
| <b>230 V / 55 l/s</b> |                          |       |        |        |        |       |       |       |       |
| Surrounding           | 48                       | 37    | 41     | 45     | 43     | 33    | 30    | 29    | 29    |
| Supply air            | 70                       | 54    | 62     | 66     | 64     | 61    | 59    | 56    | 48    |
| Extract air           | 58                       | 41    | 52     | 55     | 52     | 42    | 39    | 31    | 15    |
| <b>190 V / 51 l/s</b> |                          |       |        |        |        |       |       |       |       |
| Surrounding           | 50                       | 34    | 40     | 47     | 44     | 40    | 31    | 29    | 29    |
| Supply air            | 69                       | 54    | 60     | 66     | 63     | 59    | 57    | 54    | 45    |
| Extract air           | 57                       | 40    | 50     | 54     | 50     | 41    | 38    | 29    | 13    |
| <b>160 V / 45 l/s</b> |                          |       |        |        |        |       |       |       |       |
| Surrounding           | 45                       | 34    | 37     | 41     | 39     | 30    | 27    | 27    | 29    |
| Supply air            | 68                       | 52    | 57     | 66     | 61     | 56    | 54    | 51    | 40    |
| Extract air           | 54                       | 39    | 47     | 50     | 49     | 39    | 35    | 26    | 10    |
| <b>130 V / 36 l/s</b> |                          |       |        |        |        |       |       |       |       |
| Surrounding           | 42                       | 31    | 39     | 35     | 34     | 27    | 24    | 27    | 29    |
| Supply air            | 62                       | 49    | 53     | 59     | 55     | 51    | 49    | 43    | 32    |
| Extract air           | 52                       | 37    | 45     | 49     | 47     | 37    | 33    | 23    | 8     |
| <b>100 V / 23 l/s</b> |                          |       |        |        |        |       |       |       |       |
| Surrounding           | 41                       | 27    | 40     | 27     | 27     | 25    | 23    | 26    | 29    |
| Supply air            | 53                       | 44    | 47     | 47     | 48     | 44    | 38    | 30    | 22    |
| Extract air           | 43                       | 30    | 38     | 38     | 39     | 28    | 21    | 13    | 8     |



### TRANSFORMER STEPS

| 1    | 2    | 3    | 4    | 5    |
|------|------|------|------|------|
| 100V | 130V | 160V | 190V | 230V |

Pressure/airflow diagrams apply for both supply and extract air. Power and SFP apply for both of the fans together.



# ENERGY RECOVERY UNIT

## HERU®75 S 2 AC

- Model with side connections.
- Designed for supply and exhaust air ventilation with energy recovery.
- Suitable for installation in homes, offices and other premises where there are stringent requirements on the indoor environment.
- High temperature efficiency 86%, low energy consumption (SFP), low sound level, high operating reliability and provides clean indoor air.
- Unique design minimizes all thermal bridges.
- For easy handling, the unit is remote-controlled using the wireless control unit for operation and monitoring.
- Comes prepared for Modbus communication via RS485 (accessory needed).
- Airflow is generated by two silent radial fans with AC motors, impellers with backward curved blades.
- The fans are connected with quick connectors and are very easy to remove for cleaning.

- A regenerative, non-hygroscopic, aluminum rotating heat exchanger located in the center of the unit. The heat exchanger can also be removed for cleaning.
- Comes with bag filter ePM1 65% as standard, for both exhaust and supply air. The filter is very easy to change.
- Integrated controls for heating/cooling.
- Available with or without integrated electric heater.
- The unit is constructed of double-layer galvanized steel sheet with insulation in between, and comes unpainted.
- For placement in warm or cold areas.
- Comes in right-hand version as standard, but can easily be rebuilt to left-hand design.
- Equipped with wall plug.

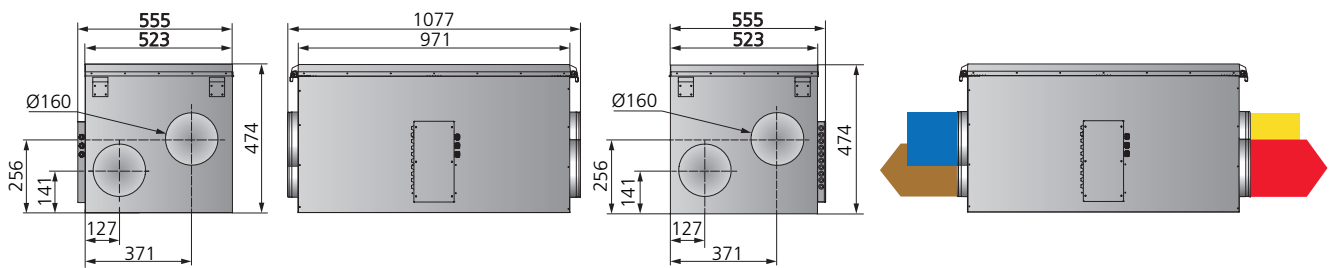
### ACCESSORIES

- Filterkit ePM1 65%
- Filter ePM Coarse 80%
- Outside wall hood 160
- Remote Control with Modbus
- Heater Kit Water
- Relay pump control
- Pressure Sensor Kit
- Damper motor
- Carbon dioxide sensor CO2
- Humidity sensor RH
- Room sensor
- Duct sensor
- Freeze protection sensor
- Extension cable to antenna
- Silencer LDC 160

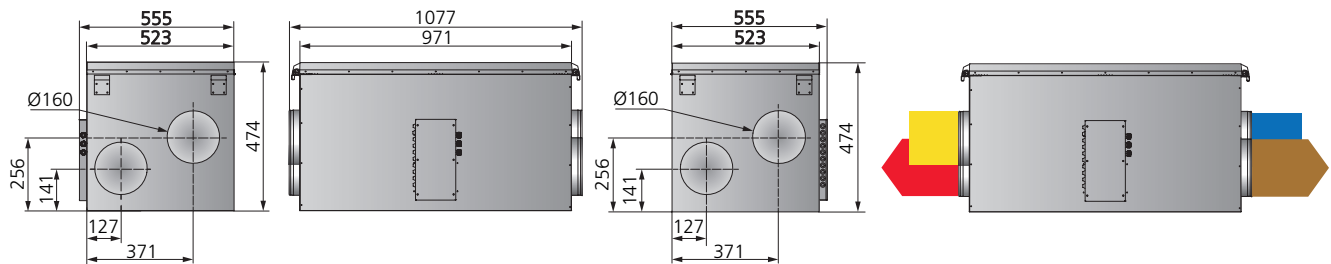


### DIMENSIONS (mm)

#### RIGHT-HAND DESIGN



#### LEFT-HAND DESIGN



### CONNECTIONS

- Supply air
- Extract air
- Exhaust air
- Fresh air

| Type                | Art.no. |
|---------------------|---------|
| HERU®75 S 2 A 1200W | 8010140 |
| HERU®75 S 2 C       | 8010142 |

### Side connection

Capacity

AC = Fans with asynchronous motors

HERU®75S2 AC A

Version

Integrated electric heater with:

A = Full power

C = Without electric heater



# ENERGY RECOVERY UNIT

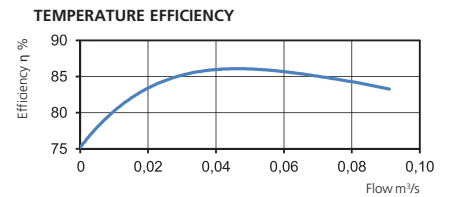
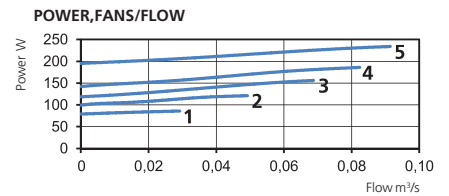
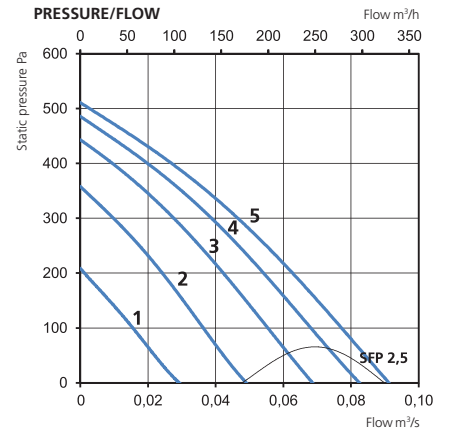
## HERU<sup>®</sup>75 S 2 AC

### TECHNICAL DATA

| HERU <sup>®</sup> 75 S 2         | A       | C                     |
|----------------------------------|---------|-----------------------|
| <b>Voltage</b>                   | 230     | 230 V                 |
| <b>Frequency</b>                 | 50      | 50 Hz                 |
| <b>Phase</b>                     | 1       | 1 ~                   |
| <b>Current, 2 fans</b>           | 1.09    | 1.09 A                |
| <b>Current, electric heater</b>  | 5.22    | - A                   |
| <b>Total current</b>             | 6.41    | 1.19 A                |
| <b>Power, 2 fans</b>             | 235     | 235 W                 |
| <b>Power, electric heater</b>    | 1200    | - W                   |
| <b>Total power</b>               | 1460    | 262 W                 |
| <b>Speed</b>                     | 2560    | 2560 rpm              |
| <b>Enclosure class</b>           | 41      | 41 IP                 |
| <b>Sound pressure level, 3 m</b> | 44      | 44 dB L <sub>PA</sub> |
| <b>Weight</b>                    | 67      | 66 kg                 |
| <b>Wiring diagram</b>            | 4040161 | 4040161               |

### SOUND DATA (dB)

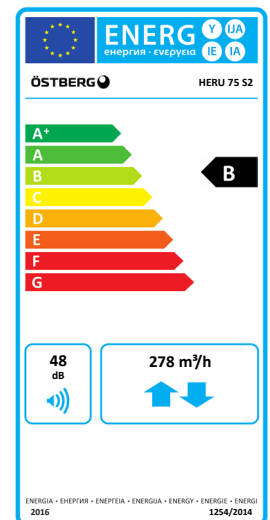
|                       | Total (L <sub>wa</sub> ) | 63 Hz | 125 Hz | 250 Hz | 500 Hz | 1k Hz | 2k Hz | 4k Hz | 8k Hz |
|-----------------------|--------------------------|-------|--------|--------|--------|-------|-------|-------|-------|
| <b>230 V / 65 l/s</b> |                          |       |        |        |        |       |       |       |       |
| Surrounding           | 51                       | 34    | 44     | 48     | 46     | 37    | 35    | 32    | 28    |
| Supply air            | 76                       | 57    | 63     | 68     | 72     | 68    | 66    | 61    | 50    |
| Extract air           | 62                       | 46    | 57     | 55     | 57     | 46    | 41    | 30    | 20    |
| <b>190 V / 62 l/s</b> |                          |       |        |        |        |       |       |       |       |
| Surrounding           | 50                       | 33    | 42     | 47     | 45     | 36    | 33    | 30    | 26    |
| Supply air            | 74                       | 58    | 65     | 68     | 70     | 66    | 62    | 59    | 47    |
| Extract air           | 61                       | 48    | 57     | 56     | 56     | 45    | 38    | 28    | 17    |
| <b>160 V / 53 l/s</b> |                          |       |        |        |        |       |       |       |       |
| Surrounding           | 48                       | 32    | 42     | 44     | 40     | 32    | 30    | 27    | 26    |
| Supply air            | 72                       | 57    | 63     | 66     | 67     | 63    | 59    | 56    | 43    |
| Extract air           | 60                       | 46    | 57     | 55     | 53     | 42    | 35    | 25    | 13    |
| <b>130 V / 36 l/s</b> |                          |       |        |        |        |       |       |       |       |
| Surrounding           | 46                       | 31    | 41     | 44     | 36     | 29    | 27    | 26    | 26    |
| Supply air            | 70                       | 56    | 62     | 65     | 64     | 60    | 55    | 52    | 39    |
| Extract air           | 59                       | 48    | 56     | 53     | 53     | 39    | 32    | 22    | 12    |
| <b>100 V / 21 l/s</b> |                          |       |        |        |        |       |       |       |       |
| Surrounding           | 40                       | 32    | 36     | 37     | 30     | 25    | 23    | 24    | 26    |
| Supply air            | 62                       | 53    | 58     | 57     | 55     | 51    | 46    | 40    | 24    |
| Extract air           | 53                       | 43    | 51     | 45     | 42     | 31    | 24    | 12    | 7     |



### TRANSFORMER STEPS

| 1    | 2    | 3    | 4    | 5    |
|------|------|------|------|------|
| 100V | 130V | 160V | 190V | 230V |

Pressure/airflow diagrams apply for both supply and extract air. Power and SFP apply for both of the fans together.



# ENERGY RECOVERY UNIT

## HERU®100 S EC 2

- Model with side connections.
- Designed for supply and extract air ventilation with energy recovery.
- Suitable for installation in apartments, small houses, offices and other premises where there are stringent requirements on the indoor environment.
- High temperature efficiency 86%, low energy consumption (SFP), low sound level, high operating reliability and provides clean indoor air.
- Unique design minimizes all thermal bridges.
- For easy handling, the unit is remote-controlled using the wireless control unit for operation and monitoring.
- Comes prepared for Modbus communication via RS485 (accessory needed).
- Airflow is generated by two silent radial fans with EC motors and impellers with backward curved blades.

- The fans are connected with quick connectors and are very easy to remove for cleaning.
- A regenerative, non-hygroscopic, aluminum rotating heat exchanger located in the center of the unit. The heat exchanger can also be removed for cleaning.
- Comes with bag filter ePM1 65% as standard, for both extract and supply air. The filter is very easy to change.
- Integrated controls for heating/cooling.
- Available with or without integrated electric heater.
- The unit is constructed of double-layer galvanized steel sheet with insulation in between, and comes unpainted.
- For placement in warm or cold areas.
- Comes in right-hand version as standard, but can easily be rebuilt to left-hand design.
- Equipped with wall plug.

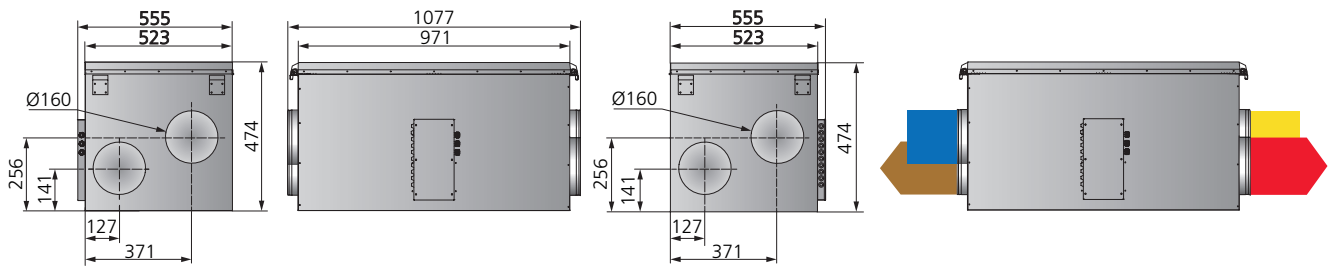
### ACCESSORIES

- Filterkit ePM1 65%
- Filter ePM Coarse 80%
- Outside wall hood 160
- Remote Control with Modbus
- Heater Kit Water
- Relay pump control
- Pressure Sensor Kit
- Damper motor
- Carbon dioxide sensor CO2
- Humidity sensor RH
- Room sensor
- Duct sensor
- Freeze protection sensor
- Extension cable to antenna
- Silencer LDC 160

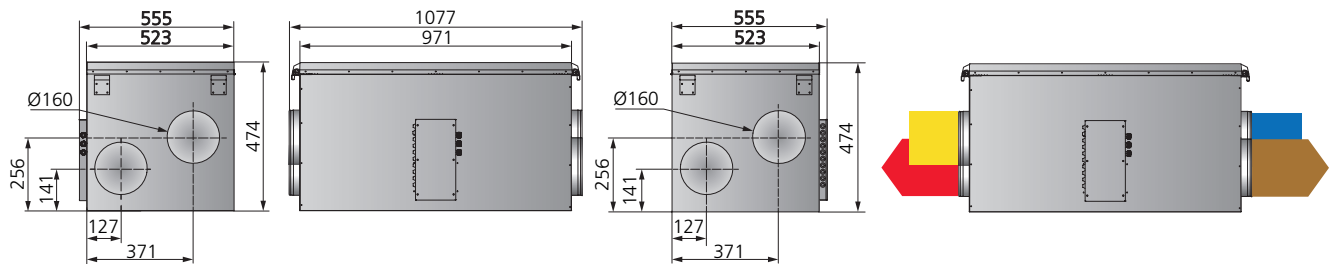


### DIMENSIONS (mm)

#### RIGHT-HAND DESIGN



#### LEFT-HAND DESIGN



### CONNECTIONS

- Supply air
- Extract air
- Exhaust air
- Fresh air

| Type                    | Art.no. |
|-------------------------|---------|
| HERU®100 S EC 2 A 1200W | 8010719 |
| HERU®100 S EC 2 B 600W  | 8010720 |
| HERU®100 S EC 2 C       | 8010721 |

### Side connection

Capacity

EC = Fans with low-energy motors

**HERU®100S EC A**

Integrated electric heater with:

**A** = Full power

**B** = Half power

**C** = Without electric heater



# ENERGY RECOVERY UNIT

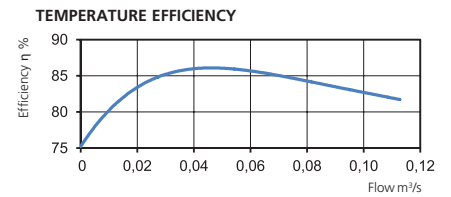
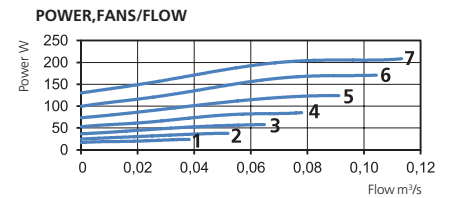
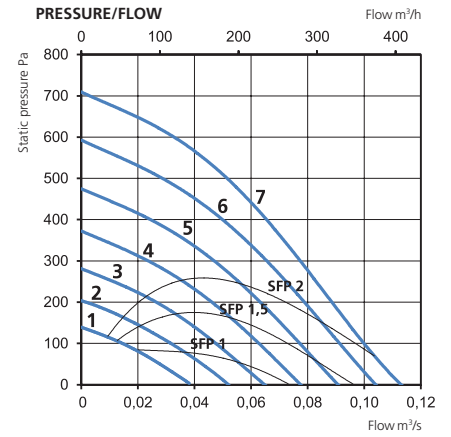
## HERU®100 S EC 2

### TECHNICAL DATA

| HERU®100 S EC 2                  | A       | B       | C                     |
|----------------------------------|---------|---------|-----------------------|
| <b>Voltage</b>                   | 230     | 230     | 230 V                 |
| <b>Frequency</b>                 | 50      | 50      | 50 Hz                 |
| <b>Phase</b>                     | 1       | 1       | 1 ~                   |
| <b>Current, 2 fans</b>           | 1.67    | 1.67    | 1.67 A                |
| <b>Current, electric heater</b>  | 5.22    | 2.61    | - A                   |
| <b>Total current</b>             | 6.99    | 4.38    | 1.77 A                |
| <b>Power, 2 fans</b>             | 209     | 209     | 209 W                 |
| <b>Power, electric heater</b>    | 1200    | 600     | - W                   |
| <b>Total power</b>               | 1440    | 836     | 236 W                 |
| <b>Speed</b>                     | 3580    | 3580    | 3580 rpm              |
| <b>Enclosure class</b>           | 41      | 41      | 41 IP                 |
| <b>Sound pressure level, 3 m</b> | 46      | 46      | 46 dB L <sub>PA</sub> |
| <b>Weight</b>                    | 65      | 65      | 64 kg                 |
| <b>Wiring diagram</b>            | 4040181 | 4040181 | 4040181               |

### SOUND DATA (dB)

|                      | Total (L <sub>WA</sub> ) | 63 Hz | 125 Hz | 250 Hz | 500 Hz | 1k Hz | 2k Hz | 4k Hz | 8k Hz |
|----------------------|--------------------------|-------|--------|--------|--------|-------|-------|-------|-------|
| <b>10 V / 93 l/s</b> |                          |       |        |        |        |       |       |       |       |
| Surrounding          | 53                       | 41    | 44     | 44     | 51     | 41    | 36    | 31    | 28    |
| Supply air           | 80                       | 59    | 63     | 68     | 78     | 71    | 68    | 65    | 59    |
| Extract air          | 63                       | 51    | 56     | 59     | 58     | 51    | 44    | 36    | 22    |
| <b>9 V / 86 l/s</b>  |                          |       |        |        |        |       |       |       |       |
| Surrounding          | 53                       | 37    | 43     | 43     | 51     | 39    | 34    | 29    | 28    |
| Supply air           | 80                       | 59    | 62     | 67     | 79     | 71    | 66    | 63    | 56    |
| Extract air          | 63                       | 50    | 55     | 57     | 60     | 52    | 42    | 34    | 20    |
| <b>8 V / 76 l/s</b>  |                          |       |        |        |        |       |       |       |       |
| Surrounding          | 48                       | 34    | 41     | 44     | 43     | 36    | 30    | 28    | 28    |
| Supply air           | 75                       | 58    | 60     | 69     | 71     | 67    | 63    | 60    | 52    |
| Extract air          | 60                       | 49    | 53     | 56     | 54     | 46    | 39    | 31    | 16    |
| <b>7 V / 66 l/s</b>  |                          |       |        |        |        |       |       |       |       |
| Surrounding          | 44                       | 33    | 39     | 40     | 37     | 32    | 26    | 26    | 27    |
| Supply air           | 71                       | 56    | 58     | 65     | 67     | 62    | 59    | 56    | 47    |
| Extract air          | 57                       | 47    | 51     | 54     | 50     | 43    | 36    | 28    | 12    |
| <b>6 V / 55 l/s</b>  |                          |       |        |        |        |       |       |       |       |
| Surrounding          | 41                       | 30    | 37     | 37     | 33     | 30    | 24    | 26    | 27    |
| Supply air           | 68                       | 54    | 56     | 63     | 63     | 58    | 55    | 51    | 41    |
| Extract air          | 55                       | 45    | 48     | 53     | 46     | 39    | 33    | 23    | 8     |
| <b>5 V / 45 l/s</b>  |                          |       |        |        |        |       |       |       |       |
| Surrounding          | 40                       | 29    | 33     | 36     | 29     | 29    | 23    | 25    | 27    |
| Supply air           | 65                       | 51    | 52     | 63     | 58     | 53    | 51    | 45    | 34    |
| Extract air          | 51                       | 43    | 45     | 46     | 43     | 35    | 29    | 18    | 5     |
| <b>4 V / 34 l/s</b>  |                          |       |        |        |        |       |       |       |       |
| Surrounding          | 37                       | 25    | 30     | 31     | 27     | 28    | 22    | 25    | 27    |
| Supply air           | 58                       | 49    | 48     | 54     | 52     | 48    | 44    | 36    | 25    |
| Extract air          | 51                       | 40    | 42     | 50     | 39     | 30    | 23    | 11    | 4     |



### CONTROL VOLTAGE

| 1  | 2  | 3  | 4  | 5  | 6  | 7   |
|----|----|----|----|----|----|-----|
| 4V | 5V | 6V | 7V | 8V | 9V | 10V |

Pressure/airflow diagrams apply for both supply and extract air. Power and SFP apply for both of the fans together.

# ENERGY RECOVERY UNIT

## HERU®130 S EC 2

- Model with side connections.
- Designed for supply and extract air ventilation with energy recovery.
- Suitable for installation in apartments, small houses, offices and other premises where there are stringent requirements on the indoor environment.
- High temperature efficiency 86%, low energy consumption (SFP), low sound level, high operating reliability and provides clean indoor air.
- Unique design minimizes all thermal bridges.
- For easy handling, the unit is remote-controlled using the wireless control unit for operation and monitoring.
- Comes prepared for Modbus communication via RS485 (accessory needed).
- Airflow is generated by two silent radial fans with EC motors and impellers with backward curved blades.

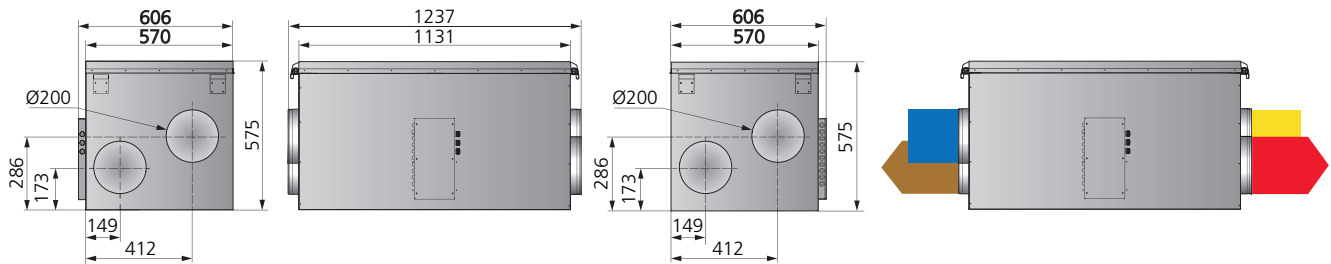
- The fans are connected with quick connectors and are very easy to remove for cleaning.
- A regenerative, non-hygroscopic, aluminum rotating heat exchanger located in the center of the unit. The heat exchanger can also be removed for cleaning.
- Comes with bag filter ePM1 65% as standard, for both extract and supply air. The filter is very easy to change.
- Integrated controls for heating/cooling.
- Available with or without integrated electric heater.
- The unit is constructed of double-layer galvanized steel sheet with insulation in between, and comes unpainted.
- For placement in warm or cold areas.
- Comes in right-hand version as standard, but can easily be rebuilt to left-hand design.
- Equipped with wall plug.

### ACCESSORIES

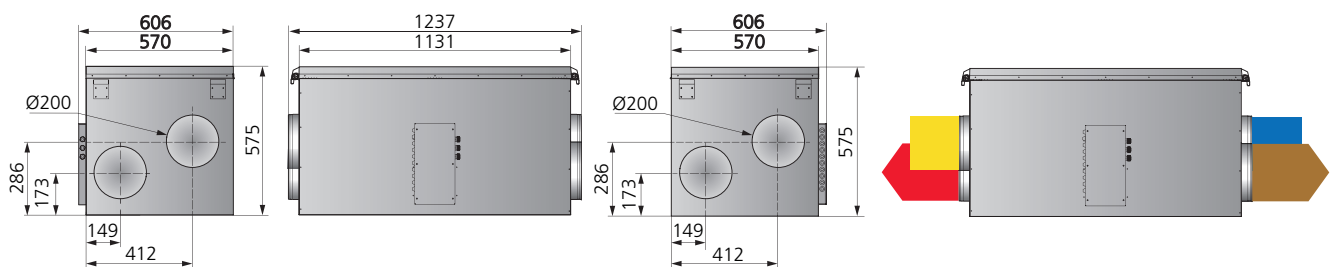
- Filterkit ePM1 65%
- Filter ePM Coarse 80%
- Outside wall hood 200
- Remote Control with Modbus
- Heater Kit Water
- Relay pump control
- Pressure Sensor Kit
- Damper motor
- Carbon dioxide sensor CO2
- Humidity sensor RH
- Room sensor
- Duct sensor
- Freeze protection sensor
- Extension cable to antenna
- Silencer LDC 200



### DIMENSIONS (mm) RIGHT-HAND DESIGN



### LEFT-HAND DESIGN



### CONNECTIONS

- Supply air
- Extract air
- Exhaust air
- Fresh air

| Type                    | Art.no. |
|-------------------------|---------|
| HERU®130 S EC 2 A 1700W | 8010200 |
| HERU®130 S EC 2 B 850W  | 8010201 |
| HERU®130 S EC 2 C       | 8010202 |

Side connection

Capacity

EC = Fans with low-energy motors

HERU®130S EC 2 A

Version

Integrated electric heater with:  
**A** = Full power  
**B** = Half power  
**C** = Without electric heater

# ENERGY RECOVERY UNIT

## HERU<sup>®</sup>130 S EC 2

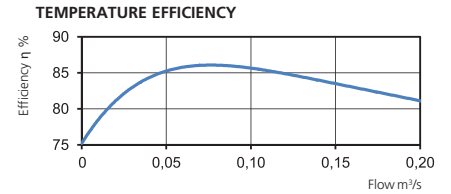
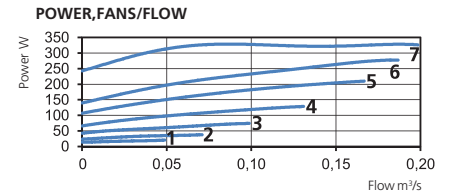
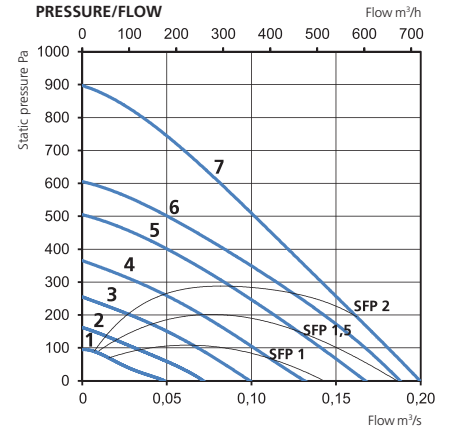


### TECHNICAL DATA

| HERU <sup>®</sup> 130 S EC 2     | A       | B       | C                     |
|----------------------------------|---------|---------|-----------------------|
| <b>Voltage</b>                   | 230     | 230     | 230 V                 |
| <b>Frequency</b>                 | 50      | 50      | 50 Hz                 |
| <b>Phase</b>                     | 1       | 1       | 1 ~                   |
| <b>Current, 2 fans</b>           | 2.49    | 2.49    | 2.49 A                |
| <b>Current, electric heater</b>  | 7.39    | 3.70    | - A                   |
| <b>Total current</b>             | 10.00   | 6.30    | 2.59 A                |
| <b>Power, 2 fans</b>             | 328     | 328     | 328 W                 |
| <b>Power, electric heater</b>    | 1700    | 850     | - W                   |
| <b>Total power</b>               | 2060    | 1210    | 355 W                 |
| <b>Speed</b>                     | 3080    | 3080    | 3080 rpm              |
| <b>Enclosure class</b>           | 41      | 41      | 41 IP                 |
| <b>Sound pressure level, 3 m</b> | 47      | 47      | 47 dB L <sub>PA</sub> |
| <b>Weight</b>                    | 85      | 85      | 84 kg                 |
| <b>Wiring diagram</b>            | 4040164 | 4040164 | 4040164               |

### SOUND DATA (dB)

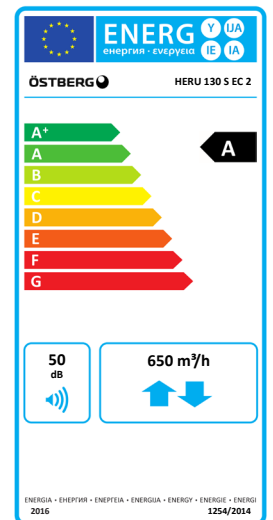
|                       | Total (L <sub>WA</sub> ) | 63 Hz | 125 Hz | 250 Hz | 500 Hz | 1k Hz | 2k Hz | 4k Hz | 8k Hz |
|-----------------------|--------------------------|-------|--------|--------|--------|-------|-------|-------|-------|
| <b>10 V / 158 l/s</b> |                          |       |        |        |        |       |       |       |       |
| Surrounding           | 54                       | 46    | 50     | 50     | 44     | 40    | 38    | 33    | 30    |
| Supply air            | 81                       | 64    | 70     | 76     | 76     | 73    | 71    | 66    | 56    |
| Extract air           | 68                       | 55    | 64     | 64     | 61     | 51    | 45    | 35    | 21    |
| <b>8 V / 127 l/s</b>  |                          |       |        |        |        |       |       |       |       |
| Surrounding           | 50                       | 45    | 46     | 46     | 41     | 37    | 35    | 31    | 30    |
| Supply air            | 76                       | 63    | 67     | 70     | 71     | 69    | 67    | 61    | 50    |
| Extract air           | 66                       | 54    | 60     | 63     | 56     | 47    | 41    | 31    | 20    |
| <b>7 V / 100 l/s</b>  |                          |       |        |        |        |       |       |       |       |
| Surrounding           | 47                       | 41    | 42     | 43     | 39     | 34    | 31    | 29    | 29    |
| Supply air            | 73                       | 61    | 62     | 68     | 67     | 64    | 62    | 55    | 44    |
| Extract air           | 62                       | 51    | 57     | 59     | 52     | 43    | 37    | 27    | 20    |
| <b>6 V / 77 l/s</b>   |                          |       |        |        |        |       |       |       |       |
| Surrounding           | 44                       | 37    | 38     | 41     | 35     | 30    | 27    | 27    | 29    |
| Supply air            | 68                       | 58    | 57     | 62     | 62     | 59    | 57    | 49    | 37    |
| Extract air           | 60                       | 47    | 51     | 58     | 48     | 40    | 33    | 24    | 20    |
| <b>5 V / 58 l/s</b>   |                          |       |        |        |        |       |       |       |       |
| Surrounding           | 39                       | 34    | 33     | 35     | 30     | 28    | 25    | 27    | 29    |
| Supply air            | 61                       | 53    | 52     | 53     | 56     | 52    | 48    | 39    | 27    |
| Extract air           | 51                       | 41    | 46     | 46     | 43     | 37    | 29    | 20    | 20    |
| <b>4 V / 38 l/s</b>   |                          |       |        |        |        |       |       |       |       |
| Surrounding           | 36                       | 28    | 30     | 28     | 28     | 27    | 24    | 27    | 29    |
| Supply air            | 54                       | 46    | 45     | 46     | 49     | 44    | 39    | 30    | 24    |
| Extract air           | 46                       | 36    | 41     | 40     | 39     | 34    | 25    | 20    | 20    |



### CONTROL VOLTAGE

| 1  | 2  | 3  | 4  | 5  | 6    | 7   |
|----|----|----|----|----|------|-----|
| 4V | 5V | 6V | 7V | 8V | 8.5V | 10V |

Pressure/airflow diagrams apply for both supply and extract air. Power and SFP apply for both of the fans together.



# ENERGY RECOVERY UNIT

## HERU®180 S EC 2

- Model with side connections.
- Designed for supply and extract air ventilation with energy recovery.
- Suitable for installation in apartments, small houses, offices and other premises where there are stringent requirements on the indoor environment.
- High temperature efficiency 86%, low energy consumption (SFP), low sound level, high operating reliability and provides clean indoor air.
- Unique design minimizes all thermal bridges.
- For easy handling, the unit is remote-controlled using the wireless control unit for operation and monitoring.
- Comes prepared for Modbus communication via RS485 (accessory needed).
- Airflow is generated by two silent radial fans with EC motors and impellers with backward curved blades.

- The fans are connected with quick connectors and are very easy to remove for cleaning.
- A regenerative, non-hygroscopic, aluminum rotating heat exchanger located in the center of the unit. The heat exchanger can also be removed for cleaning.
- Comes with bag filter ePM1 65% as standard, for both extract and supply air. The filter is very easy to change.
- Integrated controls for heating/cooling.
- Available with or without integrated electric heater.
- The unit is constructed of double-layer galvanized steel sheet with insulation in between, and comes unpainted.
- For placement in warm or cold areas.
- Comes in right-hand version as standard, but can easily be rebuilt to left-hand design.

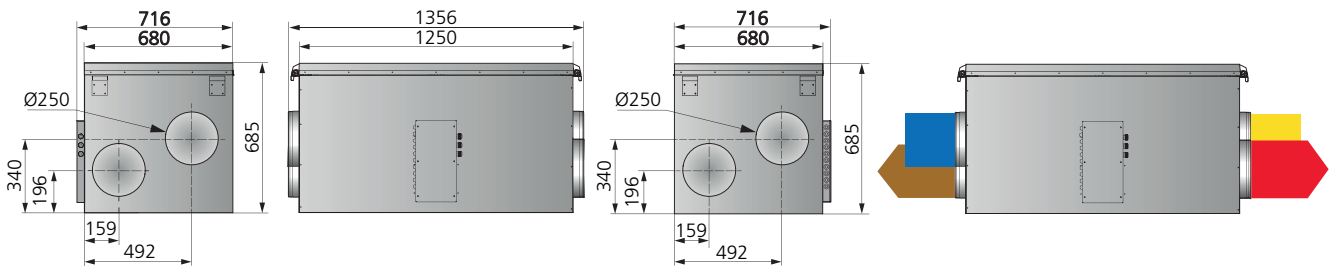
### ACCESSORIES

- Filterkit ePM1 65%
- Filter ePM Coarse 80%
- Remote Control with Modbus
- Heater Kit Water
- Cooling coil Kit, Relay pump control
- Pressure Sensor Kit
- Damper motor
- Carbon dioxide sensor CO2
- Humidity sensor RH
- Room sensor
- Duct sensor
- Freeze protection sensor
- Extension cable to antenna
- Silencer LDC 250

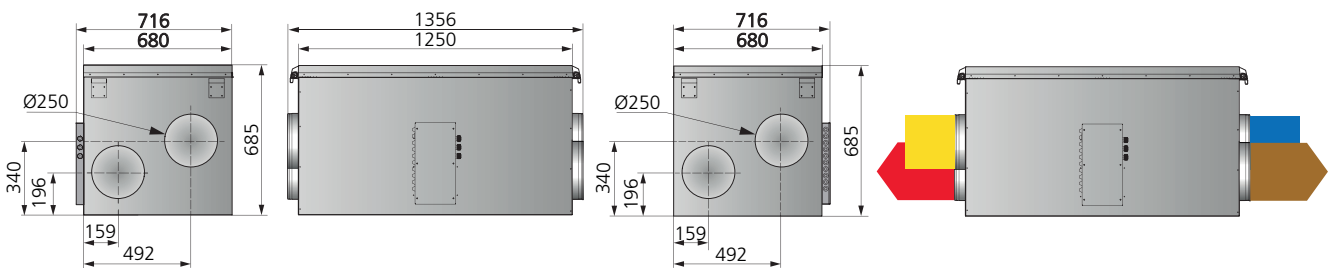


### DIMENSIONS (mm)

#### RIGHT-HAND DESIGN



#### LEFT-HAND DESIGN



### CONNECTIONS

- Supply air
- Extract air
- Exhaust air
- Fresh air

| Type                   | Art.no. |
|------------------------|---------|
| HERU®180 S EC 2A 2300W | 8010240 |
| HERU®180 S EC 2B 1150W | 8010241 |
| HERU®180 S EC 2C       | 8010242 |

### Side connection

Capacity

EC = Fans with low-energy motors

HERU®180 S EC 2 A

Version

Integrated electric heater with:  
**A** = Full power  
**B** = Half power  
**C** = Without electric heater



# ENERGY RECOVERY UNIT

## HERU® 180 S EC 2

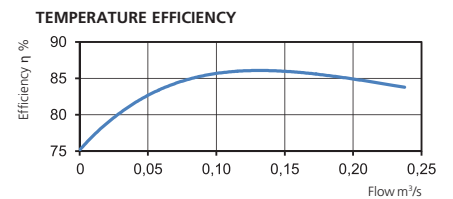
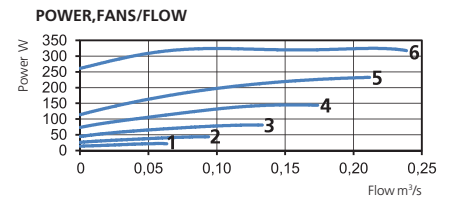
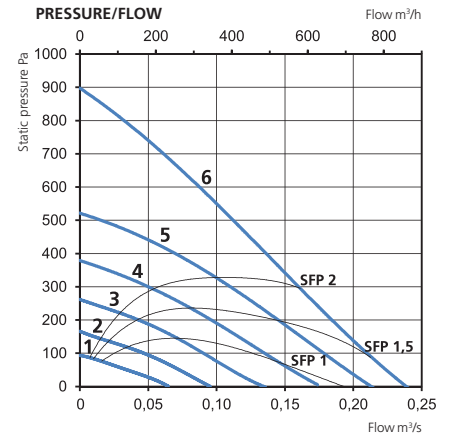


### TECHNICAL DATA

| HERU® 180 S EC 2                 | A       | B       | C                     |
|----------------------------------|---------|---------|-----------------------|
| <b>Voltage</b>                   | 230     | 230     | 230 V                 |
| <b>Frequency</b>                 | 50      | 50      | 50 Hz                 |
| <b>Phase</b>                     | 1       | 1       | 1 ~                   |
| <b>Current, 2 fans</b>           | 2.49    | 2.49    | 2.49 A                |
| <b>Current, electric heater</b>  | 10.00   | 5.00    | - A                   |
| <b>Total current</b>             | 12.60   | 7.60    | 2.59 A                |
| <b>Power, 2 fans</b>             | 323     | 323     | 323 W                 |
| <b>Power, electric heater</b>    | 2300    | 1150    | - W                   |
| <b>Total power</b>               | 2650    | 1500    | 350 W                 |
| <b>Speed</b>                     | 3020    | 3020    | 3020 rpm              |
| <b>Ingress Protection rating</b> | 41      | 41      | 41 IP                 |
| <b>Sound pressure level, 3 m</b> | 47      | 47      | 47 dB L <sub>PA</sub> |
| <b>Weight</b>                    | 103     | 103     | 101 kg                |
| <b>Wiring diagram</b>            | 4040166 | 4040166 | 4040166               |

### SOUND DATA (dB)

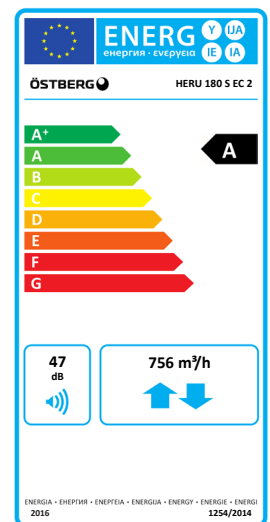
|                       | Total (L <sub>wa</sub> ) | 63 Hz | 125 Hz | 250 Hz | 500 Hz | 1k Hz | 2k Hz | 4k Hz | 8k Hz |
|-----------------------|--------------------------|-------|--------|--------|--------|-------|-------|-------|-------|
| <b>10 V / 180 l/s</b> |                          |       |        |        |        |       |       |       |       |
| Surrounding           | 54                       | 44    | 50     | 49     | 44     | 44    | 38    | 34    | 29    |
| Supply air            | 81                       | 62    | 69     | 76     | 74     | 74    | 73    | 67    | 57    |
| Extract air           | 67                       | 56    | 60     | 64     | 56     | 53    | 46    | 37    | 24    |
| <b>8 V / 157 l/s</b>  |                          |       |        |        |        |       |       |       |       |
| Surrounding           | 51                       | 42    | 47     | 47     | 41     | 41    | 35    | 32    | 29    |
| Supply air            | 79                       | 61    | 66     | 75     | 71     | 71    | 70    | 64    | 53    |
| Extract air           | 68                       | 58    | 57     | 66     | 52     | 49    | 43    | 33    | 23    |
| <b>7 V / 131 l/s</b>  |                          |       |        |        |        |       |       |       |       |
| Surrounding           | 47                       | 40    | 43     | 40     | 39     | 37    | 31    | 29    | 29    |
| Supply air            | 73                       | 60    | 62     | 66     | 67     | 67    | 65    | 58    | 46    |
| Extract air           | 61                       | 55    | 56     | 55     | 51     | 46    | 40    | 29    | 23    |
| <b>6 V / 100 l/s</b>  |                          |       |        |        |        |       |       |       |       |
| Surrounding           | 43                       | 38    | 38     | 39     | 34     | 34    | 28    | 28    | 29    |
| Supply air            | 69                       | 59    | 57     | 64     | 63     | 62    | 60    | 51    | 39    |
| Extract air           | 58                       | 53    | 51     | 53     | 45     | 42    | 35    | 26    | 23    |
| <b>5 V / 75 l/s</b>   |                          |       |        |        |        |       |       |       |       |
| Surrounding           | 40                       | 38    | 35     | 33     | 31     | 30    | 26    | 28    | 29    |
| Supply air            | 64                       | 55    | 58     | 56     | 58     | 56    | 53    | 43    | 31    |
| Extract air           | 54                       | 48    | 50     | 46     | 41     | 37    | 31    | 24    | 23    |
| <b>4 V / 53 l/s</b>   |                          |       |        |        |        |       |       |       |       |
| Surrounding           | 38                       | 28    | 33     | 30     | 30     | 29    | 26    | 28    | 30    |
| Supply air            | 56                       | 47    | 49     | 49     | 52     | 48    | 43    | 33    | 26    |
| Extract air           | 46                       | 39    | 41     | 40     | 38     | 31    | 26    | 23    | 23    |



### CONTROL VOLTAGE

| 1  | 2  | 3  | 4  | 5  | 6   |
|----|----|----|----|----|-----|
| 4V | 5V | 6V | 7V | 8V | 10V |

Pressure/airflow diagrams apply for both supply and extract air. Power and SFP apply for both of the fans together.



# ENERGY RECOVERY UNIT

## HERU®250 S EC 2

- Model with side connections.
- Designed for supply and extract air ventilation with energy recovery.
- Suitable for installation in apartments, small houses, offices and other premises where there are stringent requirements on the indoor environment.
- High temperature efficiency 86%, low energy consumption (SFP), low sound level, high operating reliability and provides clean indoor air.
- Unique design minimizes all thermal bridges.
- For easy handling, the unit is remote-controlled using the wireless control unit for operation and monitoring.
- Comes prepared for Modbus communication via RS485 (accessory needed).
- Airflow is generated by two silent radial fans with EC motors and impellers with backward curved blades.

- The fans are connected with quick connectors and are very easy to remove for cleaning.
- A regenerative, non-hygroscopic, aluminum rotating heat exchanger located in the center of the unit. The heat exchanger can also be removed for cleaning.
- Comes with bag filter ePM1 65% as standard, for both extract and supply air. The filter is very easy to change.
- Integrated controls for heating/cooling.
- Available with or without integrated electric heater.
- The unit is constructed of double-layer galvanized steel sheet with insulation in between, and comes unpainted.
- For placement in warm or cold areas.
- Comes in right-hand version as standard, but can easily be rebuilt to left-hand design.

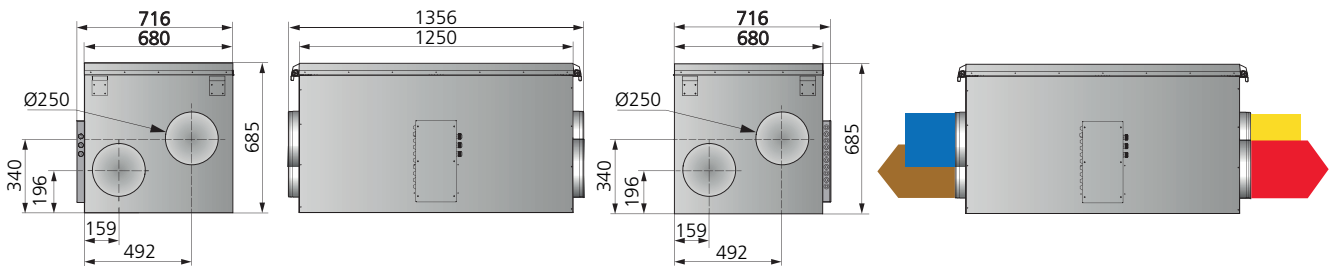
### ACCESSORIES

- Filterkit ePM1 65%
- Filter ePM Coarse 80%
- Remote Control with Modbus
- Heater Kit Water
- Cooling coil Kit, Relay pump control
- Pressure Sensor Kit
- Damper motor
- Carbon dioxide sensor CO2
- Humidity sensor RH
- Room sensor
- Duct sensor
- Freeze protection sensor
- Extension cable to antenna
- Silencer LDC 250

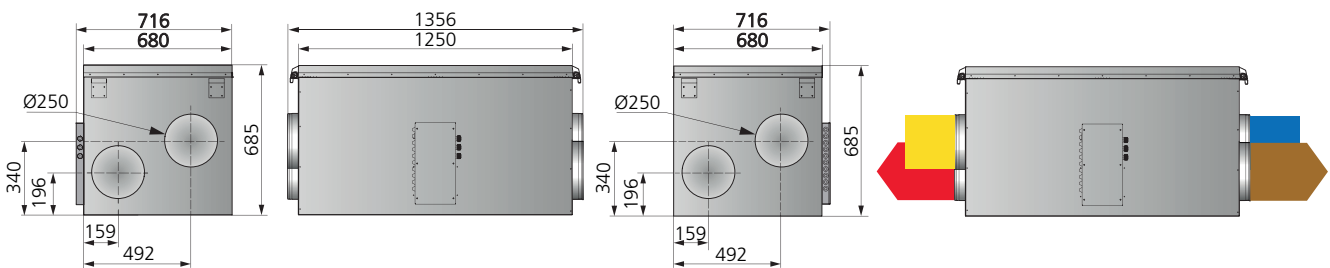


### DIMENSIONS (mm)

#### RIGHT-HAND DESIGN



#### LEFT-HAND DESIGN



### CONNECTIONS

- Supply air
- Extract air
- Exhaust air
- Fresh air

| Type                    | Art.no. |
|-------------------------|---------|
| HERU®250 S EC 2 A 2300W | 8010483 |
| HERU®250 S EC 2 B 1150W | 8010484 |
| HERU®250 S EC 2 C       | 8010485 |

### Side connection

Capacity

EC = Fans with low-energy motors

HERU®250 S EC A

Integrated electric heater with:  
**A** = Full power  
**B** = Half power  
**C** = Without electric heater

# ENERGY RECOVERY UNIT

## HERU®250 S EC 2

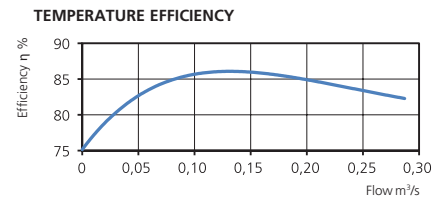
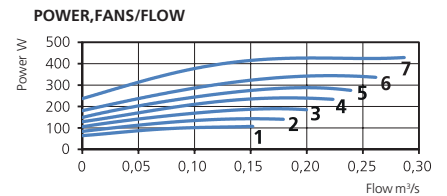
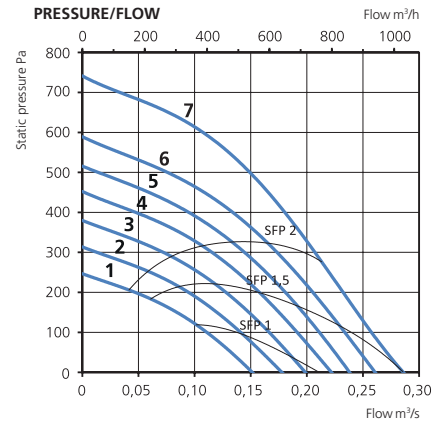


### TECHNICAL DATA

| HERU®250 S EC 2                  | A       | B       | C                     |
|----------------------------------|---------|---------|-----------------------|
| <b>Voltage</b>                   | 230     | 230     | 230 V                 |
| <b>Frequency</b>                 | 50      | 50      | 50 Hz                 |
| <b>Phase</b>                     | 1       | 1       | 1 ~                   |
| <b>Current, 2 fans</b>           | 1.92    | 1.92    | 1.92 A                |
| <b>Current, electric heater</b>  | 10.00   | 5.00    | - A                   |
| <b>Total current</b>             | 12.00   | 7.00    | 2.02 A                |
| <b>Power, 2 fans</b>             | 431     | 431     | 431 W                 |
| <b>Power, electric heater</b>    | 2300    | 1150    | - W                   |
| <b>Total power</b>               | 2760    | 1610    | 458 W                 |
| <b>Speed</b>                     | 2780    | 2780    | 2780 rpm              |
| <b>Enclosure class</b>           | 41      | 41      | 41 IP                 |
| <b>Sound pressure level, 3 m</b> | 46      | 46      | 46 dB L <sub>PA</sub> |
| <b>Weight</b>                    | 108     | 108     | 106 kg                |
| <b>Wiring diagram</b>            | 4040166 | 4040166 | 4040166               |

### SOUND DATA (dB)

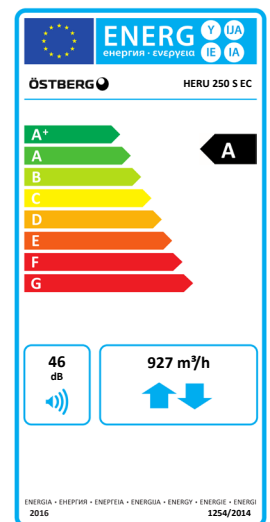
|                        | Total (L <sub>wa</sub> ) | 63 Hz | 125 Hz | 250 Hz | 500 Hz | 1k Hz | 2k Hz | 4k Hz | 8k Hz |
|------------------------|--------------------------|-------|--------|--------|--------|-------|-------|-------|-------|
| <b>10 V / 220 l/s</b>  |                          |       |        |        |        |       |       |       |       |
| Surrounding            | 51                       | 47    | 45     | 45     | 45     | 41    | 38    | 35    | 30    |
| Supply air             | 81                       | 58    | 64     | 69     | 77     | 74    | 74    | 68    | 63    |
| Extract air            | 63                       | 51    | 57     | 60     | 55     | 51    | 43    | 34    | 24    |
| <b>9 V / 216 l/s</b>   |                          |       |        |        |        |       |       |       |       |
| Surrounding            | 50                       | 44    | 45     | 44     | 44     | 40    | 37    | 34    | 30    |
| Supply air             | 80                       | 56    | 63     | 68     | 77     | 73    | 73    | 67    | 62    |
| Extract air            | 62                       | 50    | 56     | 59     | 54     | 51    | 42    | 33    | 24    |
| <b>8.5 V / 196 l/s</b> |                          |       |        |        |        |       |       |       |       |
| Surrounding            | 49                       | 38    | 43     | 43     | 43     | 39    | 35    | 32    | 29    |
| Supply air             | 79                       | 54    | 61     | 66     | 77     | 71    | 70    | 65    | 59    |
| Extract air            | 61                       | 49    | 54     | 57     | 54     | 48    | 40    | 32    | 24    |
| <b>8 V / 174 l/s</b>   |                          |       |        |        |        |       |       |       |       |
| Surrounding            | 48                       | 36    | 42     | 42     | 42     | 38    | 33    | 31    | 29    |
| Supply air             | 76                       | 52    | 59     | 64     | 73     | 69    | 68    | 62    | 55    |
| Extract air            | 59                       | 47    | 51     | 56     | 54     | 45    | 38    | 30    | 24    |
| <b>7 V / 153 l/s</b>   |                          |       |        |        |        |       |       |       |       |
| Surrounding            | 46                       | 35    | 39     | 40     | 41     | 35    | 32    | 30    | 29    |
| Supply air             | 73                       | 51    | 57     | 63     | 69     | 67    | 66    | 60    | 52    |
| Extract air            | 57                       | 46    | 49     | 53     | 53     | 43    | 36    | 28    | 24    |
| <b>6 V / 142 l/s</b>   |                          |       |        |        |        |       |       |       |       |
| Surrounding            | 44                       | 34    | 38     | 39     | 38     | 33    | 29    | 29    | 29    |
| Supply air             | 71                       | 50    | 56     | 63     | 66     | 64    | 64    | 58    | 49    |
| Extract air            | 56                       | 44    | 50     | 53     | 49     | 41    | 34    | 27    | 24    |
| <b>5 V / 123 l/s</b>   |                          |       |        |        |        |       |       |       |       |
| Surrounding            | 43                       | 33    | 35     | 41     | 34     | 31    | 28    | 28    | 29    |
| Supply air             | 68                       | 51    | 54     | 64     | 62     | 60    | 60    | 55    | 45    |
| Extract air            | 55                       | 47    | 47     | 52     | 44     | 38    | 32    | 26    | 24    |



### CONTROL VOLTAGE

| 1  | 2  | 3  | 4  | 5    | 6  | 7   |
|----|----|----|----|------|----|-----|
| 5V | 6V | 7V | 8V | 8.5V | 9V | 10V |

Pressure/airflow diagrams apply for both supply and extract air. Power and SFP apply for both of the fans together.



# ENERGY RECOVERY UNIT

## HERU®400 S EC

- Compact unit with side connections.
- Designed for supply and exhaust air ventilation with energy recovery.
- Suitable for installation in homes, offices and other premises where there are stringent requirements on the indoor environment.
- High temperature efficiency 86%, low energy consumption (SFP), low sound level, high operating reliability and provides clean indoor air.
- Unique design minimizes all thermal bridges.
- Can be ordered with integrated Siemens Climatix (CX) control equipment or without control equipment (ET). Comes prepared for Modbus communication via RS485 (accessory needed).
- Airflow is generated by two silent anti-vibration plug fans with EC motors and impellers with backward curved blades.

- The fans are connected with quick connectors and are very easy to remove for cleaning.
- Has a speed controlled rotating aluminum heat exchanger with adjustable hub and purge sector. The rotor can be removed for cleaning.
- Deep pleated filter ePM1 65% as standard, for both exhaust and supply air. The filter is very easy to change.
- Available with integrated electric heater or heating coil.
- The water and electrical connections are positioned to facilitate practical and simple connection.
- The unit is made from aluminum-zinc-plated steel and insulated.
- For placement in both warm or cold environments.
- Available in either right-hand or left-hand design.
- Delivered with adjustable feet and Novibra mats.

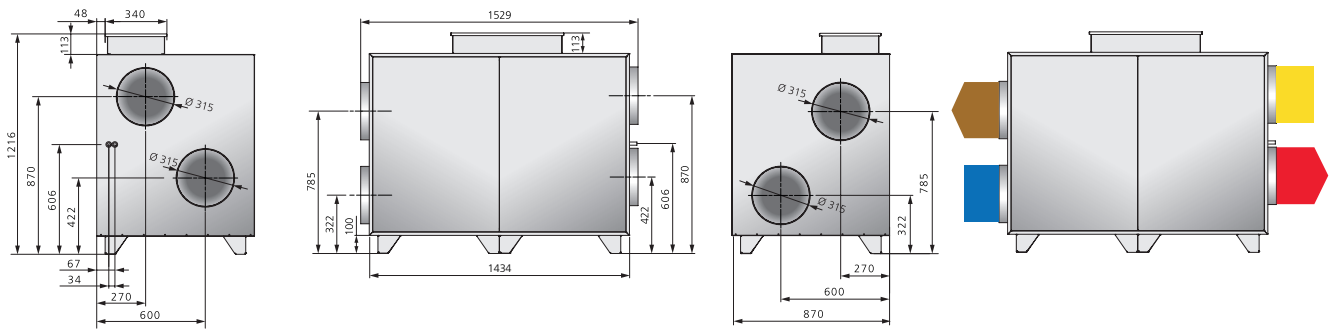
### ACCESSORIES

- Filterkit ePM1 65%
- Adjustable feet
- Novibra mat
- Control system
- Cooling coil
- Damper
- Flow meter
- U-pipe filter
- Valve actuator
- Shunt
- Water trap
- Silencer

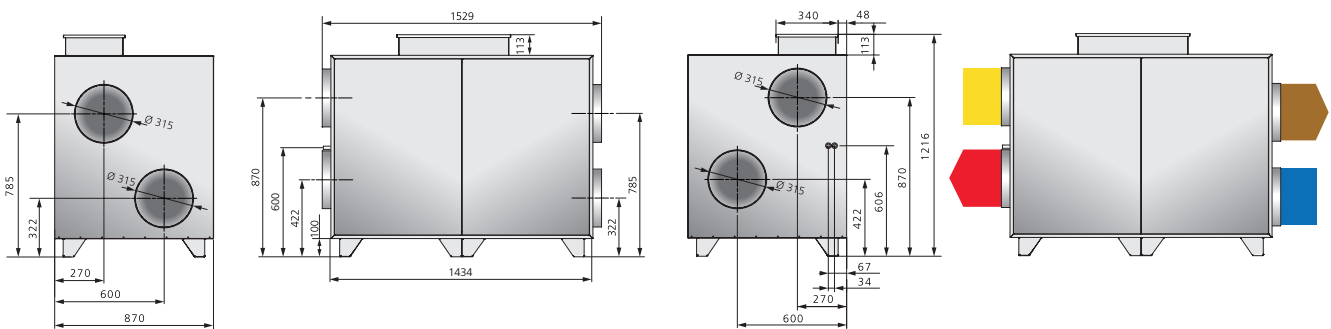


### DIMENSIONS (mm)

#### RIGHT-HAND DESIGN



#### LEFT-HAND DESIGN



### CONNECTIONS

- Supply air
- Extract air
- Exhaust air
- Fresh air

Side connection

EC = Fans with low-energy motors

Capacity

400V = 3-Phase

**HERU®400S EC CX L W-400V**

CX = Control system Siemens Climatix

ET = Without control system, routed to terminal block

W = Heater kit, water

E = Electric heater

R = Right-hand design

L = Left-hand design

| Type                    | Art.no.   |
|-------------------------|-----------|
| HERU®400 S EC CXLW 400V | 997080120 |
| HERU®400 S EC CXRW 400V | 997080122 |
| HERU®400 S EC CXLE 400V | 997080124 |
| HERU®400 S EC CXRE 400V | 997080126 |



# ENERGY RECOVERY UNIT

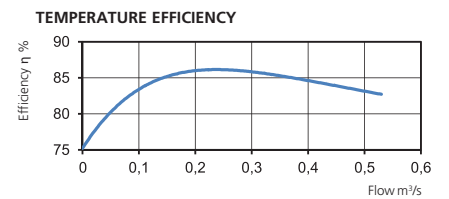
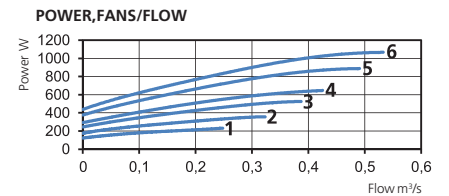
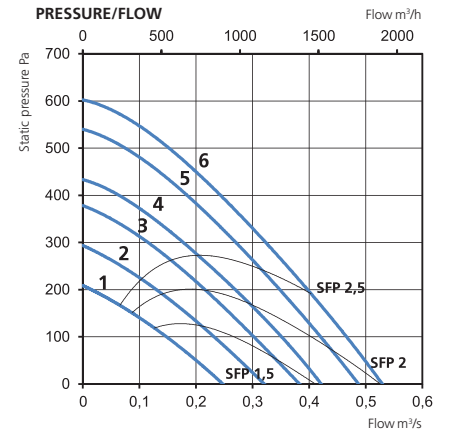
## HERU®400 S EC

### TECHNICAL DATA

| HERU®400 S EC                    | LW    | LE                    |
|----------------------------------|-------|-----------------------|
| <b>Voltage</b>                   | Y 400 | Y 400 V               |
| <b>Frequency</b>                 | 50    | 50 Hz                 |
| <b>Phase</b>                     | 3     | 3 ~                   |
| <b>Current, 2 fans</b>           | 4.65  | 4.65 A                |
| <b>Current, electric heater</b>  | -     | 9.10 A                |
| <b>Total current</b>             | 5.40  | 14.50 A               |
| <b>Power, 2 fans</b>             | 1069  | 1069 W                |
| <b>Power, electric heater</b>    | -     | 6300 W                |
| <b>Total power</b>               | 1230  | 7530 W                |
| <b>Speed</b>                     | 2170  | 2170 rpm              |
| <b>Enclosure class</b>           | 44    | 44 IP                 |
| <b>Sound pressure level, 3 m</b> | 52    | 52 dB L <sub>PA</sub> |
| <b>Weight</b>                    | 237   | 241 kg                |

### SOUND DATA (dB)

|                        | Total (L <sub>wa</sub> ) | 63 Hz | 125 Hz | 250 Hz | 500 Hz | 1k Hz | 2k Hz | 4k Hz | 8k Hz |
|------------------------|--------------------------|-------|--------|--------|--------|-------|-------|-------|-------|
| <b>10 V / 420 l/s</b>  |                          |       |        |        |        |       |       |       |       |
| Surrounding            | 59                       | 46    | 52     | 56     | 45     | 41    | 46    | 45    | 34    |
| Supply air             | 78                       | 57    | 68     | 76     | 70     | 64    | 66    | 62    | 54    |
| Extract air            | 70                       | 55    | 62     | 69     | 51     | 43    | 44    | 35    | 22    |
| <b>9.5 V / 385 l/s</b> |                          |       |        |        |        |       |       |       |       |
| Surrounding            | 57                       | 44    | 52     | 53     | 43     | 40    | 44    | 45    | 34    |
| Supply air             | 77                       | 57    | 67     | 75     | 67     | 62    | 64    | 59    | 52    |
| Extract air            | 70                       | 54    | 62     | 69     | 49     | 41    | 43    | 34    | 20    |
| <b>8.5 V / 355 l/s</b> |                          |       |        |        |        |       |       |       |       |
| Surrounding            | 54                       | 43    | 52     | 46     | 41     | 36    | 41    | 43    | 31    |
| Supply air             | 73                       | 57    | 64     | 71     | 63     | 59    | 61    | 56    | 48    |
| Extract air            | 68                       | 54    | 62     | 67     | 46     | 39    | 40    | 30    | 16    |
| <b>8 V / 310 l/s</b>   |                          |       |        |        |        |       |       |       |       |
| Surrounding            | 54                       | 43    | 53     | 43     | 37     | 34    | 40    | 40    | 30    |
| Supply air             | 70                       | 57    | 64     | 67     | 61     | 58    | 60    | 54    | 46    |
| Extract air            | 64                       | 53    | 62     | 58     | 44     | 37    | 39    | 29    | 15    |
| <b>7 V / 285 l/s</b>   |                          |       |        |        |        |       |       |       |       |
| Surrounding            | 52                       | 42    | 51     | 40     | 33     | 30    | 35    | 33    | 30    |
| Supply air             | 67                       | 56    | 60     | 63     | 57     | 54    | 56    | 49    | 40    |
| Extract air            | 61                       | 52    | 59     | 52     | 41     | 34    | 36    | 25    | 14    |
| <b>6 V / 210 l/s</b>   |                          |       |        |        |        |       |       |       |       |
| Surrounding            | 48                       | 40    | 47     | 36     | 30     | 27    | 29    | 29    | 30    |
| Supply air             | 62                       | 53    | 55     | 58     | 51     | 48    | 52    | 44    | 34    |
| Extract air            | 58                       | 50    | 57     | 49     | 40     | 31    | 32    | 21    | 14    |



### CONTROL VOLTAGE

| 1  | 2  | 3  | 4    | 5    | 6   |
|----|----|----|------|------|-----|
| 6V | 7V | 8V | 8.5V | 9.5V | 10V |

Pressure/airflow diagrams apply for both supply and extract air. Power and SFP apply for both of the fans together.



# ENERGY RECOVERY UNIT

## HERU®600 S EC

- Compact unit with side connections.
- Designed for supply and exhaust air ventilation with energy recovery.
- Suitable for installation in homes, offices and other premises where there are stringent requirements on the indoor environment.
- High temperature efficiency 86%, low energy consumption (SFP), low sound level, high operating reliability and provides clean indoor air.
- Unique design minimizes all thermal bridges.
- Can be ordered with integrated Siemens Climatix (CX) control equipment or without control equipment (ET). Comes prepared for Modbus communication via RS485 (accessory needed).
- Airflow is generated by two silent anti-vibration plug fans with EC motors and impellers with backward curved blades.

- The fans are connected with quick connectors and are very easy to remove for cleaning.
- Has a speed controlled rotating aluminum heat exchanger with adjustable hub and purge sector. The rotor can be removed for cleaning.
- Deep pleated filter ePM1 65% as standard, for both exhaust and supply air. The filter is very easy to change.
- Available with integrated electric heater or heating coil.
- The water and electrical connections are positioned to facilitate practical and simple connection.
- The unit is made from aluminum-zinc-plated steel and insulated.
- For placement in both warm or cold environments.
- Available in either right-hand or left-hand design.
- Delivered with adjustable feet and Novibra mats.

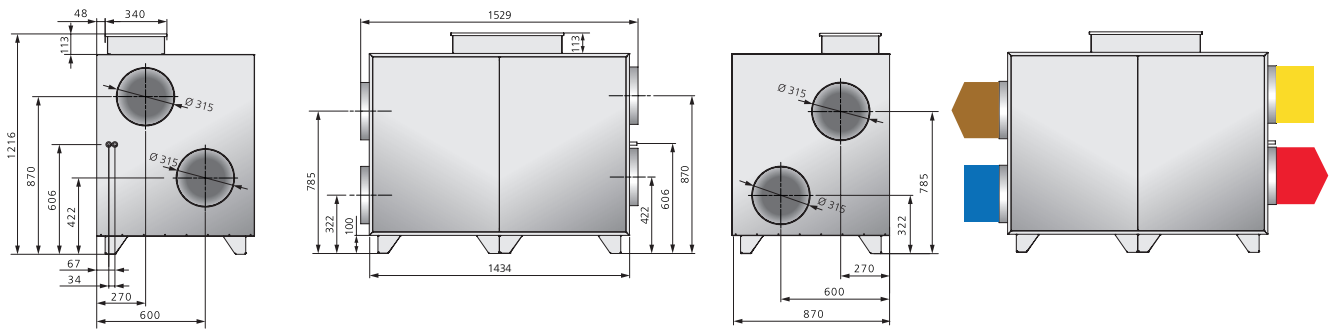
### ACCESSORIES

- Filterkit ePM1 65%
- Adjustable feet
- Novibra mat
- Control system
- Cooling coil
- Damper
- Flow meter
- U-pipe filter
- Valve actuator
- Shunt
- Water trap
- Silencer

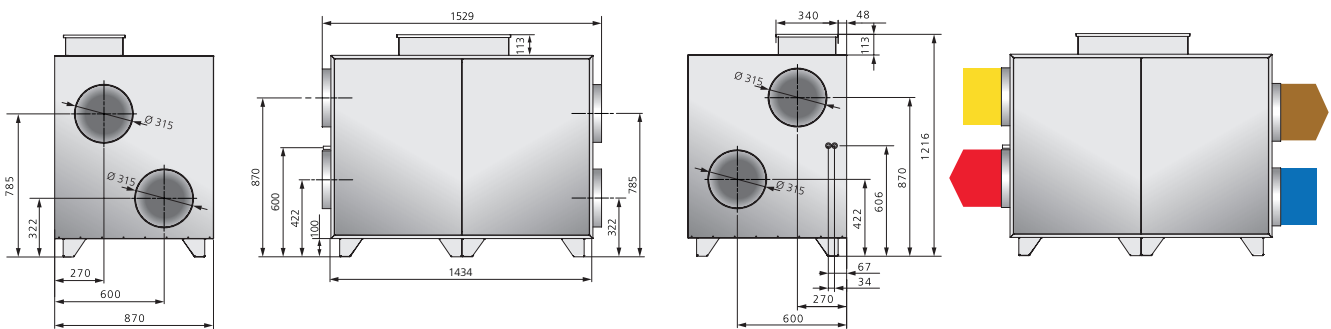


### DIMENSIONS (mm)

#### RIGHT-HAND DESIGN



#### LEFT-HAND DESIGN



### CONNECTIONS

- Supply air
- Extract air
- Exhaust air
- Fresh air

Side connection

EC = Fans with low-energy motors

Capacity

400V = 3-Phase

**HERU®600S EC CX L W-400V**

CX = Control system Siemens Climatix  
ET = Without control system, routed to terminal block

W = Heater kit, water  
E = Electric heater

R = Right-hand design  
L = Left-hand design

| Type                    | Art.no.   |
|-------------------------|-----------|
| HERU®600 S EC CXLW 400V | 997080176 |
| HERU®600 S EC CXRW 400V | 997080178 |
| HERU®600 S EC CXLE 400V | 997080180 |
| HERU®600 S EC CXRE 400V | 997080182 |



# ENERGY RECOVERY UNIT

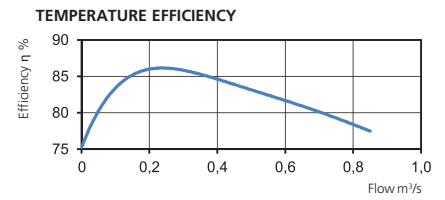
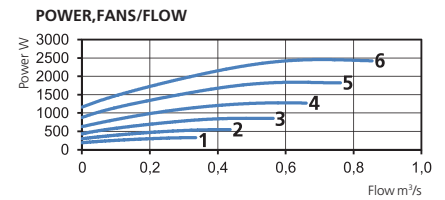
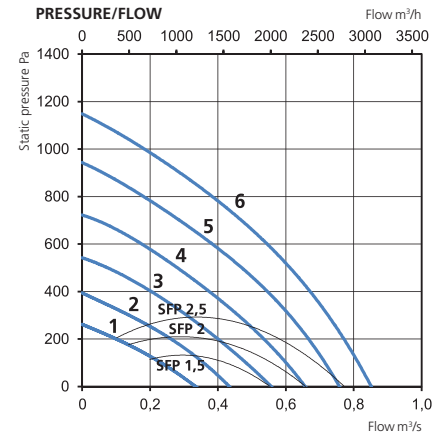
## HERU®600 S EC

### TECHNICAL DATA

| HERU®600 S EC                    | LW    | LE                    |
|----------------------------------|-------|-----------------------|
| <b>Voltage</b>                   | Y 400 | Y 400 V               |
| <b>Frequency</b>                 | 50    | 50 Hz                 |
| <b>Phase</b>                     | 3     | 3 ~                   |
| <b>Current, 2 fans</b>           | 10.70 | 10.70 A               |
| <b>Current, electric heater</b>  | –     | 9.10 A                |
| <b>Total current</b>             | 11.40 | 20.50 A               |
| <b>Power, 2 fans</b>             | 2460  | 2460 W                |
| <b>Power, electric heater</b>    | –     | 6300 W                |
| <b>Total power</b>               | 2630  | 8980 W                |
| <b>Speed</b>                     | 2900  | 2900 rpm              |
| <b>Enclosure class</b>           | 44    | 44 IP                 |
| <b>Sound pressure level, 3 m</b> | 54    | 54 dB L <sub>PA</sub> |
| <b>Weight</b>                    | 247   | 251 kg                |

### SOUND DATA (dB)

|                       | Total (L <sub>wa</sub> ) | 63 Hz | 125 Hz | 250 Hz | 500 Hz | 1k Hz | 2k Hz | 4k Hz | 8k Hz |
|-----------------------|--------------------------|-------|--------|--------|--------|-------|-------|-------|-------|
| <b>10 V / 745 l/s</b> |                          |       |        |        |        |       |       |       |       |
| Surrounding           | 61                       | 51    | 52     | 56     | 51     | 50    | 56    | 46    | 36    |
| Supply air            | 86                       | 59    | 63     | 81     | 74     | 74    | 83    | 76    | 68    |
| Extract air           | 71                       | 58    | 63     | 69     | 62     | 55    | 57    | 48    | 40    |
| <b>9 V / 658 l/s</b>  |                          |       |        |        |        |       |       |       |       |
| Surrounding           | 60                       | 48    | 50     | 58     | 48     | 47    | 52    | 41    | 32    |
| Supply air            | 85                       | 57    | 62     | 81     | 73     | 71    | 80    | 72    | 65    |
| Extract air           | 70                       | 56    | 61     | 68     | 60     | 52    | 52    | 46    | 37    |
| <b>8 V / 572 l/s</b>  |                          |       |        |        |        |       |       |       |       |
| Surrounding           | 60                       | 45    | 47     | 59     | 46     | 44    | 46    | 37    | 30    |
| Supply air            | 81                       | 54    | 63     | 78     | 72     | 69    | 73    | 68    | 60    |
| Extract air           | 72                       | 53    | 59     | 71     | 56     | 48    | 49    | 42    | 32    |
| <b>7 V / 434 l/s</b>  |                          |       |        |        |        |       |       |       |       |
| Surrounding           | 54                       | 42    | 47     | 52     | 43     | 41    | 39    | 33    | 28    |
| Supply air            | 76                       | 51    | 67     | 72     | 66     | 67    | 69    | 64    | 56    |
| Extract air           | 71                       | 52    | 60     | 71     | 52     | 46    | 44    | 39    | 31    |
| <b>6 V / 380 l/s</b>  |                          |       |        |        |        |       |       |       |       |
| Surrounding           | 48                       | 38    | 47     | 41     | 36     | 36    | 34    | 29    | 28    |
| Supply air            | 71                       | 49    | 64     | 65     | 60     | 63    | 63    | 58    | 51    |
| Extract air           | 65                       | 48    | 63     | 59     | 45     | 41    | 39    | 31    | 22    |
| <b>5 V / 284 l/s</b>  |                          |       |        |        |        |       |       |       |       |
| Surrounding           | 48                       | 35    | 48     | 37     | 30     | 31    | 28    | 26    | 27    |
| Supply air            | 65                       | 48    | 59     | 60     | 54     | 56    | 56    | 51    | 43    |
| Extract air           | 58                       | 44    | 57     | 50     | 39     | 32    | 33    | 24    | 16    |



### CONTROL VOLTAGE

| 1  | 2  | 3  | 4  | 5  | 6   |
|----|----|----|----|----|-----|
| 5V | 6V | 7V | 8V | 9V | 10V |

Pressure/airflow diagrams apply for both supply and extract air. Power and SFP apply for both of the fans together.



# ENERGY RECOVERY UNIT

## HERU®800 S EC

- Compact unit with side connections.
- Designed for supply and exhaust air ventilation with energy recovery.
- Suitable for installation in homes, offices and other premises where there are stringent requirements on the indoor environment.
- High temperature efficiency 86%, low energy consumption (SFP), low sound level, high operating reliability and provides clean indoor air.
- Unique design minimizes all thermal bridges.
- Can be ordered with integrated Siemens Climatix (CX) control equipment or without control equipment (ET). Comes prepared for Modbus communication via RS485 (accessory needed).
- Airflow is generated by two silent anti-vibration plug fans with EC motors and impellers with backward curved blades.

- The fans are connected with quick connectors and are very easy to remove for cleaning.
- Has a speed controlled rotating aluminum heat exchanger with adjustable hub and purge sector. The rotor can be removed for cleaning.
- Deep pleated filter ePM1 65% as standard, for both exhaust and supply air. The filter is very easy to change.
- Available with integrated electric heater or heating coil.
- The water and electrical connections are positioned to facilitate practical and simple connection.
- The unit is made from aluminum-zinc-plated steel and insulated.
- For placement in both warm or cold environments.
- Available in either right-hand or left-hand design.
- Delivered with adjustable feet and Novibra mats.

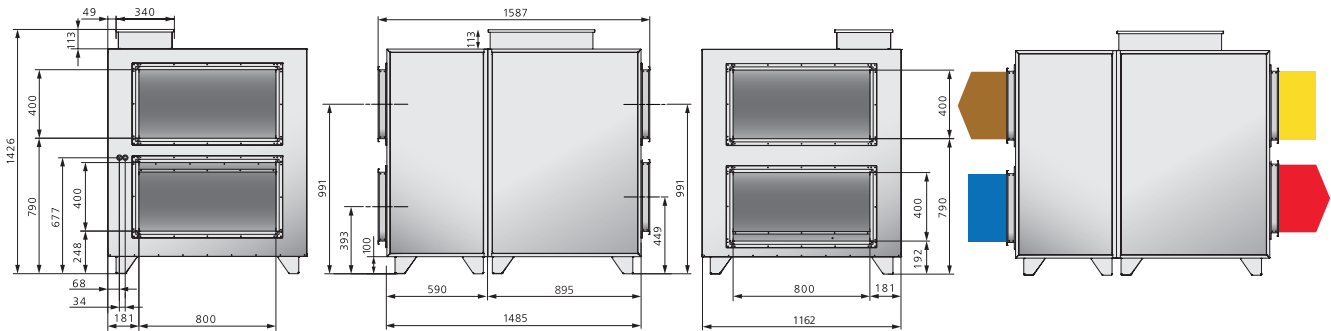
### ACCESSORIES

- Filterkit ePM1 65%
- Adjustable feet
- Novibra mat
- Control system
- Cooling coil
- Damper
- Flow meter
- U-pipe filter
- Valve actuator
- Shunt
- Water trap
- Silencer

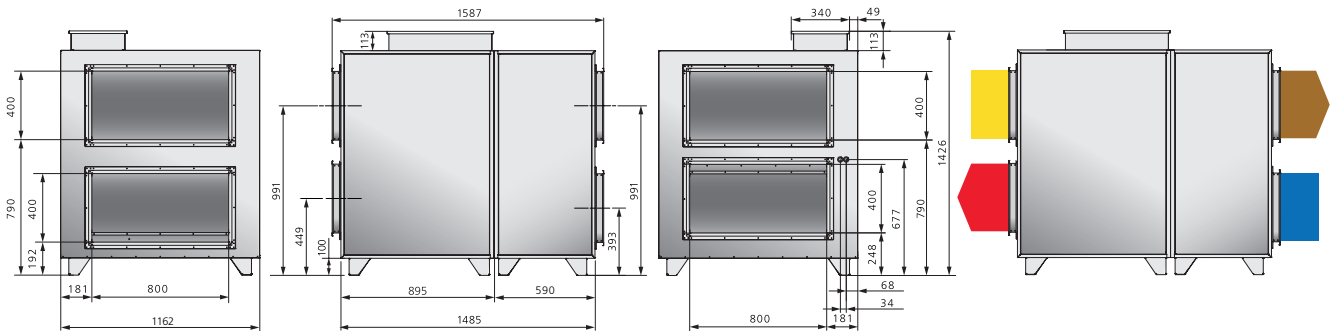


### DIMENSIONS (mm)

#### RIGHT-HAND DESIGN



#### LEFT-HAND DESIGN



### CONNECTIONS

- Supply air
- Extract air
- Exhaust air
- Fresh air

Side connection

EC = Fans with low-energy motors

Capacity

400V = 3-Phase

**HERU®800S EC CX L W-400V**

CX = Control system Siemens Climatix  
ET = Without control system, routed to terminal block

W = Heater kit, water  
E = Electric heater

R = Right-hand design  
L = Left-hand design

| Type                    | Art.no.   |
|-------------------------|-----------|
| HERU®800 S EC CXLW 400V | 997080128 |
| HERU®800 S EC CXRW 400V | 997080130 |
| HERU®800 S EC CXLE 400V | 997080132 |
| HERU®800 S EC CXRE 400V | 997080134 |





# ENERGY RECOVERY UNIT

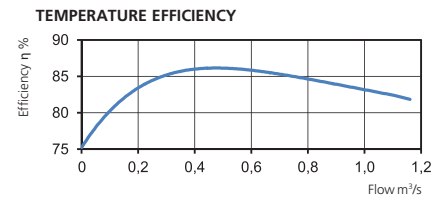
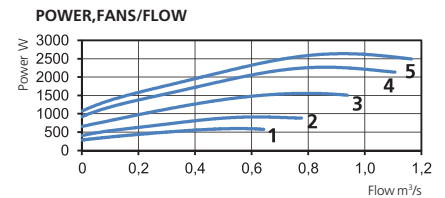
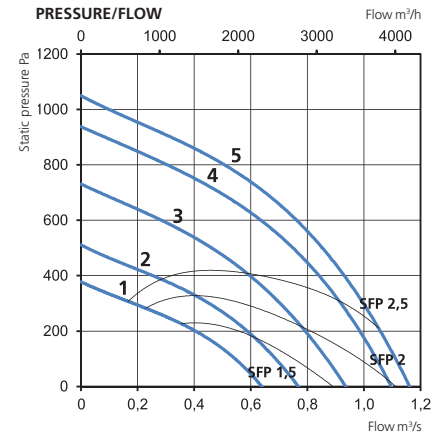
## HERU®800 S EC

### TECHNICAL DATA

| HERU®800 S EC                    | LW    | LE                    |
|----------------------------------|-------|-----------------------|
| <b>Voltage</b>                   | Y 400 | Y 400 V               |
| <b>Frequency</b>                 | 50    | 50 Hz                 |
| <b>Phase</b>                     | 3     | 3 ~                   |
| <b>Current, 2 fans</b>           | 3.80  | 3.80 A                |
| <b>Current, electric heater</b>  | –     | 14.30 A               |
| <b>Total current</b>             | 4.10  | 18.40 A               |
| <b>Power, 2 fans</b>             | 2630  | 2630 W                |
| <b>Power, electric heater</b>    | –     | 9900 W                |
| <b>Total power</b>               | 2790  | 12690 W               |
| <b>Speed</b>                     | 2510  | 2510 rpm              |
| <b>Ingress Protection rating</b> | 44    | 44 IP                 |
| <b>Sound pressure level, 3 m</b> | 56    | 56 dB L <sub>PA</sub> |
| <b>Weight</b>                    | 328   | 331 kg                |

### SOUND DATA (dB)

|                        | Total (L <sub>wa</sub> ) | 63 Hz | 125 Hz | 250 Hz | 500 Hz | 1k Hz | 2k Hz | 4k Hz | 8k Hz |
|------------------------|--------------------------|-------|--------|--------|--------|-------|-------|-------|-------|
| <b>10 V / 960 l/s</b>  |                          |       |        |        |        |       |       |       |       |
| Surrounding            | 63                       | 55    | 59     | 60     | 49     | 48    | 49    | 49    | 35    |
| Supply air             | 80                       | 61    | 64     | 76     | 70     | 70    | 76    | 67    | 62    |
| Extract air            | 71                       | 58    | 60     | 68     | 65     | 60    | 53    | 46    | 37    |
| <b>9.5 V / 900 l/s</b> |                          |       |        |        |        |       |       |       |       |
| Surrounding            | 62                       | 52    | 58     | 60     | 47     | 47    | 47    | 47    | 34    |
| Supply air             | 78                       | 59    | 63     | 75     | 68     | 69    | 71    | 66    | 61    |
| Extract air            | 69                       | 56    | 58     | 66     | 63     | 58    | 54    | 45    | 36    |
| <b>8.5 V / 770 l/s</b> |                          |       |        |        |        |       |       |       |       |
| Surrounding            | 62                       | 50    | 56     | 60     | 44     | 43    | 43    | 44    | 31    |
| Supply air             | 78                       | 57    | 62     | 76     | 67     | 67    | 68    | 62    | 57    |
| Extract air            | 71                       | 54    | 57     | 70     | 60     | 54    | 49    | 42    | 32    |
| <b>7 V / 660 l/s</b>   |                          |       |        |        |        |       |       |       |       |
| Surrounding            | 58                       | 45    | 57     | 51     | 38     | 38    | 37    | 37    | 29    |
| Supply air             | 69                       | 52    | 64     | 64     | 59     | 61    | 61    | 56    | 51    |
| Extract air            | 62                       | 50    | 59     | 58     | 53     | 45    | 44    | 35    | 24    |
| <b>6 V / 530 l/s</b>   |                          |       |        |        |        |       |       |       |       |
| Surrounding            | 58                       | 41    | 58     | 44     | 34     | 35    | 34    | 33    | 29    |
| Supply air             | 65                       | 49    | 57     | 61     | 54     | 57    | 57    | 50    | 47    |
| Extract air            | 58                       | 47    | 55     | 52     | 48     | 40    | 39    | 30    | 19    |



### CONTROL VOLTAGE

| 1  | 2  | 3    | 4    | 5   |
|----|----|------|------|-----|
| 6V | 7V | 8.5V | 9.5V | 10V |

Pressure/airflow diagrams apply for both supply and extract air. Power and SFP apply for both of the fans together.



# ENERGY RECOVERY UNIT

## HERU®1200 S EC

- Compact unit with side connections.
- Designed for supply and exhaust air ventilation with energy recovery.
- Suitable for installation in homes, offices and other premises where there are stringent requirements on the indoor environment.
- High temperature efficiency 86%, low energy consumption (SFP), low sound level, high operating reliability and provides clean indoor air.
- Unique design minimizes all thermal bridges.
- Can be ordered with integrated Siemens Climatix (CX) control equipment or without control equipment (ET). Comes prepared for Modbus communication via RS485 (accessory needed).
- Airflow is generated by two silent anti-vibration plug fans with EC motors and impellers with backward curved blades.

- The fans are connected with quick connectors and are very easy to remove for cleaning.
- Has a speed controlled rotating aluminum heat exchanger with adjustable hub and purge sector. The rotor can be removed for cleaning.
- Deep pleated filter ePM1 65% as standard, for both exhaust and supply air. The filter is very easy to change.
- Available with integrated electric heater or heating coil.
- The water and electrical connections are positioned to facilitate practical and simple connection.
- The unit is made from aluminum-zinc-plated steel and insulated.
- For placement in both warm or cold environments.
- Available in either right-hand or left-hand design.
- Delivered with adjustable feet and Novibra mats.

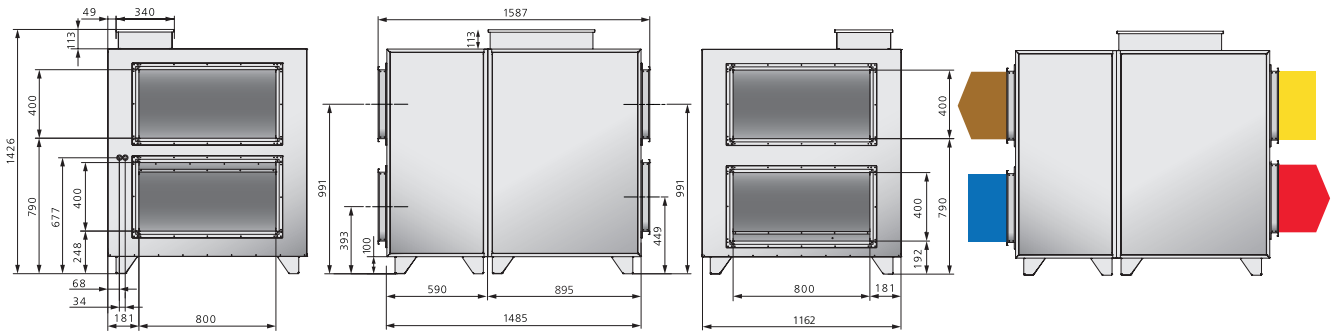
### ACCESSORIES

- Filterkit ePM1 65%
- Adjustable feet
- Novibra mat
- Control system
- Cooling coil
- Damper
- Flow meter
- U-pipe filter
- Valve actuator
- Shunt
- Water trap
- Silencer

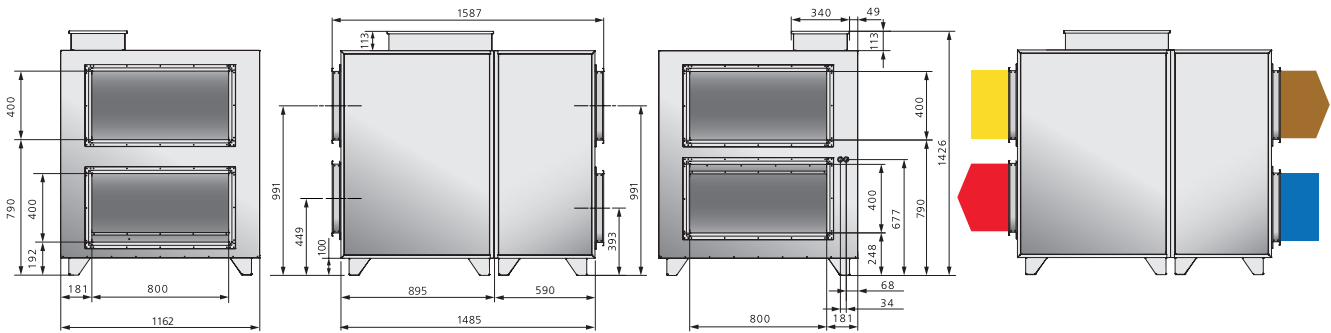


### DIMENSIONS (mm)

#### RIGHT-HAND DESIGN



#### LEFT-HAND DESIGN



### CONNECTIONS

- Supply air
- Extract air
- Exhaust air
- Fresh air

Side connection

EC = Fans with low-energy motors

Capacity

400V = 3-Phase

**HERU®1200S EC CX L W-400V**

CX = Control system Siemens Climatix  
ET = Without control system, routed to terminal block

W = Heater kit, water  
E = Electric heater

R = Right-hand design  
L = Left-hand design

| Type                     | Art.no.   |
|--------------------------|-----------|
| HERU®1200 S EC CXLW 400V | 997080192 |
| HERU®1200 S EC CXRW 400V | 997080193 |
| HERU®1200 S EC CXLE 400V | 997080194 |
| HERU®1200 S EC CXRE 400V | 997080195 |



# ENERGY RECOVERY UNIT

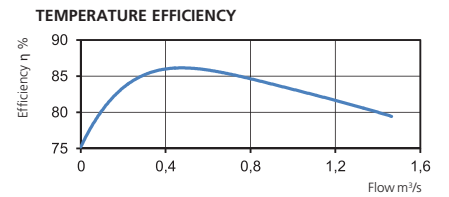
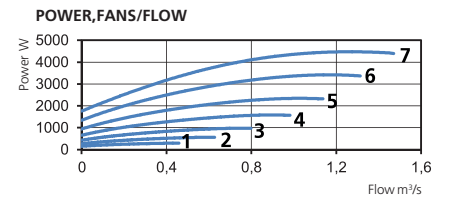
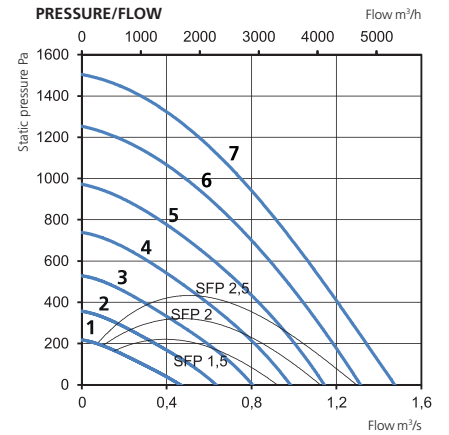
## HERU®1200 S EC

### TECHNICAL DATA

| HERU®1200 S EC                   | LW    | LE                    |
|----------------------------------|-------|-----------------------|
| <b>Voltage</b>                   | Y 400 | Y 400 V               |
| <b>Frequency</b>                 | 50    | 50 Hz                 |
| <b>Phase</b>                     | 3     | 3 ~                   |
| <b>Current, 2 fans</b>           | 6.43  | 6.43 A                |
| <b>Current, electric heater</b>  | –     | 14.30 A               |
| <b>Total current</b>             | 6.70  | 21.00 A               |
| <b>Power, 2 fans</b>             | 4450  | 4450 W                |
| <b>Power, electric heater</b>    | –     | 9900 W                |
| <b>Total power</b>               | 4620  | 14520 W               |
| <b>Speed</b>                     | 2970  | 2970 rpm              |
| <b>Ingress Protection rating</b> | 44    | 44 IP                 |
| <b>Sound pressure level, 3 m</b> | 65    | 65 dB L <sub>PA</sub> |
| <b>Weight</b>                    | 332   | 335 kg                |

### SOUND DATA (dB)

|                        | Total (L <sub>WA</sub> ) | 63 Hz | 125 Hz | 250 Hz | 500 Hz | 1k Hz | 2k Hz | 4k Hz | 8k Hz |
|------------------------|--------------------------|-------|--------|--------|--------|-------|-------|-------|-------|
| <b>10 V / 1122 l/s</b> |                          |       |        |        |        |       |       |       |       |
| Surrounding            | 72                       | 59    | 66     | 67     | 60     | 61    | 64    | 59    | 47    |
| Supply air             | 92                       | 68    | 73     | 85     | 83     | 87    | 86    | 80    | 73    |
| Extract air            | 78                       | 69    | 71     | 75     | 68     | 66    | 65    | 57    | 48    |
| <b>9 V / 1020 l/s</b>  |                          |       |        |        |        |       |       |       |       |
| Surrounding            | 70                       | 58    | 65     | 66     | 58     | 59    | 61    | 56    | 41    |
| Supply air             | 90                       | 69    | 72     | 83     | 81     | 85    | 83    | 77    | 69    |
| Extract air            | 76                       | 66    | 69     | 73     | 65     | 64    | 61    | 54    | 45    |
| <b>8 V / 909 l/s</b>   |                          |       |        |        |        |       |       |       |       |
| Surrounding            | 67                       | 55    | 63     | 63     | 54     | 55    | 57    | 52    | 37    |
| Supply air             | 87                       | 64    | 70     | 82     | 78     | 81    | 79    | 73    | 65    |
| Extract air            | 73                       | 63    | 67     | 70     | 61     | 60    | 58    | 50    | 41    |
| <b>7 V / 797 l/s</b>   |                          |       |        |        |        |       |       |       |       |
| Surrounding            | 65                       | 53    | 61     | 61     | 50     | 51    | 52    | 46    | 32    |
| Supply air             | 82                       | 62    | 68     | 77     | 73     | 77    | 74    | 68    | 60    |
| Extract air            | 71                       | 61    | 65     | 67     | 58     | 56    | 54    | 46    | 36    |
| <b>6 V / 657 l/s</b>   |                          |       |        |        |        |       |       |       |       |
| Surrounding            | 61                       | 50    | 58     | 57     | 46     | 46    | 47    | 41    | 28    |
| Supply air             | 78                       | 59    | 65     | 73     | 70     | 72    | 69    | 63    | 54    |
| Extract air            | 69                       | 59    | 62     | 67     | 53     | 51    | 49    | 40    | 30    |
| <b>5 V / 525 l/s</b>   |                          |       |        |        |        |       |       |       |       |
| Surrounding            | 56                       | 47    | 54     | 50     | 40     | 40    | 41    | 34    | 26    |
| Supply air             | 72                       | 57    | 63     | 66     | 63     | 67    | 63    | 56    | 47    |
| Extract air            | 63                       | 55    | 60     | 57     | 46     | 45    | 42    | 33    | 21    |
| <b>4 V / 381 l/s</b>   |                          |       |        |        |        |       |       |       |       |
| Surrounding            | 50                       | 43    | 48     | 43     | 33     | 33    | 33    | 28    | 26    |
| Supply air             | 66                       | 53    | 58     | 60     | 56     | 61    | 55    | 48    | 37    |
| Extract air            | 57                       | 52    | 53     | 50     | 38     | 38    | 34    | 24    | 12    |



### CONTROL VOLTAGE

| 1  | 2  | 3  | 4  | 5  | 6  | 7   |
|----|----|----|----|----|----|-----|
| 4V | 5V | 6V | 7V | 8V | 9V | 10V |

Pressure/airflow diagrams apply for both supply and extract air. Power and SFP apply for both of the fans together.





## AIR HANDLING UNITS

### ENERGY RECOVERY UNITS

**HERU®K** ..... 12  
Kitchen unit with energy recovery for installation above the kitchen stove.  
HERU®K is available with EC motors.  
Airflows up to 325 m<sup>3</sup>/h (0.9 m<sup>3</sup>/s).

**HERU®T** ..... 14  
Unit with energy recovery and top connections.  
HERU®T is available with AC and EC motors.  
Airflows up to 4300 m<sup>3</sup>/h (1.2 m<sup>3</sup>/s).

**HERU®LP**..... 36  
Low profile unit with energy recovery and side connections.  
HERU®LP is available with EC motors.  
Airflows up to 375 m<sup>3</sup>/h (0.10 m<sup>3</sup>/s).

**HERU®S** ..... 40  
Unit with energy recovery and side connections.  
HERU®S is available with AC and EC motors.  
Airflows up to 4300 m<sup>3</sup>/h (1.2 m<sup>3</sup>/s).

### SUPPLY AIR UNITS

**SAU** ..... 62  
SAU supply air unit is designed to provide a comfortable indoor climate with controlled heating and clean, filtered air.  
SAU is available with AC and EC motors.  
Airflows up to 1000 m<sup>3</sup>/h (0.28 m<sup>3</sup>/s).

### ACCESSORIES

**HERU® ASSESSORIES**

**FILTER**..... 82  
**FEET - NOVIBRA MATS - FLOOR STAND** ..... 83  
**CEILING MOUNTING PLATE** ..... 83  
**FRONT COVER** ..... 83  
**OUTSIDE WALL HOOD**..... 84  
**CONTROL KIT**..... 85  
**CONTROL SYSTEM SIEMENS CLIMATIX**..... 85  
**HEATERS** ..... 86  
**COOLING COILS**..... 86  
**RELAY PUMP CONTROL**..... 86  
**PRESSURE SENSOR KIT** ..... 87  
**DAMPERS**..... 87  
**FLOW METERS**..... 87  
**FILTER MONITORING**..... 87  
**SHUNT**..... 87  
**WATER TRAP** ..... 87

**SAU ACCESSORIES**

**FILTER**..... 88  
**FAN CONTROL UNITS**..... 88  
**CONTROL KIT**..... 88  
**REMOTE CONTROL**..... 89  
**ANTENNA**..... 89  
**CONTROL UNIT**..... 89

**OTHERS ACCESSORIES**

**SENSORS**..... 90  
**EXTENSION CABLE, ANTENNA** ..... 90  
**SILENCERS**..... 91  
**MOUNTING CLAMP** ..... 91  
**BACK DRAUGHT SHUTTERS** ..... 91  
**SAFETY GRILLE** ..... 91  
**LOUVRE SHUTTER** ..... 91

# SUPPLY AIR UNIT

## SAU 125 A1 AC

- Supply air unit with circular connections.
- Designed to provide a comfortable indoor climate with controlled heating and filtered, clean air.
- Low sound level, high operating reliability and provides clean indoor air.
- Comes complete with filter, fan and heater.
- Available with or without integrated pulses (with external set point adjuster) and duct sensor.
- Airflow is generated by a silent radial fan with AC motor, impeller with forward curved blades.
- The impeller is easy to clean thanks to its swing-out design.

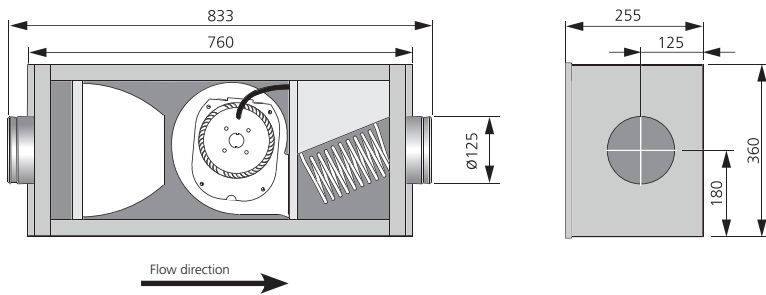
- Integrated overheating protection for heaters and motor windings.
- The unit has enclosure class IP 44.
- Comes with filter ISO ePM Coarse 65% as standard. The filter is very easy to change.
- Regulated with external control unit with two functions: Heater on/off and choice of two fan speeds. It is also possible to regulate externally using a Pulsar.
- The unit is constructed of galvanized steel sheet and insulated with 50 mm mineral wool board with an outer layer of fibreglass weave for easy cleaning.
- For placement in warm or cold areas.

### ACCESSORIES

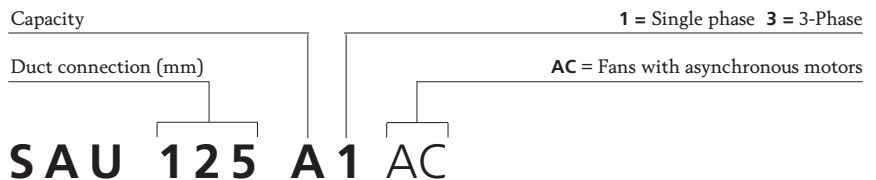
- Filter, ISO ePM1 65% and ISO ePM Coarse 80%
- Fan control
- Silencer, LDC 125
- Mounting clamp, MK 125, simplifies connection to duct and absorbs vibrations.
- Back draught shutter, RSK 125
- Safety grille, BSR/BSV 125
- Louvre shutter, VK 125



### DIMENSIONS (mm)



| Type                           | Art.no. |
|--------------------------------|---------|
| SAU 125 A1, 1.0 kW             | 8000010 |
| SAU 125 A1, 1.0 kW with Pulsar | 8000011 |





This product is not sold within the EU.

# SUPPLY AIR UNIT

## SAU 125 A1 AC

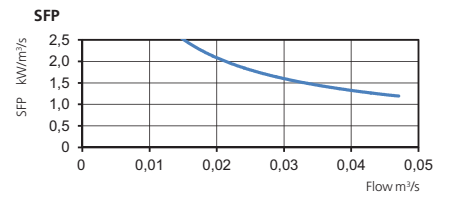
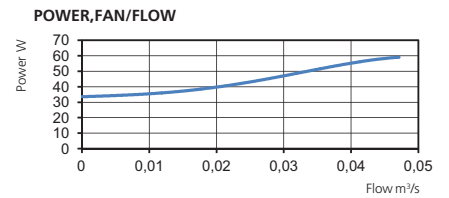
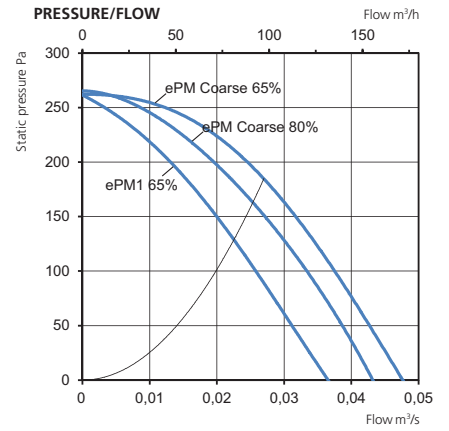
### TECHNICAL DATA

| SAU 125 A1 AC                       | Without Pulser | With Pulser           |
|-------------------------------------|----------------|-----------------------|
| <b>Voltage</b>                      | 230            | 230 V                 |
| <b>Voltage, range</b>               | 220-240        | 220-240 V             |
| <b>Frequency</b>                    | 50             | 50 Hz                 |
| <b>Phase</b>                        | 1              | 1 ~                   |
| <b>Total current</b>                | 4.50           | 4.50 A                |
| <b>Power, fan</b>                   | 41             | 41 W                  |
| <b>Power, electric heater</b>       | 1000           | 1000 W                |
| <b>Total power</b>                  | 1041           | 1041 W                |
| <b>Speed</b>                        | 1100           | 1100 rpm              |
| <b>Capacitor</b>                    | 3              | 3 µF                  |
| <b>Max. temp of transported air</b> | 50             | 50 °C                 |
| <b>Sound pressure level, 3 m</b>    | 38             | 38 dB L <sub>PA</sub> |
| <b>Weight</b>                       | 19.0           | 19.6 kg               |
| <b>Wiring diagram</b>               | 4040037        | 4040038               |

### SOUND DATA (dB)

|                       | Total (L <sub>wA</sub> ) | 63 Hz | 125 Hz | 250 Hz | 500 Hz | 1k Hz | 2k Hz | 4k Hz | 8k Hz |
|-----------------------|--------------------------|-------|--------|--------|--------|-------|-------|-------|-------|
| <b>230 V / 27 l/s</b> |                          |       |        |        |        |       |       |       |       |
| Surrounding           | 45                       | 28    | 33     | 38     | 41     | 36    | 33    | 30    | 32    |
| Outlet                | 59                       | 49    | 54     | 50     | 51     | 53    | 48    | 42    | 36    |
| Inlet                 | 55                       | 47    | 52     | 50     | 42     | 38    | 36    | 32    | 31    |

Above sound values measured with filter ISO ePM Coarse 65% (highest pressure/airflow).  
The filter only reduces pressure -> same sound values at same airflow regardless of filter class.



# SUPPLY AIR UNIT

## SAU 125 C1 AC

- Supply air unit with circular connections.
- Designed to provide a comfortable indoor climate with controlled heating and clean, filtered air.
- Low sound level, high operating reliability and provides clean indoor air.
- Comes complete with filter, fan and heater.
- Available with or without integrated pulses (with external setpoint adjuster) and duct sensor.
- The airflow is generated by a silent radial fan with AC motor, impeller with forward curved blades.
- The impeller is easy to clean thanks to its swing-out design.

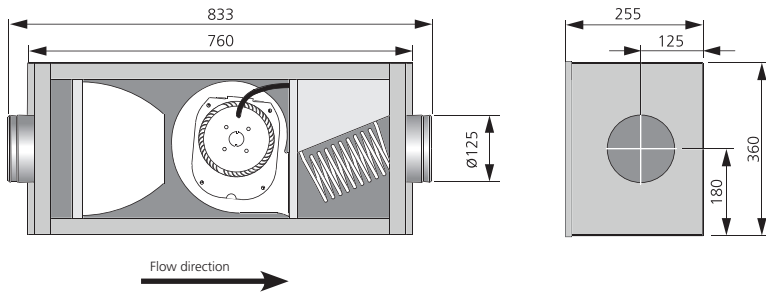
- Integrated overheating protection for heaters and motor windings.
- The unit has enclosure class IP 44.
- Comes with filter ISO ePM Coarse 65% as standard. The filter is very easy to change.
- Regulated with external control unit with two functions: Heater on/off and choice of two fan speeds.
- The unit is constructed of galvanized steel sheet and insulated with 50 mm mineral wool board with a outer layer of fibreglass weave for easy cleaning.
- For placement in warm or cold areas.

### ACCESSORIES

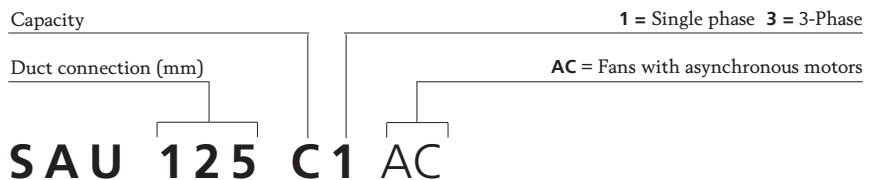
- Filter, ISO ePM1 65% and ISO ePM Coarse 80%
- Fan control
- Silencer, LDC 125
- Mounting clamp, MK 125, simplifies connection to duct and absorbs vibrations.
- Back draught shutter, RSK 125
- Safety grille, BSR/BSV 125
- Louvre shutter, VK 125



### DIMENSIONS (mm)



| Type                           | Art.no. |
|--------------------------------|---------|
| SAU 125 C1, 2.0 kW             | 8000012 |
| SAU 125 C1, 2.0 kW with Pulsar | 8000013 |







This product is not sold within the EU.

# SUPPLY AIR UNIT

## SAU 125 C1 AC

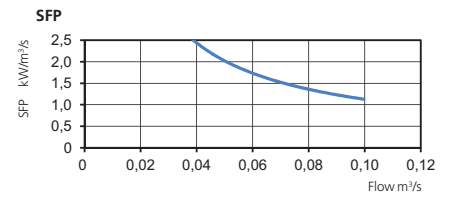
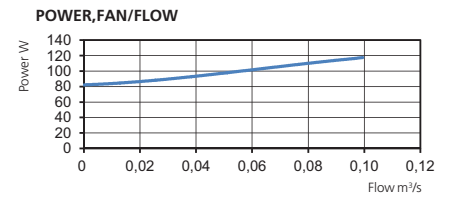
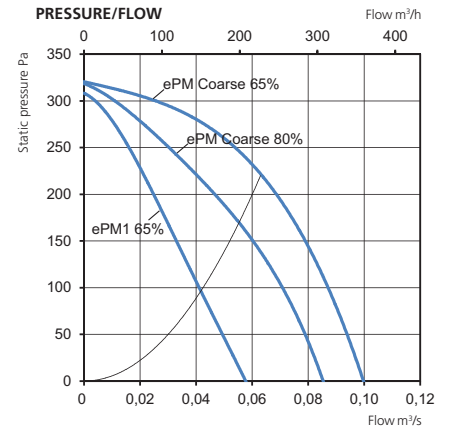
### TECHNICAL DATA

| SAU 125 C1 AC                       | Without Pulser | With Pulser           |
|-------------------------------------|----------------|-----------------------|
| <b>Voltage</b>                      | 230            | 230 V                 |
| <b>Voltage, range</b>               | 220-240        | 220-240 V             |
| <b>Frequency</b>                    | 50             | 50 Hz                 |
| <b>Phase</b>                        | 1              | ~                     |
| <b>Total current</b>                | 9.20           | 9.20 A                |
| <b>Power, fan</b>                   | 120            | 120 W                 |
| <b>Power, electric heater</b>       | 2000           | 2000 W                |
| <b>Total power</b>                  | 2110           | 2110 W                |
| <b>Speed</b>                        | 1850           | 1850 rpm              |
| <b>Capacitor</b>                    | 4              | 4 µF                  |
| <b>Max. temp of transported air</b> | 50             | 50 °C                 |
| <b>Sound pressure level, 3 m</b>    | 42             | 42 dB L <sub>PA</sub> |
| <b>Weight</b>                       | 17.8           | 18.5 kg               |
| <b>Wiring diagram</b>               | 4040040        | 4040041               |

### SOUND DATA (dB)

|                       | Total (L <sub>WA</sub> ) | 63 Hz | 125 Hz | 250 Hz | 500 Hz | 1k Hz | 2k Hz | 4k Hz | 8k Hz |
|-----------------------|--------------------------|-------|--------|--------|--------|-------|-------|-------|-------|
| <b>230 V / 63 l/s</b> |                          |       |        |        |        |       |       |       |       |
| Surrounding           | 49                       | 28    | 38     | 44     | 45     | 39    | 36    | 32    | 32    |
| Outlet                | 65                       | 52    | 60     | 56     | 56     | 58    | 57    | 49    | 45    |
| Inlet                 | 60                       | 50    | 56     | 56     | 48     | 43    | 42    | 40    | 30    |

Above sound values measured with filter ISO ePM Coarse 65% (highest pressure/airflow).  
The filter only reduces pressure -> same sound values at same airflow regardless of filter class.



# SUPPLY AIR UNIT

## SAU 200 B1 AC

- Supply air unit with circular connections.
- Designed to provide a comfortable indoor climate with controlled heating and filtered, clean air.
- Low sound level, high operating reliability and provides clean indoor air.
- Comes complete with filter, fan and heater.
- Available with or without integrated pulses (with external setpoint adjuster) and duct sensor.
- Airflow is generated by a silent radial fans with AC motor, impeller with backward curved blades.
- The impeller is easy to clean thanks to its swing-out design.

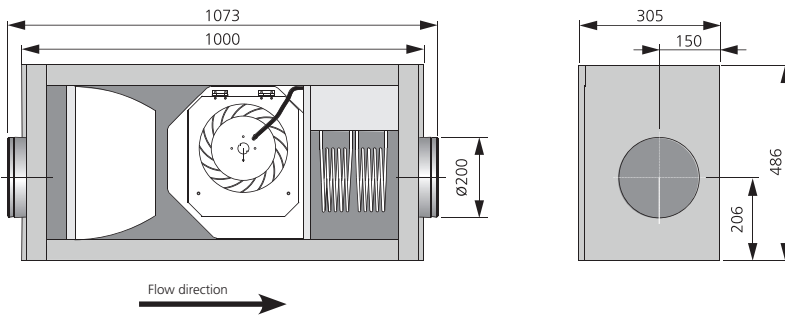
- Integrated overheating protection for heaters and motor windings.
- The unit has enclosure class IP 44.
- Comes with filter ISO ePM Coarse 65% as standard. The filter is very easy to change.
- Regulated with external control unit with two functions: Heater on/off and choice of two fan speeds.
- The unit is constructed of galvanized steel sheet and insulated with 50 mm mineral wool board with a outer layer of fibreglass weave for easy cleaning.
- For placement in warm or cold areas.

### ACCESSORIES

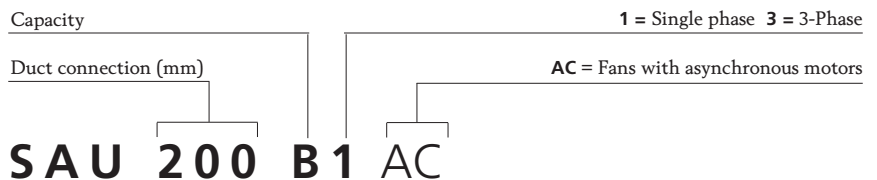
- Filter, ISO ePM1 65% and ISO ePM Coarse 80%
- Fan control
- Silencer, LDC 200
- Mounting clamp, MK 200, simplifies connection to duct and absorbs vibrations.
- Back draught shutter, RSK 200
- Safety grille, BSR/BSV 200
- Louvre shutter, VK 200



### DIMENSIONS (mm)



| Type                           | Art.no. |
|--------------------------------|---------|
| SAU 200 B1, 2.0 kW             | 8000014 |
| SAU 200 B1, 2.0 kW with Pulsar | 8000015 |





This product is not sold within the EU.

# SUPPLY AIR UNIT

## SAU 200 B1 AC

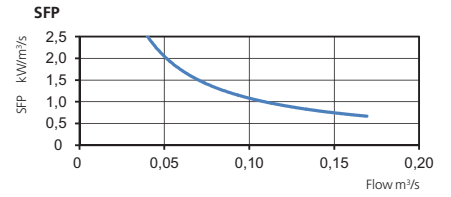
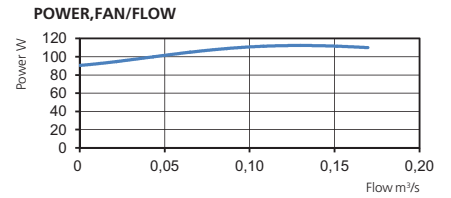
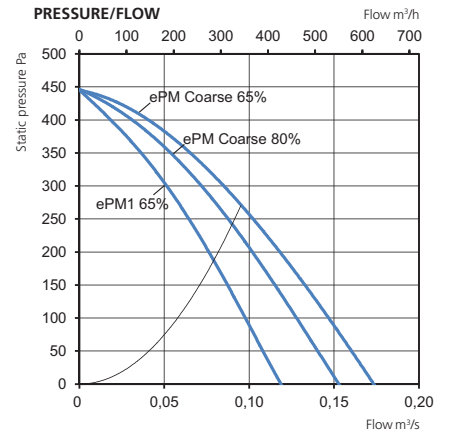
### TECHNICAL DATA

| SAU 200 B1 AC                       | Without Pulser | With Pulser           |
|-------------------------------------|----------------|-----------------------|
| <b>Voltage</b>                      | 230            | 230 V                 |
| <b>Voltage, range</b>               | 220-240        | 220-240 V             |
| <b>Frequency</b>                    | 50             | 50 Hz                 |
| <b>Phase</b>                        | 1              | 1 ~                   |
| <b>Total current</b>                | 9.20           | 9.20 A                |
| <b>Power, fan</b>                   | 105            | 105 W                 |
| <b>Power, electric heater</b>       | 2000           | 2000 W                |
| <b>Total power</b>                  | 2105           | 2105 W                |
| <b>Speed</b>                        | 2500           | 2500 rpm              |
| <b>Capacitor</b>                    | 4              | 4 µF                  |
| <b>Max. temp of transported air</b> | 60             | 60 °C                 |
| <b>Sound pressure level, 3 m</b>    | 43             | 43 dB L <sub>PA</sub> |
| <b>Weight</b>                       | 28.5           | 30.4 kg               |
| <b>Wiring diagram</b>               | 4040040        | 4040041               |

### SOUND DATA (dB)

|                       | Total (L <sub>wA</sub> ) | 63 Hz | 125 Hz | 250 Hz | 500 Hz | 1k Hz | 2k Hz | 4k Hz | 8k Hz |
|-----------------------|--------------------------|-------|--------|--------|--------|-------|-------|-------|-------|
| <b>230 V / 95 l/s</b> |                          |       |        |        |        |       |       |       |       |
| Surrounding           | 50                       | 46    | 41     | 44     | 46     | 41    | 38    | 34    | 32    |
| Outlet                | 69                       | 51    | 55     | 62     | 66     | 63    | 58    | 51    | 39    |
| Inlet                 | 62                       | 45    | 53     | 59     | 58     | 49    | 44    | 40    | 27    |

Above sound values measured with filter ISO ePM Coarse 65% (highest pressure/airflow).  
The filter only reduces pressure -> same sound values at same airflow regardless of filter class.



## SUPPLY AIR UNIT

# SAU 200 B3 AC

- Supply air unit with circular connections.
- Designed to provide a comfortable indoor climate with controlled heating and clean, filtered air.
- Low sound level, high operating reliability and provides clean indoor air.
- Comes complete with filter, fan and heater.
- Available with or without integrated pulses (with external setpoint adjuster) and duct sensor.
- Airflow is generated by a silent radial fan with AC motor, impeller with backward curved blades.
- The impeller is easy to clean thanks to its swing-out design.

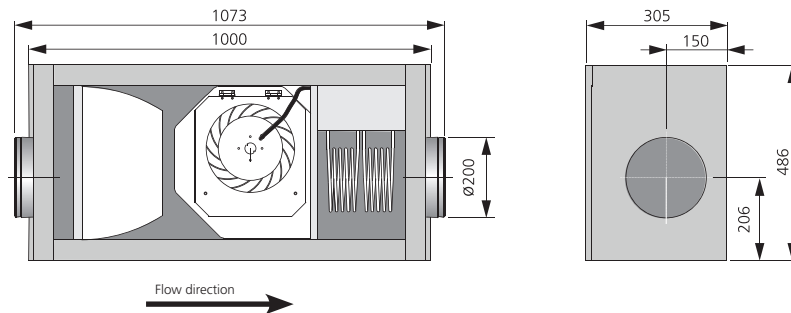
- Integrated overheating protection for heaters and motor windings.
- The unit has enclosure class IP 44.
- Comes with filter ISO ePM Coarse 65% as standard. The filter is very easy to change.
- Regulated with external control unit with two functions: Heater on/off and choice of two fan speeds.
- The unit is constructed of galvanized steel sheet and insulated with 50 mm mineral wool board with a outer layer of fibreglass weave for easy cleaning.
- For placement in warm or cold areas.

### ACCESSORIES

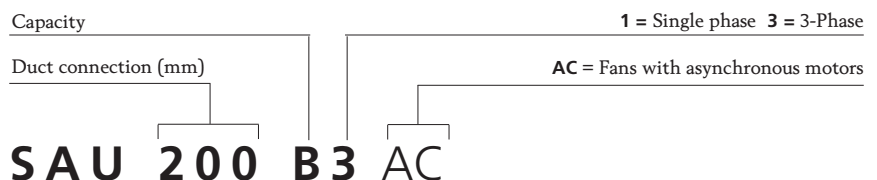
- Filter, ISO ePM1 65% and ISO ePM Coarse 80%
- Fan control
- Silencer, LDC 200
- Mounting clamp, MK 200, simplifies connection to duct and absorbs vibrations.
- Back draught shutter, RSK 200
- Safety grille, BSR/BSV 200
- Louvre shutter, VK 200



### DIMENSIONS (mm)



| Type                           | Art.no. |
|--------------------------------|---------|
| SAU 200 B3, 5.0 kW             | 8000018 |
| SAU 200 B3, 4.4 kW with Pulsar | 8000019 |





This product is not sold within the EU.

# SUPPLY AIR UNIT

## SAU 200 B3 AC

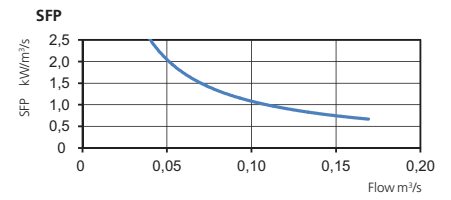
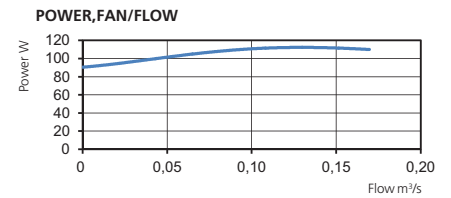
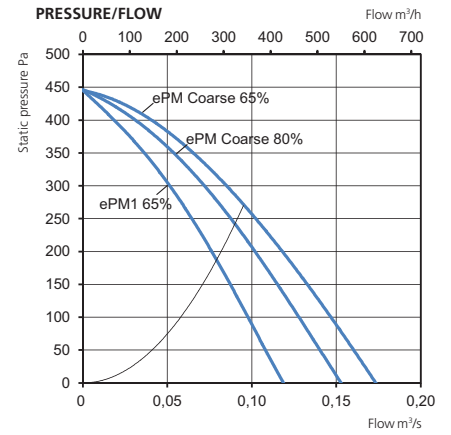
### TECHNICAL DATA

| SAU 200 B3 AC                       | Without Pulser | With Pulser           |
|-------------------------------------|----------------|-----------------------|
| <b>Voltage</b>                      | 400            | 400 V                 |
| <b>Voltage, range</b>               | 380-415        | 380-415 V             |
| <b>Frequency</b>                    | 50             | 50 Hz                 |
| <b>Phase</b>                        | 3              | 2 ~                   |
| <b>Total current</b>                | 11.60          | 11.60 A               |
| <b>Power, fan</b>                   | 105            | 105 W                 |
| <b>Power, electric heater</b>       | 5000           | 4400 W                |
| <b>Total power</b>                  | 5105           | 4505 W                |
| <b>Speed</b>                        | 2500           | 2500 rpm              |
| <b>Capacitor</b>                    | 4              | 4 µF                  |
| <b>Max. temp of transported air</b> | 50             | 50 °C                 |
| <b>Sound pressure level, 3 m</b>    | 43             | 43 dB L <sub>PA</sub> |
| <b>Weight</b>                       | 30.0           | 31.3 kg               |
| <b>Wiring diagram</b>               | 4040043        | 4040044               |

### SOUND DATA (dB)

|                       | Total (L <sub>WA</sub> ) | 63 Hz | 125 Hz | 250 Hz | 500 Hz | 1k Hz | 2k Hz | 4k Hz | 8k Hz |
|-----------------------|--------------------------|-------|--------|--------|--------|-------|-------|-------|-------|
| <b>230 V / 95 l/s</b> |                          |       |        |        |        |       |       |       |       |
| Surrounding           | 50                       | 46    | 41     | 44     | 46     | 41    | 38    | 34    | 32    |
| Outlet                | 69                       | 51    | 55     | 62     | 66     | 63    | 58    | 51    | 39    |
| Inlet                 | 62                       | 45    | 53     | 59     | 58     | 49    | 44    | 40    | 27    |

Above sound values measured with filter ISO ePM Coarse 65% (highest pressure/airflow).  
The filter only reduces pressure -> same sound values at same airflow regardless of filter class.



# SUPPLY AIR UNIT

## SAU 200 C3 Erp AC

- Supply air unit with circular connections.
- Designed to provide a comfortable indoor climate with controlled heating and filtered, clean air.
- Low sound level, high operating reliability and provides clean indoor air.
- Comes complete with filter, fan and heater.
- Available with or without integrated pulses (with external setpoint adjuster) and duct sensor.
- Airflow is generated by a silent radial fan with AC motor, impeller with backward curved blades.
- The impeller is easy to clean thanks to its swing-out design.

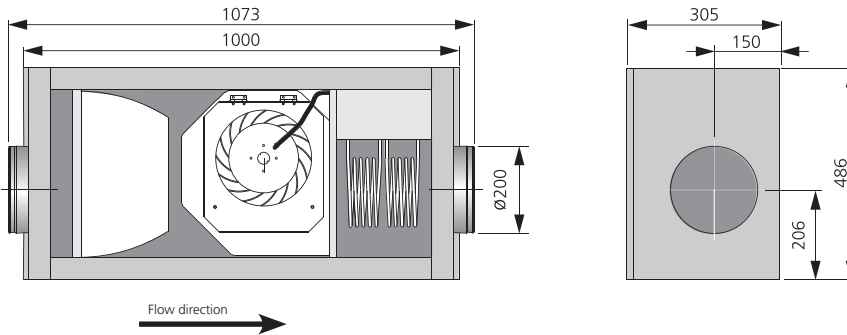
- Integrated overheating protection for heaters and motor windings.
- The unit has enclosure class IP 44.
- Comes with filter ISO ePM Coarse 65% as standard. The filter is very easy to change.
- Regulated with external control unit with two functions: Heater on/off and choice of two fan speeds.
- The unit is constructed of galvanized steel sheet and insulated with 50 mm mineral wool board with a outer layer of fibreglass weave for easy cleaning.
- For placement in warm or cold areas.

### ACCESSORIES

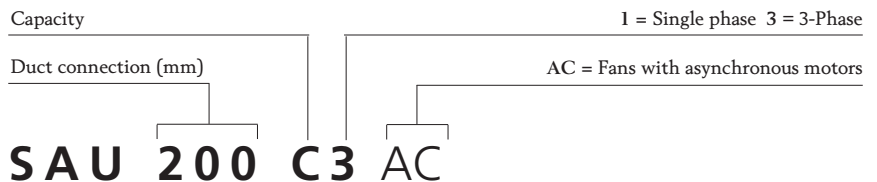
- Filter, ISO ePM1 65% and ISO ePM Coarse 80%
- Fan control
- Silencer, LDC 200
- Mounting clamp, MK 200, simplifies connection to duct and absorbs vibrations.
- Back draught shutter, RSK 200
- Safety grille, BSR/BSV 200
- Louvre shutter, VK 200



### DIMENSIONS (mm)



| Type                           | Art.no. |
|--------------------------------|---------|
| SAU 200 C3, 5.0 kW             | 8000024 |
| SAU 200 C3, 4.4 kW with Pulsar | 8000025 |





This product is not sold within the EU.

# SUPPLY AIR UNIT

## SAU 200 C3 Erp AC

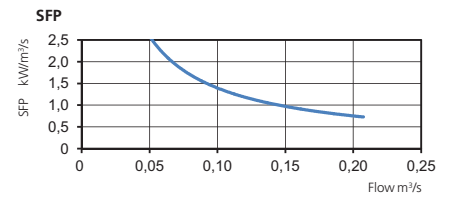
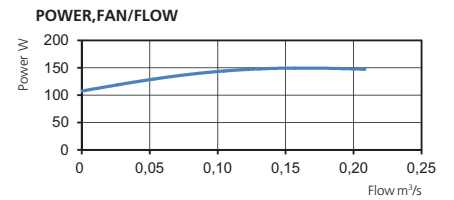
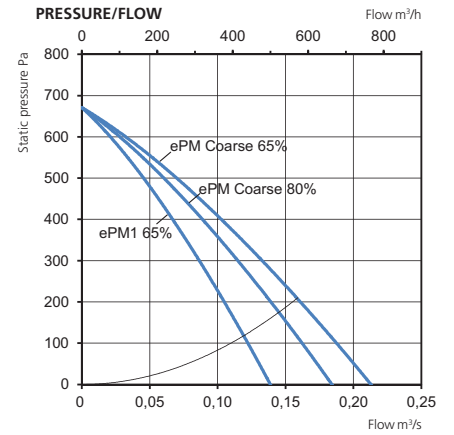
### TECHNICAL DATA

| SAU 200 C3 Erp AC                   | Without Pulser | With Pulser     |
|-------------------------------------|----------------|-----------------|
| <b>Voltage</b>                      | 400            | 400 V           |
| <b>Voltage, range</b>               | 380-415        | 380-415 V       |
| <b>Frequency</b>                    | 50             | 50 Hz           |
| <b>Phase</b>                        | 3              | 2 ~             |
| <b>Total current</b>                | 13.00          | 11.70 A         |
| <b>Power, fan</b>                   | 150            | 150 W           |
| <b>Power, electric heater</b>       | 5000           | 4400 W          |
| <b>Total power</b>                  | 5150           | 4550 W          |
| <b>Speed</b>                        | 2740           | 2740 rpm        |
| <b>Capacitor</b>                    | 5              | 5 $\mu$ F       |
| <b>Max. temp of transported air</b> | 40             | 40 $^{\circ}$ C |
| <b>Sound pressure level, 3 m</b>    | 45             | 45 dB $L_{PA}$  |
| <b>Weight</b>                       | 31.3           | 32.0 kg         |
| <b>Wiring diagram</b>               | 4040043        | 4040044         |

### SOUND DATA (dB)

|                        | Total ( $L_{wA}$ ) | 63 Hz | 125 Hz | 250 Hz | 500 Hz | 1k Hz | 2k Hz | 4k Hz | 8k Hz |
|------------------------|--------------------|-------|--------|--------|--------|-------|-------|-------|-------|
| <b>230 V / 159 l/s</b> |                    |       |        |        |        |       |       |       |       |
| Surrounding            | 52                 | 37    | 40     | 51     | 45     | 38    | 34    | 31    | 28    |
| Outlet                 | 71                 | 56    | 59     | 65     | 66     | 62    | 61    | 61    | 52    |
| Inlet                  | 62                 | 56    | 58     | 57     | 52     | 42    | 40    | 43    | 31    |

Above sound values measured with filter ISO ePM Coarse 65% (highest pressure/airflow).  
The filter only reduces pressure -> same sound values at same airflow regardless of filter class.



# SUPPLY AIR UNIT

## SAU 250 E AC

- Supply air unit with circular connections.
- Designed to provide a comfortable indoor climate with controlled heating and clean, filtered air.
- Low sound level, high operating reliability and provides clean indoor air.
- Comes complete with filter, fan and heater.
- SAU 250 with a water battery is operated using a 3-way valve and control equipment.
- Available with or without integrated pulses (with external setpoint adjuster) and duct sensor.
- Airflow is generated by a silent radial fan with AC motor, impeller with backward curved blades.

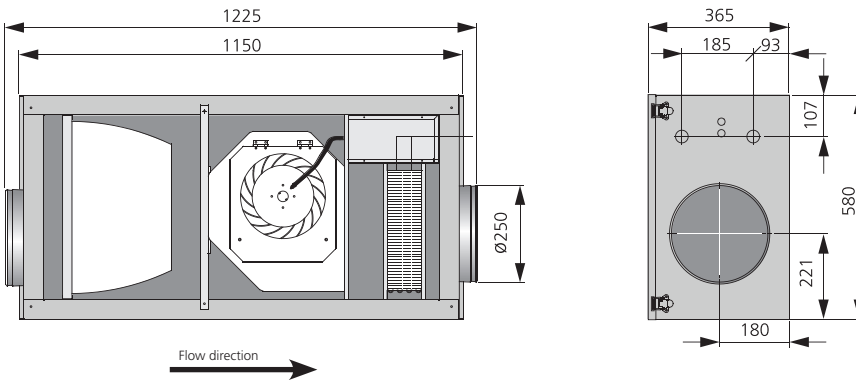
- The impeller is easy to clean thanks to its swing-out design.
- Integrated overheating protection for heater and motor windings.
- Comes with filter ISO ePM Coarse 65% as standard. The filter is very easy to change.
- Regulated with external control unit with two functions: Heater on/off and choice of two fan speeds.
- The unit is constructed of galvanized steel sheet and insulated with 50 mm mineral wool board with a outer layer of fibreglass weave for easy cleaning.
- For placement in warm or cold areas.

### ACCESSORIES

- Filter, ISO ePM1 65% and ISO ePM Coarse 80%
- Control Kit
- Silencer, LDC 250
- Mounting clamp, MK 250, simplifies connection to duct and absorbs vibrations.
- Back draught shutter, RSK 250
- Safety grille, BSR/BSV 250
- Louvre shutter, VK 250



### DIMENSIONS (mm)



| Type      | Art.no. |
|-----------|---------|
| SAU 250 E | 8000045 |







This product is not sold within the EU.

## SUPPLY AIR UNIT

# SAU 250 E AC

### TECHNICAL DATA

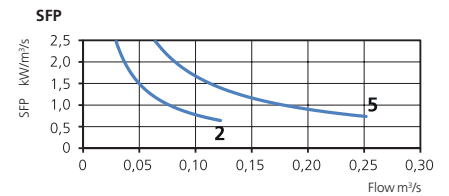
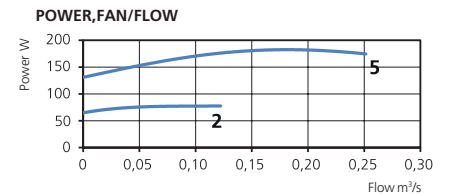
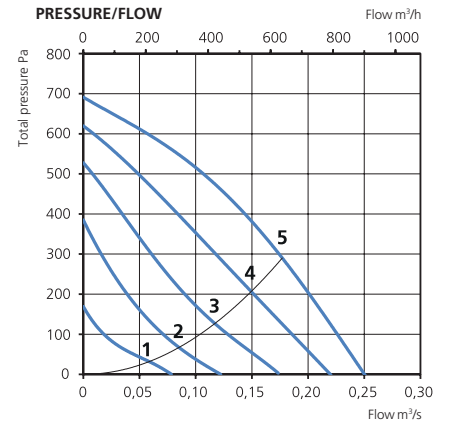
| SAU 250 E AC                 |                       |
|------------------------------|-----------------------|
| Voltage                      | 230 V                 |
| Voltage, range               | 220-240 V             |
| Frequency                    | 50 Hz                 |
| Phase                        | 1 ~                   |
| Total current                | 0.80 A                |
| Power, fan                   | 183 W                 |
| Power, electric heater       | - W                   |
| Total power                  | 183 W                 |
| Speed                        | 2420 rpm              |
| Capacitor                    | 5 µF                  |
| Max. temp of transported air | 40 °C                 |
| Sound pressure level, 3 m    | 45 dB L <sub>PA</sub> |
| Weight                       | 50.0 kg               |
| Wiring diagram               | 4040058               |

### TECHNICAL DATA with water battery

| Airflow           | 250 l/s and 45°C DT | 200 l/s and 50°C DT | 150 l/s and 55°C DT |      |
|-------------------|---------------------|---------------------|---------------------|------|
| Power             | 14.7                | 12.7                | 10.3                | kW   |
| Water temperature | 60/40               | 60/40               | 60/40               | °C   |
| Pressure dop      | 11.2                | 8.5                 | 5.9                 | kPa  |
| Flow              | 0.18                | 0.15                | 0.12                | l/s  |
| Connection        | 18                  | 18                  | 18                  | Ø mm |

### SOUND DATA (dB)

|                        | Total (L <sub>WA</sub> ) | 63 Hz | 125 Hz | 250 Hz | 500 Hz | 1k Hz | 2k Hz | 4k Hz | 8k Hz |
|------------------------|--------------------------|-------|--------|--------|--------|-------|-------|-------|-------|
| <b>230 V / 177 l/s</b> |                          |       |        |        |        |       |       |       |       |
| Surrounding            | 52                       | 36    | 40     | 51     | 41     | 32    | 31    | 32    | 29    |
| Outlet                 | 71                       | 56    | 56     | 68     | 62     | 60    | 61    | 56    | 44    |
| Inlet                  | 60                       | 57    | 50     | 55     | 43     | 39    | 36    | 32    | 25    |
| <b>165 V / 151 l/s</b> |                          |       |        |        |        |       |       |       |       |
| Surrounding            | 54                       | 32    | 36     | 53     | 37     | 29    | 27    | 28    | 28    |
| Outlet                 | 66                       | 51    | 53     | 62     | 59     | 54    | 57    | 49    | 38    |
| Inlet                  | 54                       | 48    | 48     | 50     | 38     | 33    | 31    | 26    | 19    |
| <b>135 V / 117 l/s</b> |                          |       |        |        |        |       |       |       |       |
| Surrounding            | 47                       | 31    | 33     | 47     | 32     | 26    | 25    | 27    | 28    |
| Outlet                 | 63                       | 47    | 49     | 61     | 55     | 48    | 51    | 40    | 30    |
| Inlet                  | 51                       | 44    | 42     | 49     | 35     | 27    | 26    | 19    | 13    |
| <b>110 V / 86 l/s</b>  |                          |       |        |        |        |       |       |       |       |
| Surrounding            | 38                       | 24    | 35     | 32     | 26     | 25    | 24    | 26    | 28    |
| Outlet                 | 52                       | 41    | 49     | 46     | 43     | 41    | 38    | 27    | 19    |
| Inlet                  | 44                       | 38    | 41     | 36     | 25     | 21    | 17    | 14    | 10    |
| <b>80 V / 63 l/s</b>   |                          |       |        |        |        |       |       |       |       |
| Surrounding            | 34                       | 25    | 26     | 24     | 20     | 25    | 24    | 26    | 28    |
| Outlet                 | 43                       | 36    | 39     | 36     | 33     | 28    | 23    | 15    | 11    |
| Inlet                  | 35                       | 31    | 30     | 27     | 15     | 11    | 14    | 13    | 9     |



### TRANSFORMER STEPS

| 1   | 2    | 3    | 4    | 5    |
|-----|------|------|------|------|
| 80V | 110V | 135V | 165V | 230V |

## SUPPLY AIR UNIT

# SAU 125 C1 EC

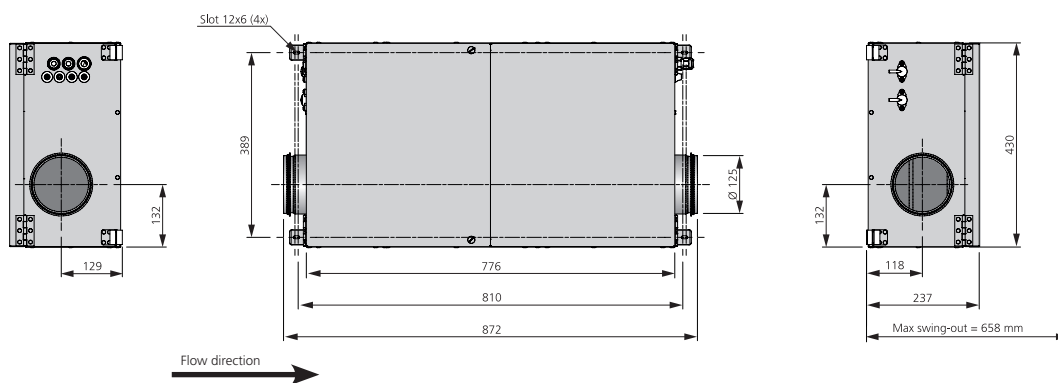
- An insulated supply air unit with circular connections.
- Designed to provide a comfortable indoor climate with controlled heating and filtered, clean air.
- The unit has an external control unit for operating and to preset the required temperature as well as monitor the unit's status.
- Low sound level, high operating reliability and provides clean indoor air.
- Comes with Modbus communication via RS485 as standard.
- Comes complete with filter, fan, duct sensor and electrical heater as standard.
- Airflow is generated by a silent radial fan with EC motor, impeller with backward curved blades.
- The fan house and impeller is easy to clean.
- Comes with filter ISO ePM1 50% as standard. The filter is very easy to change.
- Duct connections are equipped with rubber seals.
- The unit is constructed from galvanized steel sheet and insulated with an easy to clean 30 mm fiberglass.
- For placement in warm or cold areas.

### ACCESSORIES

- Filter ISO ePM2.5 60%
- Remote control
- Antenna
- Control unit
- Carbon dioxide sensor CO<sub>2</sub>
- Humidity sensor RH
- Room sensor Temp
- Duct sensor
- Extension cable, antenna
- Silencer LDC 125
- Mounting clamp MK 125, simplifies connection to duct and absorbs vibrations.
- Back draught shutter RSK 125
- Safety grille BSR/BSV 125
- Louvre shutters VK 125



### DIMENSIONS (mm)



Capacity

Duct connection (mm)

1 = Single phase 3 = 3-Phase

EC = Fans with low-energy motors

| Type          | Art.no. |
|---------------|---------|
| SAU 125 C1 EC | 8000063 |

**SAU 125 C1 EC**



# SUPPLY AIR UNIT

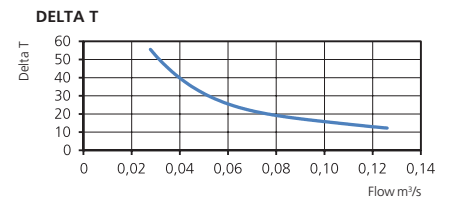
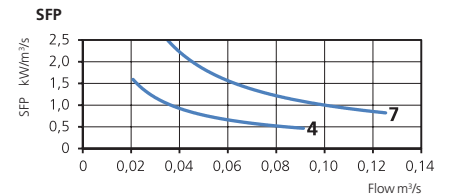
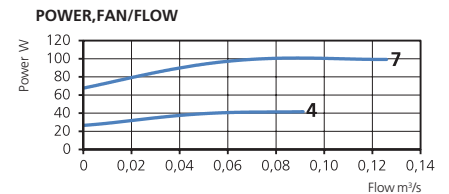
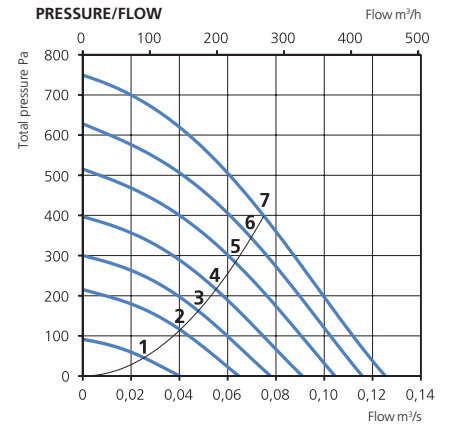
## SAU 125 C1 EC

### TECHNICAL DATA

| SAU 125 C1 EC                |                       |
|------------------------------|-----------------------|
| Voltage                      | 230 V                 |
| Voltage, range               | 220-240 V             |
| Frequency                    | 50 Hz                 |
| Phase                        | 1 ~                   |
| Total current                | 9.60 A                |
| Power, fan                   | 101 W                 |
| Power, electric heater       | 2000 W                |
| Total power                  | 2110 W                |
| Speed                        | 3540 rpm              |
| Capacitor                    | 5 µF                  |
| Max. temp of transported air | 60 °C                 |
| Sound pressure level, 3 m    | 45 dB L <sub>PA</sub> |
| Weight                       | 20.4 kg               |
| Wiring diagram               | 4040206               |

### SOUND DATA (dB)

|                      | Total (L <sub>wa</sub> ) | 63 Hz | 125 Hz | 250 Hz | 500 Hz | 1k Hz | 2k Hz | 4k Hz | 8k Hz |
|----------------------|--------------------------|-------|--------|--------|--------|-------|-------|-------|-------|
| <b>10 V / 75 l/s</b> |                          |       |        |        |        |       |       |       |       |
| Surrounding          | 52                       | 32    | 45     | 50     | 46     | 37    | 34    | 34    | 30    |
| Outlet               | 73                       | 57    | 61     | 64     | 67     | 63    | 67    | 60    | 52    |
| Inlet                | 61                       | 51    | 54     | 57     | 51     | 43    | 48    | 44    | 33    |
| <b>9 V / 70 l/s</b>  |                          |       |        |        |        |       |       |       |       |
| Surrounding          | 51                       | 29    | 43     | 48     | 45     | 36    | 33    | 32    | 29    |
| Outlet               | 72                       | 56    | 60     | 63     | 67     | 62    | 66    | 58    | 50    |
| Inlet                | 60                       | 51    | 54     | 56     | 50     | 41    | 47    | 42    | 31    |
| <b>8 V / 64 l/s</b>  |                          |       |        |        |        |       |       |       |       |
| Surrounding          | 49                       | 30    | 42     | 46     | 40     | 33    | 31    | 30    | 29    |
| Outlet               | 69                       | 55    | 59     | 62     | 61     | 59    | 64    | 55    | 46    |
| Inlet                | 58                       | 50    | 53     | 54     | 46     | 38    | 44    | 39    | 27    |
| <b>7 V / 55 l/s</b>  |                          |       |        |        |        |       |       |       |       |
| Surrounding          | 47                       | 27    | 40     | 44     | 38     | 30    | 29    | 28    | 28    |
| Outlet               | 66                       | 54    | 58     | 60     | 57     | 55    | 61    | 52    | 42    |
| Inlet                | 55                       | 47    | 51     | 51     | 42     | 36    | 41    | 36    | 23    |
| <b>6 V / 47 l/s</b>  |                          |       |        |        |        |       |       |       |       |
| Surrounding          | 44                       | 22    | 37     | 41     | 34     | 28    | 26    | 27    | 28    |
| Outlet               | 63                       | 51    | 54     | 58     | 53     | 51    | 57    | 47    | 36    |
| Inlet                | 53                       | 46    | 49     | 48     | 39     | 32    | 37    | 32    | 19    |
| <b>5 V / 40 l/s</b>  |                          |       |        |        |        |       |       |       |       |
| Surrounding          | 41                       | 20    | 33     | 38     | 31     | 26    | 24    | 27    | 28    |
| Outlet               | 59                       | 49    | 51     | 56     | 49     | 47    | 52    | 41    | 29    |
| Inlet                | 51                       | 44    | 45     | 49     | 35     | 28    | 33    | 26    | 13    |
| <b>3 V / 24 l/s</b>  |                          |       |        |        |        |       |       |       |       |
| Surrounding          | 34                       | 16    | 26     | 27     | 23     | 24    | 23    | 27    | 28    |
| Outlet               | 48                       | 43    | 43     | 39     | 37     | 36    | 39    | 25    | 13    |
| Inlet                | 42                       | 38    | 37     | 33     | 25     | 17    | 20    | 13    | 9     |



### TRANSFORMER STEPS

| 1  | 2  | 3  | 4  | 5  | 6  | 7   |
|----|----|----|----|----|----|-----|
| 3V | 5V | 6V | 7V | 8V | 9V | 10V |

ENERGIA - ENERGIJA - ENERGIJA - ENERGIJA - ENERGIJA - ENERGIJA - ENERGIJA  
**ENERG** Y UA IE IA  
**ÖSTBERG** SAU 125 C1 EC  
 A+ A B C D E F G **B**  
 47 dB 403 m³/h  
 ENERGIJA - ENERGIJA - ENERGIJA - ENERGIJA - ENERGIJA - ENERGIJA - ENERGIJA  
 2016 1254/2014

# SUPPLY AIR UNIT

## SAU 200 B3 EC

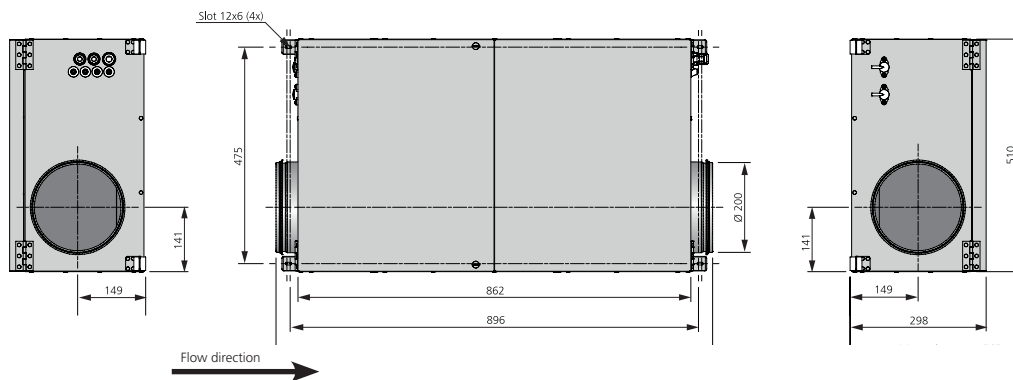
- An insulated supply air unit with circular connections.
- Designed to provide a comfortable indoor climate with controlled heating and filtered, clean air.
- The unit has an external control unit for operating and to preset the required temperature as well as monitor the unit's status.
- Low sound level, high operating reliability and provides clean indoor air.
- Comes with Modbus communication via RS485 as standard.
- Comes complete with filter, fan, duct sensor and electrical heater as standard.
- Airflow is generated by a silent radial fan with EC motor, impeller with backward curved blades.
- The fan house and impeller is easy to clean.
- Comes with filter ISO ePM1 50% as standard. The filter is very easy to change.
- Duct connections are equipped with rubber seals.
- The unit is constructed from galvanized steel sheet and insulated with an easy to clean 30 mm fiberglass.
- For placement in warm or cold areas.

### ACCESSORIES

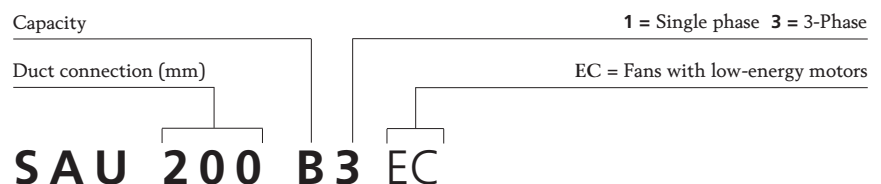
- Filter ISO ePM2.5 60%
- Remote control
- Antenna
- Control unit
- Carbon dioxide sensor CO2
- Humidity sensor RH
- Room sensor Temp
- Duct sensor
- Extension cable, antenna
- Silencer LDC 200
- Mounting clamp MK 200, simplifies connection to duct and absorbs vibrations.
- Back draught shutter RSK 200
- Safety grille BSR/BSV 200
- Louvre shutters VK 200

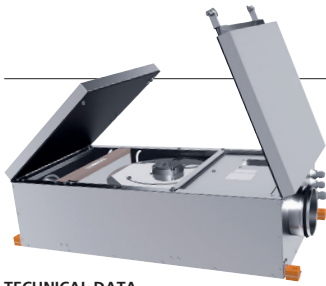


### DIMENSIONS (mm)



| Type          | Art.no. |
|---------------|---------|
| SAU 200 B3 EC | 8000065 |





# SUPPLY AIR UNIT

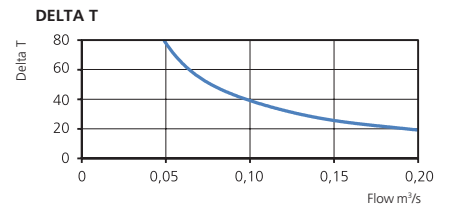
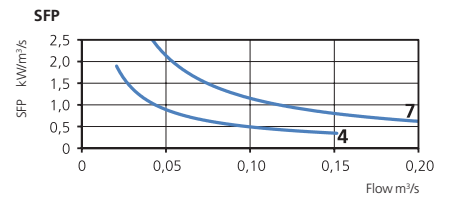
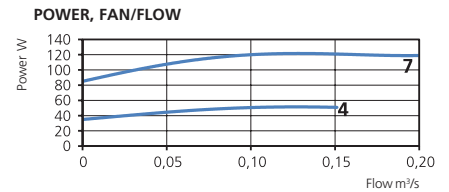
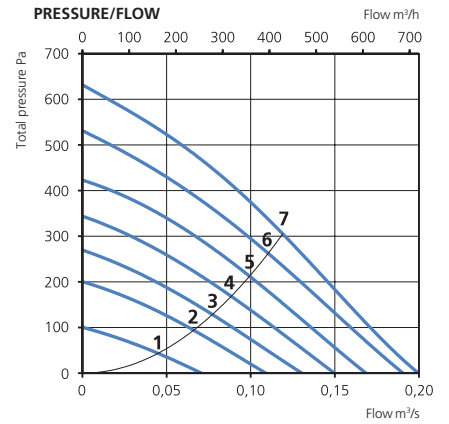
## SAU 200 B3 EC

### TECHNICAL DATA

| SAU 200 B3 EC                |                       |
|------------------------------|-----------------------|
| Voltage                      | 400 V                 |
| Voltage, range               | 220-240 V             |
| Frequency                    | 50 Hz                 |
| Phase                        | 3 ~                   |
| Total current                | 13.5 A                |
| Power, fans                  | 0.95 W                |
| Power, electric heater       | 5000 W                |
| Total power                  | 5130 W                |
| Speed                        | 2860 rpm              |
| Capacitor                    | - μF                  |
| Max. temp of transported air | 60 °C                 |
| Sound pressure level, 3 m    | 46 dB L <sub>PA</sub> |
| Weight                       | 26.0 kg               |
| Wiring diagram               | 4040207               |

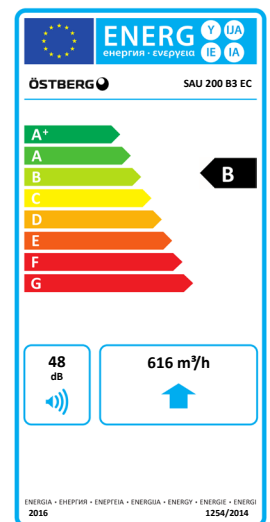
### SOUND DATA (dB)

|                       | Total (L <sub>wa</sub> ) | 63 Hz | 125 Hz | 250 Hz | 500 Hz | 1k Hz | 2k Hz | 4k Hz | 8k Hz |
|-----------------------|--------------------------|-------|--------|--------|--------|-------|-------|-------|-------|
| <b>10 V / 119 l/s</b> |                          |       |        |        |        |       |       |       |       |
| Surrounding           | 53                       | 33    | 42     | 52     | 45     | 35    | 33    | 30    | 28    |
| Outlet                | 73                       | 59    | 59     | 69     | 66     | 62    | 60    | 59    | 53    |
| Inlet                 | 63                       | 52    | 55     | 61     | 52     | 44    | 42    | 42    | 32    |
| <b>9 V / 109 l/s</b>  |                          |       |        |        |        |       |       |       |       |
| Surrounding           | 52                       | 30    | 40     | 51     | 43     | 34    | 31    | 29    | 27    |
| Outlet                | 70                       | 56    | 58     | 67     | 65     | 60    | 58    | 57    | 50    |
| Inlet                 | 61                       | 50    | 53     | 60     | 50     | 42    | 41    | 40    | 30    |
| <b>8 V / 97 l/s</b>   |                          |       |        |        |        |       |       |       |       |
| Surrounding           | 52                       | 27    | 39     | 51     | 41     | 31    | 28    | 27    | 27    |
| Outlet                | 70                       | 53    | 57     | 68     | 62     | 58    | 56    | 54    | 46    |
| Inlet                 | 60                       | 47    | 52     | 59     | 47     | 40    | 38    | 37    | 26    |
| <b>7 V / 87 l/s</b>   |                          |       |        |        |        |       |       |       |       |
| Surrounding           | 49                       | 26    | 38     | 48     | 39     | 29    | 26    | 26    | 27    |
| Outlet                | 69                       | 51    | 55     | 68     | 60     | 55    | 53    | 51    | 42    |
| Inlet                 | 61                       | 45    | 48     | 60     | 44     | 36    | 35    | 33    | 20    |
| <b>6 V / 76 l/s</b>   |                          |       |        |        |        |       |       |       |       |
| Surrounding           | 46                       | 25    | 35     | 45     | 35     | 27    | 24    | 25    | 27    |
| Outlet                | 66                       | 49    | 54     | 65     | 56     | 51    | 50    | 46    | 36    |
| Inlet                 | 57                       | 43    | 46     | 56     | 41     | 34    | 32    | 30    | 16    |
| <b>5 V / 42 l/s</b>   |                          |       |        |        |        |       |       |       |       |
| Surrounding           | 41                       | 23    | 31     | 39     | 31     | 26    | 22    | 25    | 27    |
| Outlet                | 61                       | 48    | 51     | 60     | 51     | 47    | 46    | 40    | 28    |
| Inlet                 | 55                       | 41    | 44     | 54     | 38     | 30    | 28    | 24    | 11    |
| <b>3 V / 24 l/s</b>   |                          |       |        |        |        |       |       |       |       |
| Surrounding           | 34                       | 19    | 27     | 27     | 23     | 24    | 21    | 25    | 27    |
| Outlet                | 49                       | 43    | 42     | 43     | 41     | 37    | 32    | 22    | 11    |
| Inlet                 | 42                       | 37    | 35     | 37     | 28     | 20    | 15    | 10    | 8     |



### TRANSFORMER STEPS

|    |    |    |    |    |    |     |
|----|----|----|----|----|----|-----|
| 1  | 2  | 3  | 4  | 5  | 6  | 7   |
| 3V | 5V | 6V | 7V | 8V | 9V | 10V |



# SUPPLY AIR UNIT

## SAU 250 B3 EC

- An insulated supply air unit with circular connections.
- Designed to provide a comfortable indoor climate with controlled heating and filtered, clean air.
- The unit has an external control unit for operating and to preset the required temperature as well as monitor the unit's status.
- Low sound level, high operating reliability and provides clean indoor air.
- Comes with Modbus communication via RS485 as standard.
- Comes complete with filter, fan, duct sensor and electrical heater as standard.

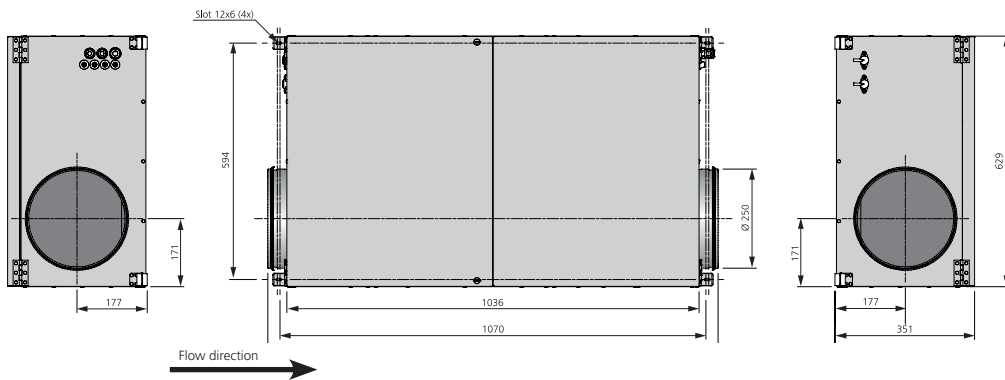
- Airflow is generated by a silent radial fan with EC motor, impeller with backward curved blades.
- The fan house and impeller is easy to clean.
- Comes with filter ISO ePM1 50% as standard. The filter is very easy to change.
- Duct connections are equipped with rubber seals.
- The unit is constructed from galvanized steel sheet and insulated with an easy to clean 30 mm fiberglass.
- For placement in warm or cold areas.

### ACCESSORIES

- Filter ISO ePM2.5 60%
- Remote control
- Antenna
- Control unit
- Room sensor Temp
- Carbon dioxide sensor CO2
- Humidity sensor RH
- Duct sensor
- Extension cable, antenna
- Silencer LDC 250
- Mounting clamp MK 250, simplifies connection to duct and absorbs vibrations.
- Back draught shutter RSK 250
- Safety grille BSR/BSV 250
- Louvre shutters VK 250



### DIMENSIONS (mm)



Capacity

1 = Single phase 3 = 3-Phase

Duct connection (mm)

EC = Fans with low-energy motors

| Type          | Art.no. |
|---------------|---------|
| SAU 250 B3 EC | 8000067 |

**SAU 250 B3 EC**



# SUPPLY AIR UNIT

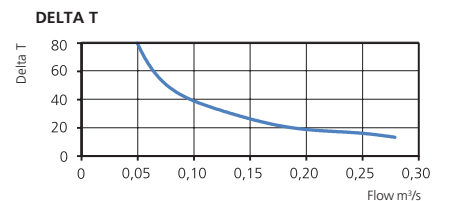
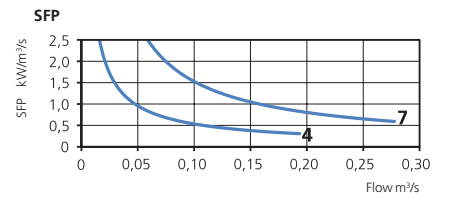
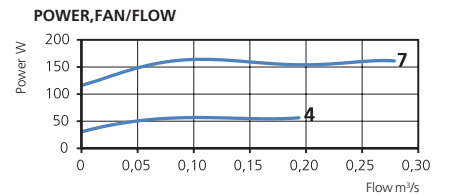
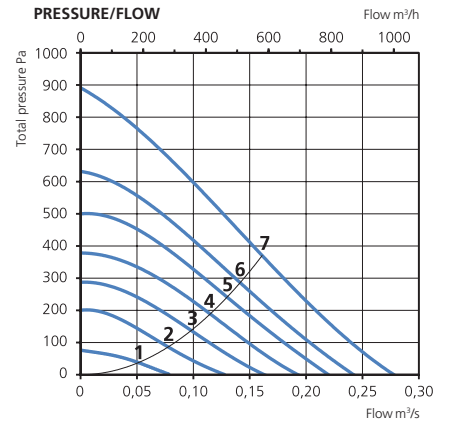
## SAU 250 B3 EC

### TECHNICAL DATA

| SAU 250 B3 EC                |                       |
|------------------------------|-----------------------|
| Voltage                      | 400 V                 |
| Voltage, range               | 220-240 V             |
| Frequency                    | 50 Hz                 |
| Phase                        | 3 ~                   |
| Total current                | 13.9 A                |
| Power, fans                  | 166 W                 |
| Power, electric heater       | 5000 W                |
| Total power                  | 5180 W                |
| Speed                        | 2970 rpm              |
| Capacitor                    | - μF                  |
| Max. temp of transported air | 45 °C                 |
| Sound pressure level, 3 m    | 41 dB L <sub>PA</sub> |
| Weight                       | 36.1 kg               |
| Wiring diagram               | 4040207               |

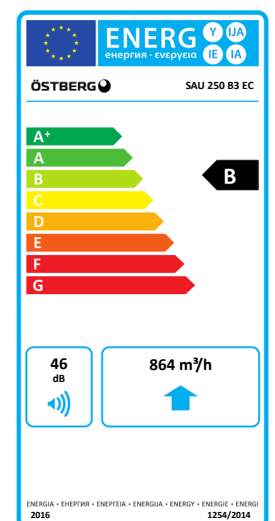
### SOUND DATA (dB)

|                       | Total (L <sub>wa</sub> ) | 63 Hz | 125 Hz | 250 Hz | 500 Hz | 1k Hz | 2k Hz | 4k Hz | 8k Hz |
|-----------------------|--------------------------|-------|--------|--------|--------|-------|-------|-------|-------|
| <b>10 V / 161 l/s</b> |                          |       |        |        |        |       |       |       |       |
| Surrounding           | 49                       | 40    | 36     | 48     | 40     | 35    | 32    | 32    | 29    |
| Outlet                | 70                       | 63    | 56     | 66     | 61     | 62    | 58    | 57    | 50    |
| Inlet                 | 58                       | 53    | 53     | 54     | 43     | 41    | 40    | 38    | 31    |
| <b>8 V / 142 l/s</b>  |                          |       |        |        |        |       |       |       |       |
| Surrounding           | 47                       | 30    | 33     | 46     | 37     | 32    | 30    | 30    | 27    |
| Outlet                | 67                       | 51    | 52     | 64     | 60     | 59    | 54    | 54    | 46    |
| Inlet                 | 54                       | 48    | 45     | 52     | 38     | 38    | 36    | 36    | 27    |
| <b>7 V / 132 l/s</b>  |                          |       |        |        |        |       |       |       |       |
| Surrounding           | 46                       | 27    | 31     | 45     | 35     | 30    | 28    | 27    | 26    |
| Outlet                | 65                       | 49    | 50     | 62     | 58     | 56    | 52    | 52    | 42    |
| Inlet                 | 54                       | 45    | 43     | 52     | 35     | 35    | 34    | 34    | 23    |
| <b>6 V / 115 l/s</b>  |                          |       |        |        |        |       |       |       |       |
| Surrounding           | 46                       | 30    | 31     | 45     | 34     | 29    | 26    | 26    | 26    |
| Outlet                | 64                       | 45    | 48     | 62     | 55     | 52    | 50    | 48    | 36    |
| Inlet                 | 53                       | 42    | 41     | 52     | 34     | 32    | 32    | 30    | 18    |
| <b>5 V / 98 l/s</b>   |                          |       |        |        |        |       |       |       |       |
| Surrounding           | 40                       | 22    | 27     | 39     | 30     | 26    | 24    | 25    | 26    |
| Outlet                | 58                       | 42    | 45     | 56     | 49     | 48    | 46    | 41    | 29    |
| Inlet                 | 53                       | 39    | 37     | 53     | 31     | 28    | 29    | 26    | 14    |
| <b>4 V / 79 l/s</b>   |                          |       |        |        |        |       |       |       |       |
| Surrounding           | 34                       | 20    | 27     | 28     | 26     | 25    | 22    | 25    | 26    |
| Outlet                | 51                       | 40    | 45     | 46     | 43     | 42    | 40    | 32    | 20    |
| Inlet                 | 43                       | 36    | 40     | 37     | 25     | 22    | 23    | 19    | 12    |
| <b>2 V / 52 l/s</b>   |                          |       |        |        |        |       |       |       |       |
| Surrounding           | 32                       | 17    | 20     | 23     | 22     | 24    | 22    | 25    | 26    |
| Outlet                | 42                       | 30    | 37     | 37     | 33     | 30    | 24    | 22    | 14    |
| Inlet                 | 35                       | 26    | 32     | 30     | 17     | 13    | 16    | 15    | 12    |



### TRANSFORMER STEPS

| 1  | 2  | 3  | 4  | 5  | 6  | 7   |
|----|----|----|----|----|----|-----|
| 2V | 4V | 5V | 6V | 7V | 8V | 10V |







## AIR HANDLING UNITS

### ENERGY RECOVERY UNITS

|   |    |
|---|----|
| <b>HERU®K</b> .....   | 12 |
| Kitchen unit with energy recovery for installation above the kitchen stove.<br>HERU®K is available with EC motors.<br>Airflows up to 325 m <sup>3</sup> /h (0.9 m <sup>3</sup> /s). |    |
| <b>HERU®T</b> .....   | 14 |
| Unit with energy recovery and top connections.<br>HERU®T is available with AC and EC motors.<br>Airflows up to 4300 m <sup>3</sup> /h (1.2 m <sup>3</sup> /s).                      |    |
| <b>HERU®LP</b> .....  | 36 |
| Low profile unit with energy recovery and side connections.<br>HERU®LP is available with EC motors.<br>Airflows up to 375 m <sup>3</sup> /h (0.10 m <sup>3</sup> /s).               |    |
| <b>HERU®S</b> .....   | 40 |
| Unit with energy recovery and side connections.<br>HERU®S is available with AC and EC motors.<br>Airflows up to 4300 m <sup>3</sup> /h (1.2 m <sup>3</sup> /s).                     |    |

### SUPPLY AIR UNITS

|  |    |
|--|----|
| <b>SAU</b> .....   | 62 |
| SAU supply air unit is designed to provide a comfortable indoor climate with controlled heating and clean, filtered air.<br>SAU is available with AC and EC motors.<br>Airflows up to 1000 m <sup>3</sup> /h (0.28 m <sup>3</sup> /s). |    |

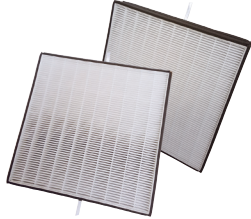
### ACCESSORIES

|  |    |
|--|----|
| <b>HERU® ASSESSORIES</b>                       |    |
| <b>FILTER</b> .....                            | 82 |
| <b>FEET - NOVIBRA MATS - FLOOR STAND</b> ..... | 83 |
| <b>CEILING MOUNTING PLATE</b> .....            | 83 |
| <b>FRONT COVER</b> .....                       | 83 |
| <b>OUTSIDE WALL HOOD</b> .....                 | 84 |
| <b>CONTROL KIT</b> .....                       | 85 |
| <b>CONTROL SYSTEM SIEMENS CLIMATIX</b> .....   | 85 |
| <b>HEATERS</b> .....                           | 86 |
| <b>COOLING COILS</b> .....                     | 86 |
| <b>RELAY PUMP CONTROL</b> .....                | 86 |
| <b>PRESSURE SENSOR KIT</b> .....               | 87 |
| <b>DAMPERS</b> .....                           | 87 |
| <b>FLOW METERS</b> .....                       | 87 |
| <b>FILTER MONITORING</b> .....                 | 87 |
| <b>SHUNT</b> .....                             | 87 |
| <b>WATER TRAP</b> .....                        | 87 |
| <b>SAU ACCESSORIES</b>                         |    |
| <b>FILTER</b> .....                            | 88 |
| <b>FAN CONTROL UNITS</b> .....                 | 88 |
| <b>CONTROL KIT</b> .....                       | 88 |
| <b>REMOTE CONTROL</b> .....                    | 89 |
| <b>ANTENNA</b> .....                           | 89 |
| <b>CONTROL UNIT</b> .....                      | 89 |
| <b>OTHERS ACCESSORIES</b>                      |    |
| <b>SENSORS</b> .....                           | 90 |
| <b>EXTENSION CABLE, ANTENNA</b> .....          | 90 |
| <b>SILENCERS</b> .....                         | 91 |
| <b>MOUNTING CLAMP</b> .....                    | 91 |
| <b>BACK DRAUGHT SHUTTERS</b> .....             | 91 |
| <b>SAFETY GRILLE</b> .....                     | 91 |
| <b>LOUVRE SHUTTER</b> .....                    | 91 |

# FILTER

Energy efficient air filter classes according to EN ISO 16890.

- ePM1:** Filtration efficiencies 50–95%.  
Particle size up to 1 µm.
- ePM2,5:** Filtration efficiencies 50–95%.  
Particle size up to 2.5 µm.
- ePM10:** Filtration efficiencies 50–95%.  
Particle size up to 10 µm.
- Coarse:** Filtration efficiencies not required.  
Particles all sizes.



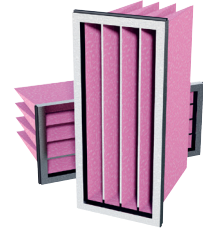
**FILTERKIT HERU® 50/90 LP AND HERU® 70 K**  
These compact filters ePM1 50% are used in the **HERU®LP** and **HERU®K** energy recovery units. The filter kit contains two filters, the same size for supply and exhaust air.

| FILTERKIT ISO ePM1 50% | Art.no. |
|------------------------|---------|
| HERU®50/90 LP          | 6000279 |
| HERU®70 K              | 6000280 |



**FILTERKIT HERU® 50-250 T**  
These compact incinerable filters ePM1 50% are used in the **HERU®T** energy recovery units. The filter kit contains two filters.

| FILTERKIT ISO ePM1 50% | Art.no. |
|------------------------|---------|
| HERU®62/65/95 T        | 6000275 |
| HERU®70 T/100 T        | 6000276 |
| HERU®115/113/140T      | 6000209 |
| HERU®160 T             | 6000277 |
| HERU®200/250 T         | 6000278 |



**FILTERKIT HERU® 50-250 S**  
These bag filters ePM1 65% are used in the **HERU®S** energy recovery units. The filter kit contains two filters, the same size for supply and exhaust air.

| FILTERKIT ISO ePM1 65% | Art.no. |
|------------------------|---------|
| HERU®50/75/100 S       | 6000211 |
| HERU®130 S             | 6000214 |
| HERU®180/250 S         | 6000218 |



**FILTER HERU® 50-250 S**  
These bag filters ePM Coarse 80%, are used in the **HERU®S** energy recovery units. They are supplied individually, the same for both supply and exhaust air.

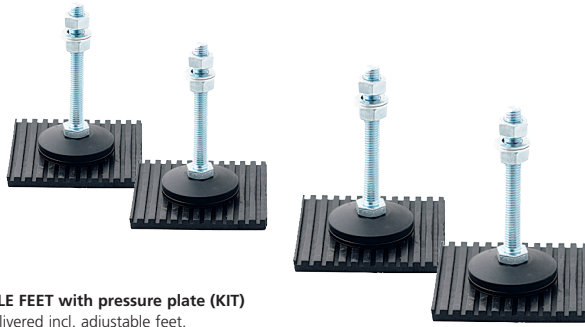
| FILTER ISO ePM Coarse 80%         | Art.no. |
|-----------------------------------|---------|
| HERU®50/75/90/100S, 2 pc per unit | 1250123 |
| HERU®130S, 2 pc per unit          | 1250146 |
| HERU®180/250S, 2 pc per unit      | 1250134 |



**FILTER HERU® 400-1200T/S**  
These bag filters, are used in the **HERU®T** and **S** energy recovery units. They are supplied individually.

| FILTER ISO ePM1 65%                     | Art.no.   |
|---|-----------|
| HERU®400 & 600 T, 4 pc per unit         | 993030511 |
| HERU®400 & 600 S, 4 pc per unit         | 993030063 |
| HERU®800 & 1200 T (total 4 pc per unit) | 993030513 |
| (2 for supply and 2 for exhaust air)    | 993030515 |
| HERU®800 & 1200 S, 4 pc per unit        | 993030513 |

## FEET



**ADJUSTABLE FEET with pressure plate (KIT)**  
HERU® is delivered incl. adjustable feet.  
Adjustable feet to balance the unit against uneven ground.  
Also used for raising the unit to facilitate cleaning.  
Adjustable from 20 to 100 mm.

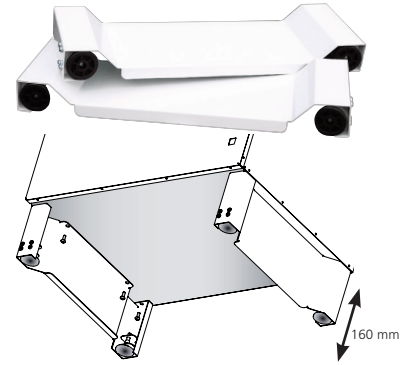
| Type                                 | Art.no.   |
|--------------------------------------|-----------|
| HERU®200/250 T (Kit 4 pc)            | 994060009 |
| HERU®400/600/800/1200 T/S (Kit 8 pc) | 994060010 |

## NOVIBRA MATS

**NOVIBRA MATS (KIT)**  
Double Novibra mat with transversal grooves.  
Thickness 8 mm. Excl. adjustable feet.

| Type                                 | Art.no.   |
|--------------------------------------|-----------|
| HERU®200/250 T (Kit 4 pc)            | 994060006 |
| HERU®400/600/800/1200 T/S (Kit 8 pc) | 994060007 |

## FLOOR STAND



**FLOOR STAND HERU®T**  
Floor stand for HERU®T, with adjustable feet to ensure the unit remains stable even on uneven surfaces.  
Easy to set up.

| Type                          | Art no. |
|-------------------------------|---------|
| Floor stand HERU®160 T, white | 8010400 |

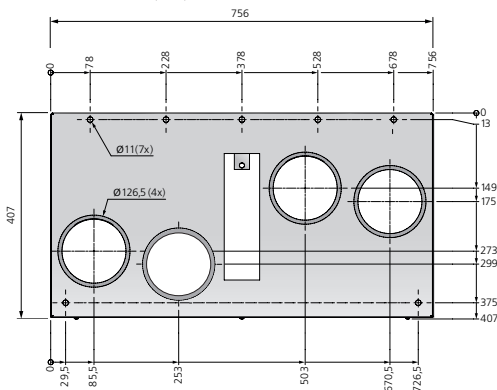
## CEILING MOUNTING PLATE

### CEILING MOUNTING PLATE

Use the ceiling mounting plate for a smoothly pre-assemble in the ventilation system.  
It is then easy to install HERU®70 T and HERU®100 T EC on site. Only the wall plug, antenna and duct sensor need to be installed.  
The ceiling mounting plate does not have a cooker hood connection.

| Type  | Art.no. |
|---|---------|
| Ceiling mounting plate for HERU®70 T/100 T EC | 8010476 |

### DIMENSIONS (mm)



## FRONT COVER

### FRONT COVER

Front cover for HERU®K, plain white in sheet metal, as an option for the kitchen hatch.

| Type                      | Art.no. |
|---------------------------|---------|
| Front cover for HERU®70 K | 6010542 |



# OUTSIDE WALL HOOD

## OUTSIDE WALL HOOD

The outside wall hood from Östberg is a fresh air and exhaust air diffuser for wall mounting. The outside wall hood is used to bring fresh air in from below through a wire mesh grille. The exhaust air is transported horizontally out through a wire mesh grille on the front of the outside wall hood. This design prevents short-circuiting of fresh air and exhaust air.

It also effectively prevents the evacuation of water in the fresh air. The outside wall hood is mounted on the outer wall and is reversible for right- and left-hand mounting. The outside wall hood is made of weather-resistant, powder-coated galvanized steel and is available in black or white.



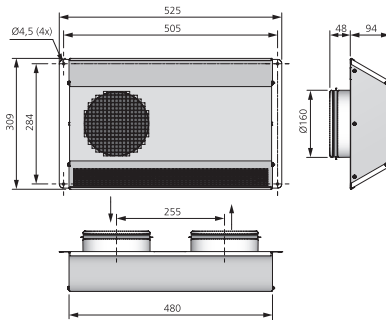
| Type                          | Art.no. |
|-------------------------------|---------|
| Outside wall hood Ø 160 Black | 8200101 |
| Outside wall hood Ø 160 White | 8200102 |
| Outside wall hood Ø 200 Black | 8200103 |
| Outside wall hood Ø 200 White | 8200104 |

### TECHNICAL DATA

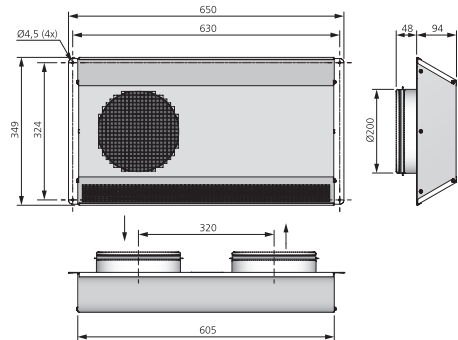
**Weight**    **Ø 160:** 3,6 kg    **Ø 200:** 4,7 kg

### DIMENSIONS (mm)

#### OUTSIDE WALL HOOD Ø 160

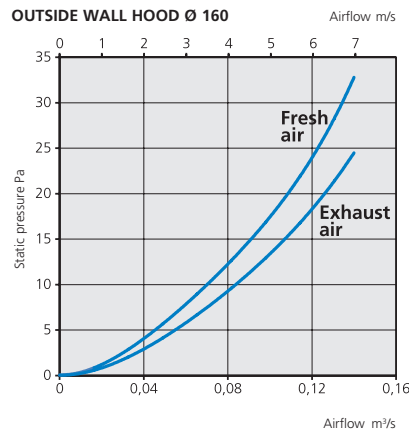


#### OUTSIDE WALL HOOD Ø 200

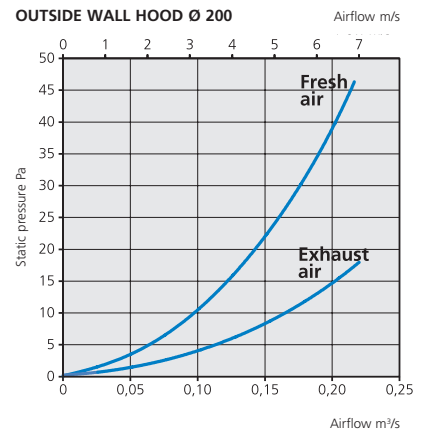


### PRESSURE DROP

#### OUTSIDE WALL HOOD Ø 160



#### OUTSIDE WALL HOOD Ø 200



## CONTROL KIT

**CONTROL KIT: Remote Ctrl + Ctrl Board + Antenna**  
HERU® up to size 250 T/S is remote-controlled using the included wireless control unit (remote control), which monitors and controls the ventilation in the building. There are also a number of other needs-based and practical functions.

For easy handling, the remote control should be placed in a central location, such as in the hall. It has a range of up to 50 metres and works through walls and ceilings.

There is a Control Kit that contains a remote control, control board and antenna. These are also available as separate parts.

The control board is hardware for Modbus, but the function is disabled by default. It can be activated with a Modbus-compatible remote control, which is then synchronized with the unit and simplifies activation with the Modbus functions. All HERU® units come prepared for Modbus communication via RS485.

**CONTROL FUNCTIONS**

The wireless control unit is used to set all parameters for the control functions such as:

- Desired fan speed.
- Desired supply, room or extract air temperature.
- Electric heater settings.
- Time for airflow boost.
- Pressure compensation when using a wood-burning stove or open fireplace.
- Installation of weekly clock for periodic fluctuations in fan speeds.
- Summer cooling, airflow boost without heat recovery.

**INFORMATION**

The wireless control unit can provide information on current status (requires additional accessories in some cases) such as:

- Current temperature efficiency.
- Temperature of fresh, extract, exhaust and indoor air after the heat exchanger.
- Temperature in the supply air duct.
- Fan speeds.
- If the rotating heat exchanger is running.
- Heating/cooling demands.
- Carbon dioxide level/relative air humidity (if sensor is connected).
- If pressure compensation is on/off.
- If boost is on/off.
- Day and time

**ALARM**

Examples of alarms shown:

- Filter change.
- Error message for rotating heat exchanger.
- Low air supply temperature.
- Smoke detector triggered.
- Freeze protection for Heater kit, water triggered.

**MODBUS**

We have chosen Modbus communication for HERU® because it is a global standard, easy to implement in its own systems and offers many options for configuration with other systems.

Modbus offers a number of options for communication. These range from a single computer monitoring one unit, to a complete BMS system monitoring an entire building or several buildings at the same time. The MODBUS function requires Modbus remote control (additional accessory)

| Type                             | Art.no. |
|----------------------------------|---------|
| Control Kit incl. remote control |         |
| + control board + antenna        | 4020452 |
| Remote control                   | 4020454 |
| Remote control 3.08 incl. Modbus | 4020554 |
| Control board                    | 4020453 |
| Antenna 1.5 m                    | 4020552 |
| Extension cable for antenna 10 m | 6010011 |

**CONTROL SYSTEM: Siemens Climatix**

HERU® from size 400 T/S onward is available with or without a control system. The unit can be ordered without a control system. For this option, the electricity to the fans and rotor motor is routed to a terminal block in the electrical box, requiring on-site installation by an electrician.

If you choose a unit with a control system, we offer Siemens Climatix for many functions and communication options. The control and regulation system sends prompt alarms if the unit stops and for other unforeseen events. This service-friendly solution enables stops to be rectified quickly, minimizing consequences for the occupants of the premises.

Integrated control equipment in the unit: Modbus communication, efficiency measurement and 1-3 fan speeds are standard.

**CONTROL FUNCTIONS**

The wireless control unit is used to set all parameters for the control functions, such as:

- Temperature regulation. The supply air temperature sensor maintains the supply air temperature through sequential regulation. The supply air setpoint is outside-temperature compensated according to the set curve.
- Extract air control/room control. The extract air temperature sensor maintains the extract air temperature through sequential regulation. The supply air temperature sensor limits the supply air temperature according to minimum and maximum settings. The extract air setpoint is outside-temperature compensated according to a set curve. If the extract air sensor is replaced with or supplemented with a room sensor, room control is achieved.
- Airflow regulation. Fixed fan speed, one to four speeds. The setpoint for one to four speeds is set using the control unit. A timing channel is used to switch between the speeds.
- Pressure regulation. Pressure regulation, supply air fan, extract air fan (VAV control) The pressure in the supply and extract air ducts is kept constant via pressure sensors and speed control of the fans.
- Air quality (CO<sub>2</sub>) control fans. When the CO<sub>2</sub> sensor (room or duct sensor) exceeds the setpoint, the air volume is increased until the setpoint is reached.



- Humidity regulation (Rh) control fans. When the Rh sensor (room or duct sensor) exceeds the setpoint, the air volume is increased until the setpoint is reached.
- Rotating heat exchanger. The heat exchanger power is regulated in sequence with the heating and cooling coil rotation speed. The rotation speed and the recover rate are controlled by the heat exchanger's internal control unit.
- Efficiency measurement HEAT EXHANGER. Temperature efficiency rate is measured over the heat exchanger when the control signal is 100%.
- Electric Heater kit, water. Electrical heater power is regulated in sequence with the heat exchanger and cooling coil. Requisite control equipment for power regulation is integrated in the air heater. The electrical heater is cooled during regular stops of the unit.
- Heater kit, water. Heater kit, water power is regulated in sequence with the heat exchanger and cooling coil. The coil is supplied with a Freeze protection sensor that forces open the valve if it detects a risk of freezing. The unit then stops and keeps the coil warm during standstill.
- Cooling coil. Cooling coil power is regulated in sequence with heat recovery and Heater kit, water.
- Night cooling. The unit starts up at night to cool the premises with fresh air.

## CONTROL SYSTEM SIEMENS CLIMATIX

- Cool recovery via rotating HEAT EXCHANGER. If cooling is needed and the fresh air temperature exceeds the extract air's set temperature, the recovery system will start up to cool the fresh air.
- Control using annual clock. The weekly schedule is a seven-day schedule for start/stop and for two- to four-speed operation with the option to set the unit for different weekend schedules.

**OPERATING INFORMATION**

Using the control unit, the following operating information can be easily read:

- The actual temperature of supply air, extract air and fresh air.
- Operating status.
- Fan status.
- Current setpoints.
- Power signals.

**ALARM AND OPERATION STATUS**

Displayed prominently on the control unit. The following events trigger status reports:

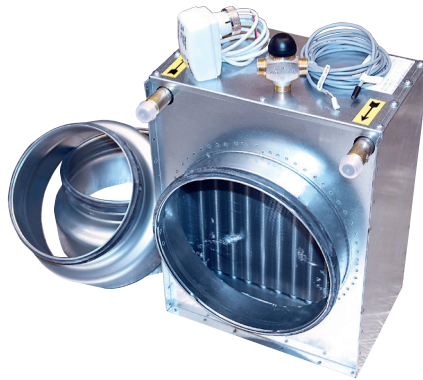
- Filter monitor. Filter monitors Supply air fan/Extract air fan. When pressure exceeds the set value for any filter monitor, an alarm will be triggered.
- Deviation from the supply air temperature's setpoint.
- Alarm from rotating heat recovery system, electrical heater, Freeze protection sensor, supply air/extract air fan, sensor error, filter monitors, external smoke/fire detectors, etc.
- The main alarm is connected to the terminal in the unit to enable further transmission.

| Type                                | Art.no.   |
|-------------------------------------|-----------|
| CLIMATIX-600 OPC licence            | 994020785 |
| CLIMATIX-600 BACnet IP, Installed   | 999051021 |
| CLIMATIX-600 LON, Installed         | 999051022 |
| CLIMATIX-600 GSM modem, Installed   | 999051024 |
| CLIMATIX-HMI-DM, ExternDisplay IP31 | 994020653 |

# HEATERS

**HEATER KIT, WATER FOR HERU® ≤ 250 T/S**  
 2 or 5 kW, incl. 2- or 3-way valve, motor and Freeze protection sensor. Duct reduction also included as needed.

| Type                                      | Art.no. |
|---|---------|
| <b>Heater Kit Water incl. 2-way valve</b> |         |
| 2,0 kW HERU®50/75/100 S                   | 8010305 |
| 2,0 kW HERU®62/70/90/100 T                | 8010306 |
| 5,0 kW HERU®130 S                         | 8010035 |
| 5,0 kW HERU®180/250 S, 200/250 T          | 8010031 |
| 5,0 kW HERU®115/140/160 T                 | 8010064 |
| <b>Heater Kit Water incl. 3-way valve</b> |         |
| 2,0 kW HERU®50/75/100 S                   | 8010403 |
| 2,0 kW HERU®62/70/90/100 T                | 8010404 |
| 5,0 kW HERU®130 S                         | 8010036 |
| 5,0 kW HERU®180/250 S, 200/250 T          | 8010032 |
| 5,0 kW HERU®115/140/160 T                 | 8010065 |

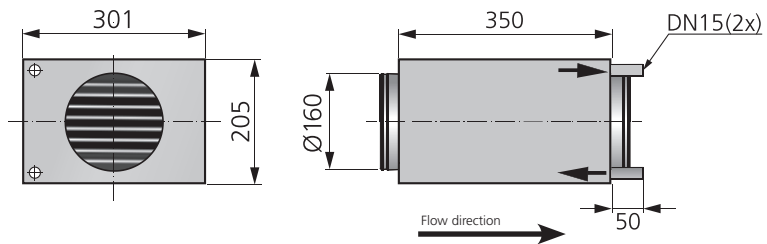


**TECHNICAL DATA**

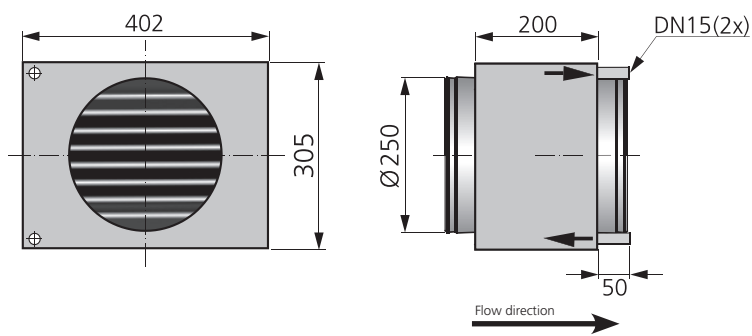
|                           |            |            |           |
|---------------------------|------------|------------|-----------|
| <b>Power:</b>             | <b>2,0</b> | <b>5,0</b> | <b>kW</b> |
| <b>Air:</b>               |            |            |           |
| <b>Airflow:</b>           | 0,10       | 0,20       | m³/s      |
| <b>Speed:</b>             | 0,10       | 0,20       | m³/s      |
| <b>Temp. in:</b>          | 10         | 10         | °C        |
| <b>Temp. out:</b>         | 27,50      | 30,50      | °C        |
| <b>Hot water:</b>         |            |            |           |
| <b>Speed:</b>             | 0,026      | 0,10       | l/s       |
| <b>Speed:</b>             | 0,37       | 0,86       | m/s       |
| <b>Temp. supply pipe:</b> | 60         | 60         | °C        |
| <b>Temp. return:</b>      | 40         | 40         | °C        |
| <b>Pressure drop:</b>     | 2,10       | 15,00      | k Pa      |

**DIMENSIONS (mm)**

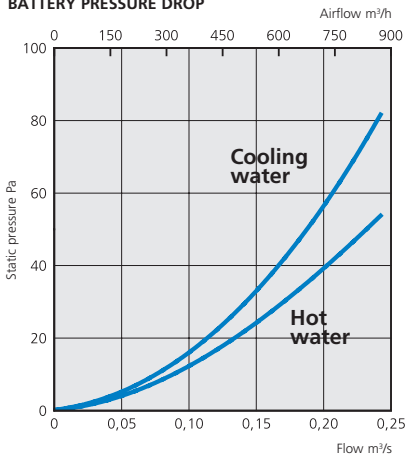
**2 kW**



**5 kW**



**BATTERY PRESSURE DROP**



# COOLING COILS

**COOLING COIL KIT FOR HERU® ≤ 250 T/S**  
 2,5 kW, incl. 2- or 3-way valve and actuator. Reducing sockets also included when needed.

| Type                                      | Art.no. |
|---|---------|
| <b>Cooling coil Kit incl. 2-way valve</b> |         |
| 2.5 kW HERU®160 T                         | 8010066 |
| 2.5 kW HERU®130 S                         | 8010037 |
| 2.5 kW HERU®180/250S, 200/250T            | 8010033 |
| <b>Cooling coil Kit incl. 3-way valve</b> |         |
| 2.5 kW HERU®160 T                         | 8010067 |
| 2.5 kW HERU®130 S                         | 8010038 |
| 2.5 kW HERU®180/250S, 200/250T            | 8010034 |

**COOLING COIL FOR HERU® ≥ 400 T/S**

Cooling coil for placement in duct, with stainless steel drip plate. Circular or rectangular connection. Please contact Östberg for more information of our wide range.

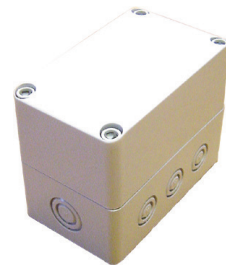


# RELAY PUMP CONTROL

**RELAY PUMP CONTROL**

Relay for pump control of heating/cooling battery.

| Type               | Art.no. |
|--------------------|---------|
| Relay pump control | 6000195 |



## PRESSURE SENSOR KIT

### DIFFERENTIAL PRESSURE SENSORS FOR HERU® ≥ 400 T/S

**QBM 68**, pressure and flow for air and non-aggressive gases.

**QBM 69** for flow and non-aggressive gases.

| Type                                    | Art.no.   |
|---|-----------|
| Differential pressure sensor QBM68 1200 | 994020910 |
| Differential pressure sensor QBM68 2500 | 994020911 |
| Differential pressure sensor QBM68 2525 | 994020913 |
| Differential Pressure sensor QBM69 2525 |           |
| +2xTemp                                 | 994020915 |



### PRESSURE SENSOR KIT FOR HERU® ≤ 250 T/S

Consists of 2 DTL pressure sensors with hose.

DTL is a transmitter for differential pressure measurement of air and non-corrosive gases in air handling units etc.

For constant pressure control.

High level of accuracy and stability.

Quick and easy mounting.

| Type                             | Art.no. |
|----------------------------------|---------|
| Pressure sensor Kit              | 6010067 |
| Pressure sensor DTL310 with hose | 4020032 |

## DAMPERS

### DAMPER MOTOR WITH SPRING RETURN

Overload protection and stop detector for efficient energy use. Used for shutting off and throttling dampers.

Sturdy, made entirely of metal and maintenance-free. Fits all mounting positions. Change the direction of rotation by simply turning the device.

| Type                           | Art.no.   |
|--------------------------------|-----------|
| Damper motor 230V              | 1220448   |
| Damper motor 7Nm 24VAC         | 993061001 |
| Damper motor 3-pos. 10Nm 24VAC | 993061004 |



### DAMPERS

Circular and rectangular dampers with motorrack for HERU® from size 400 T/S.

| Type                             | Art.no.   |
|----------------------------------|-----------|
| Damper Ø D315 with motor bracket | 993060001 |
| Damper Ø D400 with motor bracket | 993060002 |
| Damper Rect. 800x400 gejd/gejd   | 993060175 |
| Damper Rect. 1000x300 gejd/gejd  | 993060013 |
| Damper Rect. 1200x600 gejd/gejd  | 993060098 |

## FLOW METERS

### FOR HERU® ≥ 400 T/S

Analog or digital for measuring current flow.

Socket for flow meter is included and placed on top of the unit.

| Type                           | Art.no.   |
|--------------------------------|-----------|
| Flow meter Digital univ. K-fac | 994020619 |
| Flow meter Analog 0-1300 Pa    | 994090001 |
| U-pipe senso meters            | 994090001 |



## FILTER MONITORING

### FOR HERU® ≥ 400 T/S.

Accessory that help keeps control of the filter conditions in the unit.

Measuring the differential pressure over the filter for alarm, or gives information about the pressure level.

| Type                               | Art.no.   |
|------------------------------------|-----------|
| Filter guard 300 Pa, 5 m cable     | 995010011 |
| Filter guard w. Display, 5 m cable | 995010014 |
| U-pipe filter MMU, +/-500Pa        | 994090005 |

### VALVE ACTUATOR

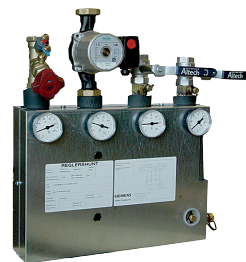
Valve actuator for HERU® ≥ 400 T/S.

To control 2-way and 3-way valves with a lift height of 5.5 mm.

Fits both cooling and heating shunts.



| Type           | Art.no.   |
|----------------|-----------|
| Valve actuator | 994030060 |



## SHUNT

### FOR HERU® ≥ 400 T/S

A traditionally welded pipe connection with a primary and secondary side, control valve, freeze protection antirainback valve, shutdown valves, adjustment valves and secondary pump – all in one unit. Features heat insulation with mineral wool or cold insulation with Armaflex.

## WATER TRAP

| Type       | Art.no.   |
|------------|-----------|
| Water trap | 994070010 |



### Water trap

Accessory for cooling coil. Plastic water trap with float valve.

Underpressure maximum 800 Pa.

Overpressure maximum 500 Pa.

## SAU ACCESSORIES

### FILTER

Energy efficient air filter classes according to EN ISO 16890.

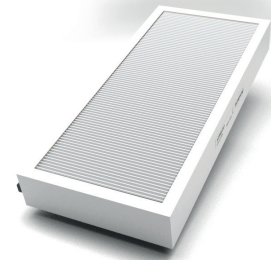
- ePM1:** Filtration efficiencies 50–95%  
Particle size up to 1 µm
- ePM2,5:** Filtration efficiencies 50–95%  
Particle size up to 2.5 µm
- ePM10:** Filtration efficiencies 50–95%  
Particle size up to 10 µm
- Coarse:** Filtration efficiencies not required  
Particles all sizes



#### FILTER SAU AC

These filters are used in the SAU AC supply air unit. There are three different filter classes to choose among.

| Type                                 | Art.no. |
|--------------------------------------|---------|
| Filter ISO ePM Coarse 65% SAU 125 AC | 1250117 |
| Filter ISO ePM Coarse 80% SAU 125 AC | 1250118 |
| Filter ISO ePM1 65% SAU 125 AC       | 1250119 |
| Filter ISO ePM Coarse 65% SAU 200 AC | 1250120 |
| Filter ISO ePM Coarse 80% SAU 200 AC | 1250121 |
| Filter ISO ePM1 65% SAU 200 AC       | 1250122 |
| Filter ISO ePM Coarse 65% SAU 250 AC | 1250135 |
| Filter ISO ePM Coarse 80% SAU 250 AC | 1250136 |
| Filter ISO ePM1 65% SAU 250 AC       | 1250137 |



#### FILTER SAU EC

These filters are used in the SAU EC supply air unit. Compact incinerable filters. The unit is delivered with filter ePM1 50% as standard. Filter ePM2.5 60% is available as an accessory.

| Type                             | Art.no. |
|----------------------------------|---------|
| Filter ISO ePM2.5 60% SAU 125 EC | 1250237 |
| Filter ISO ePM1 50% SAU 125 EC   | 1250239 |
| Filter ISO ePM2.5 60% SAU 200 EC | 1250238 |
| Filter ISO ePM1 50% SAU 200 EC   | 1250240 |
| Filter ISO ePM2.5 60% SAU 250 EC | 1250241 |
| Filter ISO ePM1 50% SAU 250 EC   | 1250242 |

### FAN CONTROL UNITS

#### FAN CONTROL UNITS FOR SAU AC

| Type  | Art.no. |
|---|---------|
| Single-phase fan control unit for SAU 125 and 200 | 6000056 |
| 3-phase fan control unit for SAU 200              | 6000057 |



### CONTROL KIT

#### CONTROL KIT FOR SAU 250 E

Complete kit that includes 2- or 3-way valve, thermal actuator, duct sensor with attachment to sensor, room temperature regulator and transformer.

| Type                    | Art.no. |
|-------------------------|---------|
| Control Kit 2-way valve | 6000149 |
| Control Kit 3-way valve | 6000124 |





## REMOTE CONTROL



### REMOTE CONTROL FOR SAU EC.

The remote control monitors and controls the ventilation in the building. There are also a number of other needs-based and practical functions.

The remote control unit is used to set all parameters for the control functions.

The remote control unit can provide information on current status (requires additional accessories in some cases).

Triggered alarms are displayed prominently.

For easy handling, the remote control should be placed in a central location, such as in the hall. It has a range of up to 50 meters and works through walls and ceilings.

If choosing the remote control, the antenna (Art.no. 4020552) is needed.

| Type           | Art.no. |
|----------------|---------|
| Remote control | 4020651 |

## ANTENNA



### ANTENNA

Antenna with 1.5 m cord.

The antenna should be mounted outside the unit.

The antenna should not be mounted against any metal area or metal items as this will shield the signal.

The antenna should be mounted as central as possible. This to achieve the best signal all over the house.

If needed an extension cord is available as an accessory.

| Type    | Art.no. |
|---------|---------|
| Antenna | 4020552 |

## CONTROL UNIT

### CONNECTION CORD

Connection cord for the control unit, 10 m.

| Type                  | Art.no. |
|-----------------------|---------|
| Connection cord, 10 m | 4020653 |



### CONTROL UNIT FOR SAU EC.

External control unit for operating and to preset the required temperature as well as monitor the unit's status.

Different modes such as Away and Normal mode can also be scheduled.

A Led light simply shows the status of the unit.

The control unit is designed to be placed recessed on the wall.

Connection cord is needed when ordering the control unit.

The SAU EC is delivered included the external control unit and connection cord as standard.

| Type         | Art.no. |
|--------------|---------|
| Control unit | 4020652 |

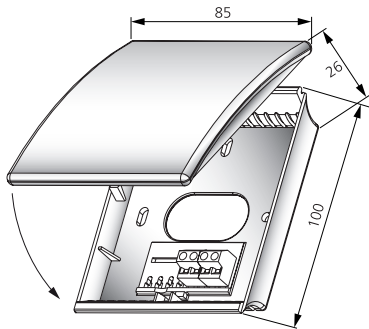
# OTHERS ACCESSORIES

## SENSORS

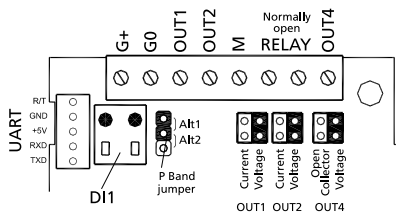


**CARBON DIOXIDE SENSOR CO2**  
 Sensor for carbon dioxide, CO2, for installation in room. It digitally measures both CO2 concentration and temperature in the ambient air. The data is transmitted to a BMS system or controller.  
 According to building regulations, the fresh air flow should be at least 7 litres/sec and person in rooms occupied by humans for any length of time.

**DIMENSIONS (mm)**

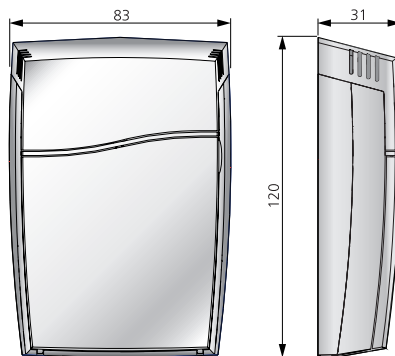


**WIRING DIAGRAM**

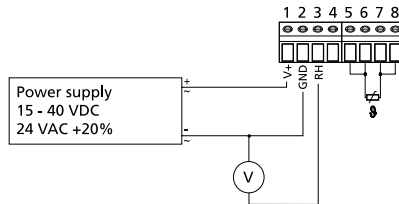


**HUMIDITY SENSOR RH**  
 Humidity sensor RH, relative humidity, for installation in room.  
 Microprocessor controlled electronics guarantee optimal accuracy. Humidity output is 4-20 mA or 0-10 V as standard.  
 The sensor is easy to install.

**DIMENSIONS (mm)**

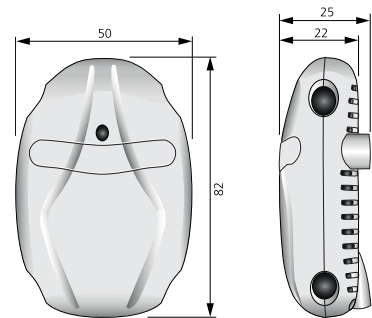


**WIRING DIAGRAM**



**ROOM TEMPERATURE SENSOR**  
 Temperature sensor for placement in the room.  
 With screw terminal block attachment for optional signal cable.

**DIMENSIONS (mm)**



| Type                             | Art.no.   |
|----------------------------------|-----------|
| Room sensor CO2                  | 4020302   |
| Room sensor CO2, HERU® ≥ 400 T/S | 994020623 |
| Room sensor RH                   | 4020301   |
| Room sensor RH, HERU® ≥ 400 T/S  | 994020621 |
| Room sensor Temp                 | 4020310   |

## DUCT SENSORS

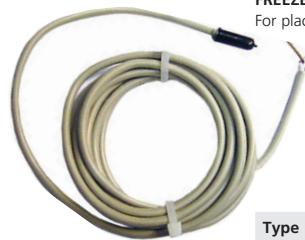
**DUCT SENSORS**  
 For measuring air temperature in ventilation ducts.

| Type                                      | Art.no.   |
|---|-----------|
| Duct sensor 1.5 m cable                   | 4020286   |
| Duct sensor CO2, HERU® ≥ 400 T/S          | 994020622 |
| Duct sensor CO2 200 ppm, HERU® ≥ 400 T/S  | 995010012 |
| Duct sensor RH, HERU® ≥ 400 T/S           | 994020620 |
| Duct sensor outdoor temp, HERU® ≥ 400 T/S | 994040507 |
| Duct sensor Pressure, HERU® ≥ 400 T/S     | 995010046 |



## FREEZE PROTECTION SENSOR

**FREEZE PROTECTION SENSOR**  
 For placement on the return pipe of the heating coil.



| Type                     | Art.no. |
|--------------------------|---------|
| Freeze protection sensor | 4020309 |

## EXTENSION CABLE, ANTENNA

**EXTENSION CABLE, ANTENNA 10 M.**

| Type                               | Art.no. |
|------------------------------------|---------|
| Extension cable for antenna, 10 m. | 6010011 |



## SILENCERS

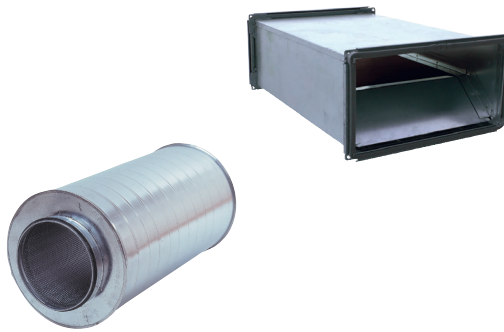
### SILENCERS

**LDC** is a circular silencer with lengths 600 mm or 900 mm in each size.

The silencer consists of a perforated duct inside, end caps and outer casing, all of galvanized steel.

The intervening space is filled with 50 mm stone wool insulation.

| Type           | Art.no. |
|----------------|---------|
| LDC 125x600 mm | 9530004 |
| LDC 125x900 mm | 9530005 |
| LDC 160x600 mm | 9530008 |
| LDC 160x900 mm | 9530009 |
| LDC 200x600 mm | 9530010 |
| LDC 200x900 mm | 9530011 |
| LDC 250x600 mm | 9530012 |
| LDC 250x900 mm | 9530013 |



|             |           |
|-------------|-----------|
| Ø315 600 mm | 993100003 |
| Ø315 900 mm | 993100004 |
| Ø400 600 mm | 993100005 |
| Ø400 900 mm | 993100006 |

### SILENCERS LDR

**LDR** is a range of rectangular silencers from the size 300x150 to 1000x500 mm.

LDR is made from galvanized steel sheet.

The baffles consist of environmentally friendly sound insulation with a durable surface layer.

| Type         | Art.no. |
|--------------|---------|
| LDR 300x150  | 9530019 |
| LDR 400x200  | 9530020 |
| LDR 500x250  | 9530021 |
| LDR 500x300  | 9530022 |
| LDR 600x300  | 9530023 |
| LDR 600x350  | 9530024 |
| LDR 700x400  | 9530025 |
| LDR 800x500  | 9530026 |
| LDR 1000x500 | 9530027 |

### MOUNTING CLAMP MK

The fan can be connected to duct with mounting clamp MK.

The mounting clamp is made of galvanized steel sheet with a rubber seal to fit tightly and absorb vibrations. The mounting clamp makes the fan easy to remove for cleaning and maintenance.

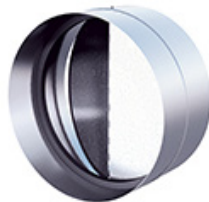


## MOUNTING CLAMP

| Type                  | Art.no. |
|-----------------------|---------|
| Mounting clamp MK 125 | 9560003 |
| Mounting clamp MK 200 | 9560006 |
| Mounting clamp MK 250 | 9560007 |

### BACK DRAUGHT SHUTTERS, RSK

RSK is used for circular ducts and is made from galvanized steel with spring-loaded lamina from aluminium.



## BACK DRAUGHT SHUTTERS

| Type                         | Art.no. |
|------------------------------|---------|
| Back draught shutter RSK 125 | 9520030 |
| Back draught shutter RSK 200 | 9520033 |
| Back draught shutter RSK 250 | 9520034 |

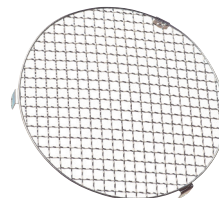
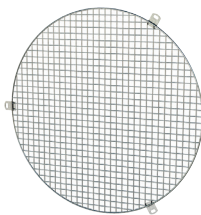
### SAFETY GRILLE BSR

BSR is a safety grille with straight lugs for mounting on flat surfaces.

Should also be used on fans that are not connected to ducts to obtain insulation class IP 44.

It is manufactured from galvanized steel mesh.

| Type                  | Art.no. |
|-----------------------|---------|
| Safety grille BSR 125 | 9520061 |
| Safety grille BSR 200 | 9520007 |
| Safety grille BSR 250 | 9520010 |



### SAFETY GRILLE BSV

BSV is a safety grille with angled lugs for mounting on ducts.

Should also be used on fans that are not connected to ducts to obtain insulation class IP 44.

BSV is manufactured from galvanized steel mesh.

| Type                  | Art.no. |
|-----------------------|---------|
| Safety grille BSV 125 | 9520003 |
| Safety grille BSV 200 | 9520008 |
| Safety grille BSV 250 | 9520011 |

## SAFETY GRILLE

### LOUVRE SHUTTERS VK

VK self-closing louvre shutters are manufactured from UV-resistant material.

They are characterized, among other things, by a very low airflow resistance.

For example 10 Pa at 4 m/s air speed, 30 Pa at 6.5 m/s and 50 Pa at 8.5 m/s.



## LOUVRE SHUTTERS

| Type                  | Art.no. |
|-----------------------|---------|
| Louvre shutter VK 125 | 9520020 |
| Louvre shutter VK 200 | 9520022 |
| Louvre shutter VK 250 | 9520023 |



energy  
efficient  
ventilation

**ÖSTBERG** 

**H. ÖSTBERG AB**

Box 54, SE-774 22 Avesta, Sweden  
Phone: +46 226 860 00  
E-mail: [info@ostberg.com](mailto:info@ostberg.com)  
[www.ostberg.com](http://www.ostberg.com)